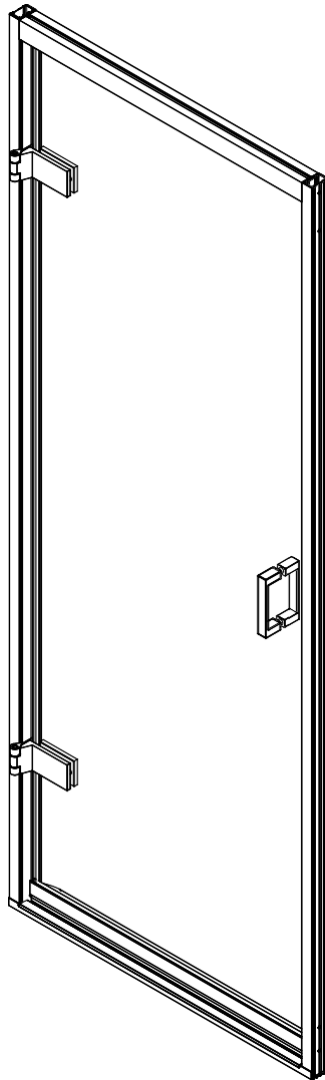


MAJESTIC

LONDON 1968



Thank you for purchasing this Ponente shower door. Please study these instructions carefully before assembly and installation.

Checking of Parts

Parts are listed at the beginning of this guide. Please check all supplied parts immediately upon receipt and contact the Majestic Shower Company in the event of any missing or damaged parts.

Handling of Parts

When handling glass, take care to ensure that corners or edges are not knocked. Do not place glass on hard surfaces - place cushioning material underneath to prevent the glass from shattering.

Unwrap all metal parts carefully to prevent damaging the plated surfaces.

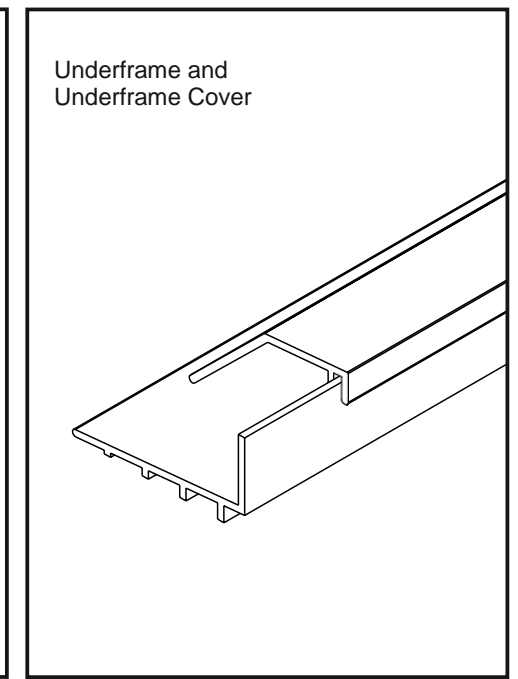
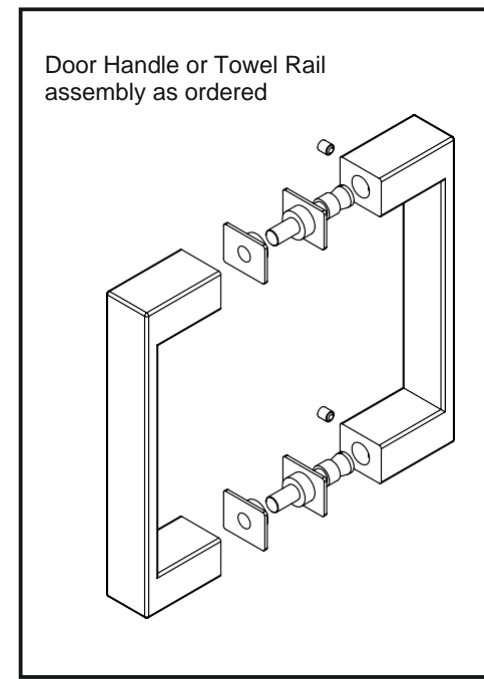
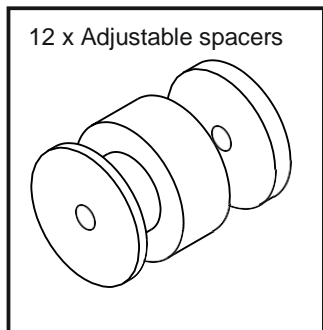
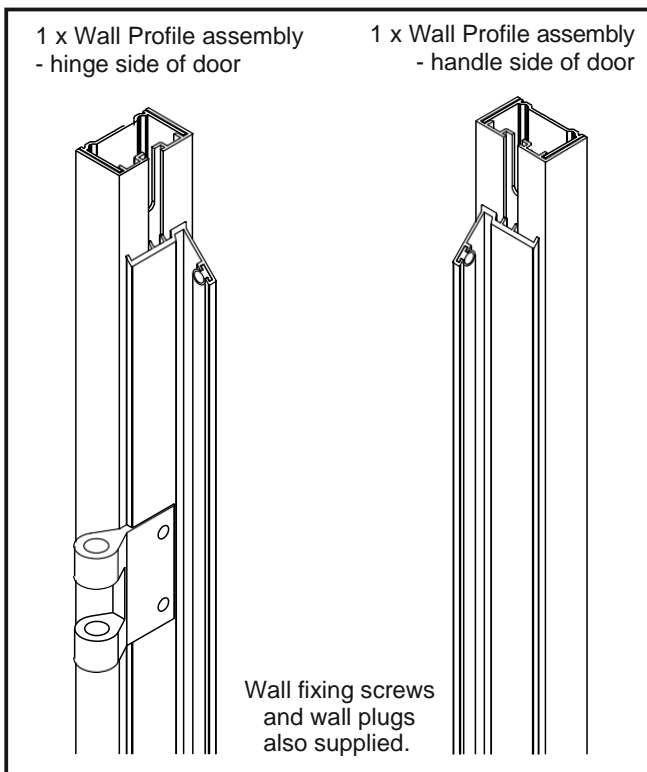
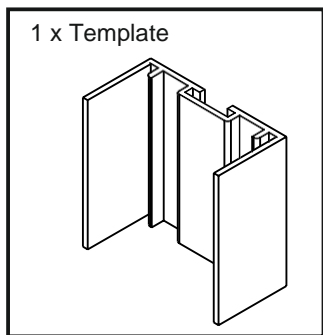
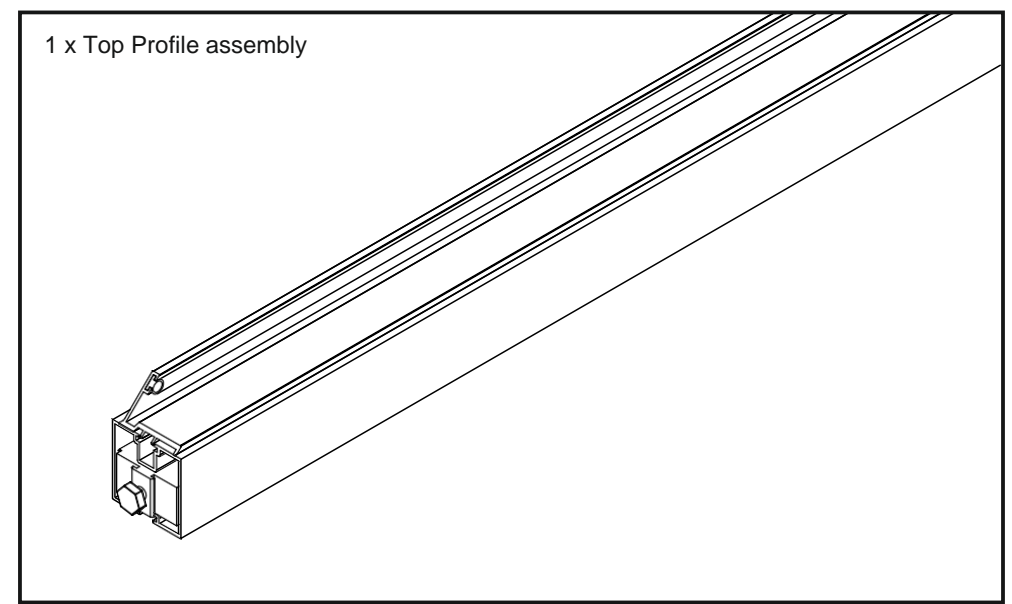
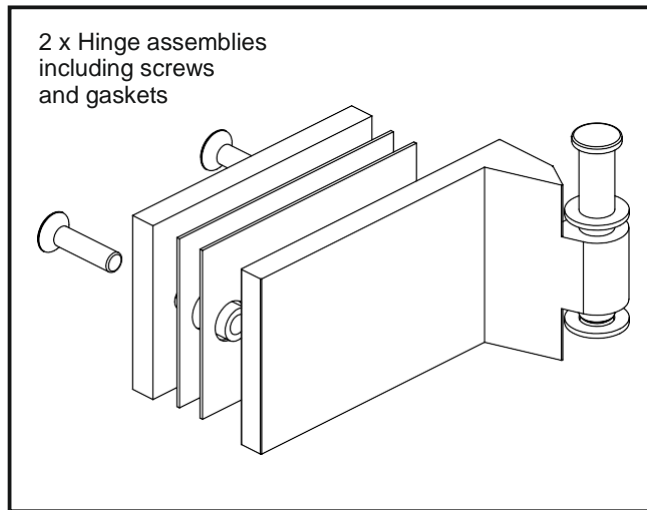
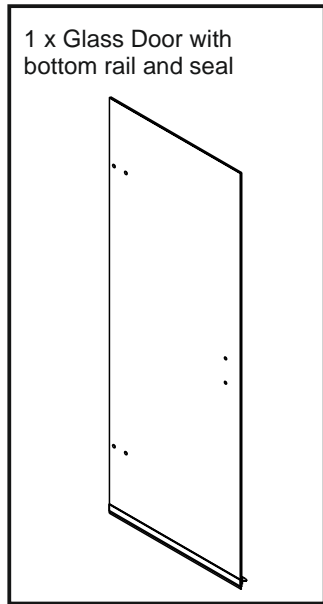
Pre Installation Checks

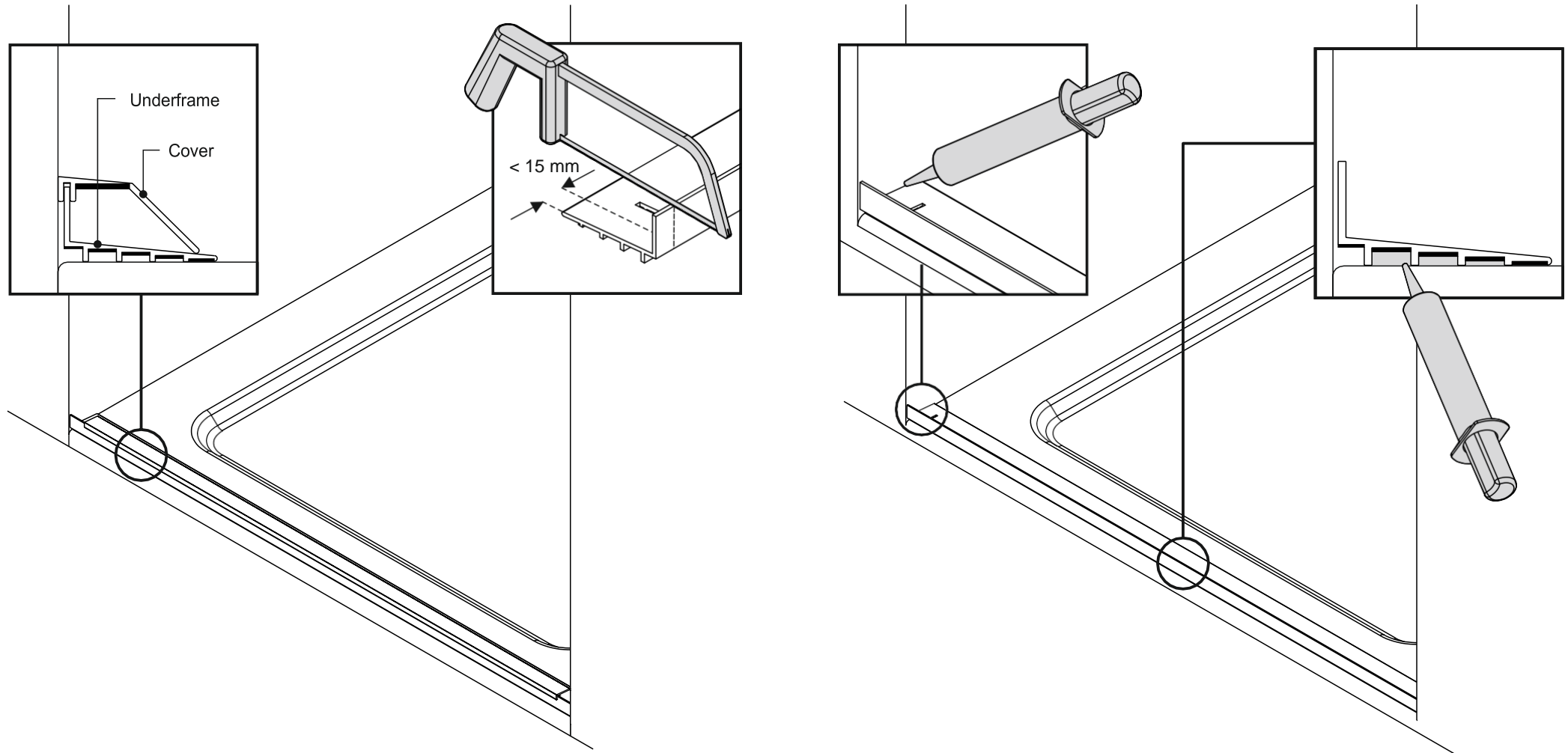
Prior to undertaking installation, check the accuracy of the following against specifications for the particular installation location:

- Verticality and flatness of the wall. A maximum of 15 mm lean in or lean out of the wall relative to the floor or tray can be accommodated by the wall profiles.
- Levelness and flatness of the floor or rim of the shower tray.



DO NOT ASSEMBLE WITHOUT FULLY READING THESE INSTRUCTIONS





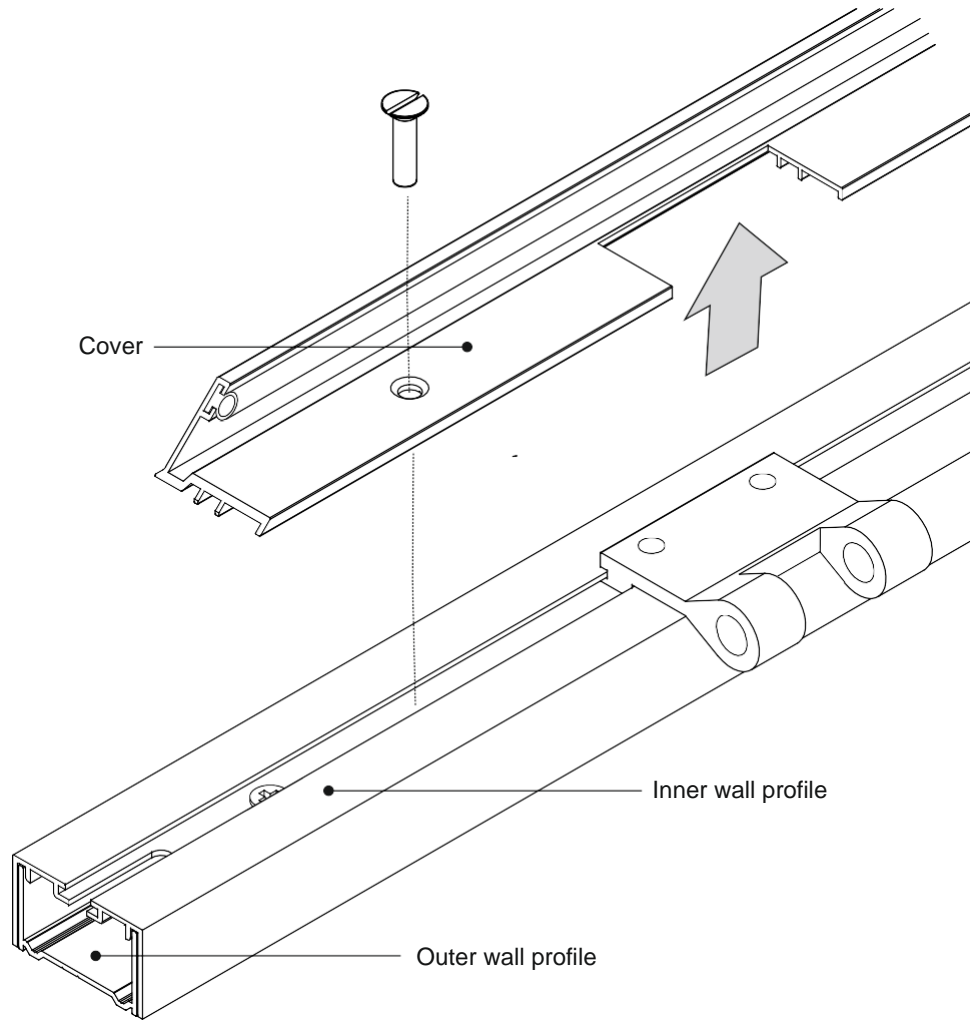
1 The Underframe is supplied over length to be trimmed to size on site.

You can trim up to a maximum of 15 mm from each end of the Underframe. So that the wall profiles will be similar width on either side of the door, it is preferable to trim an equal amount from both ends of the underframe. Cut with a junior hacksaw and file the cut ends smooth.

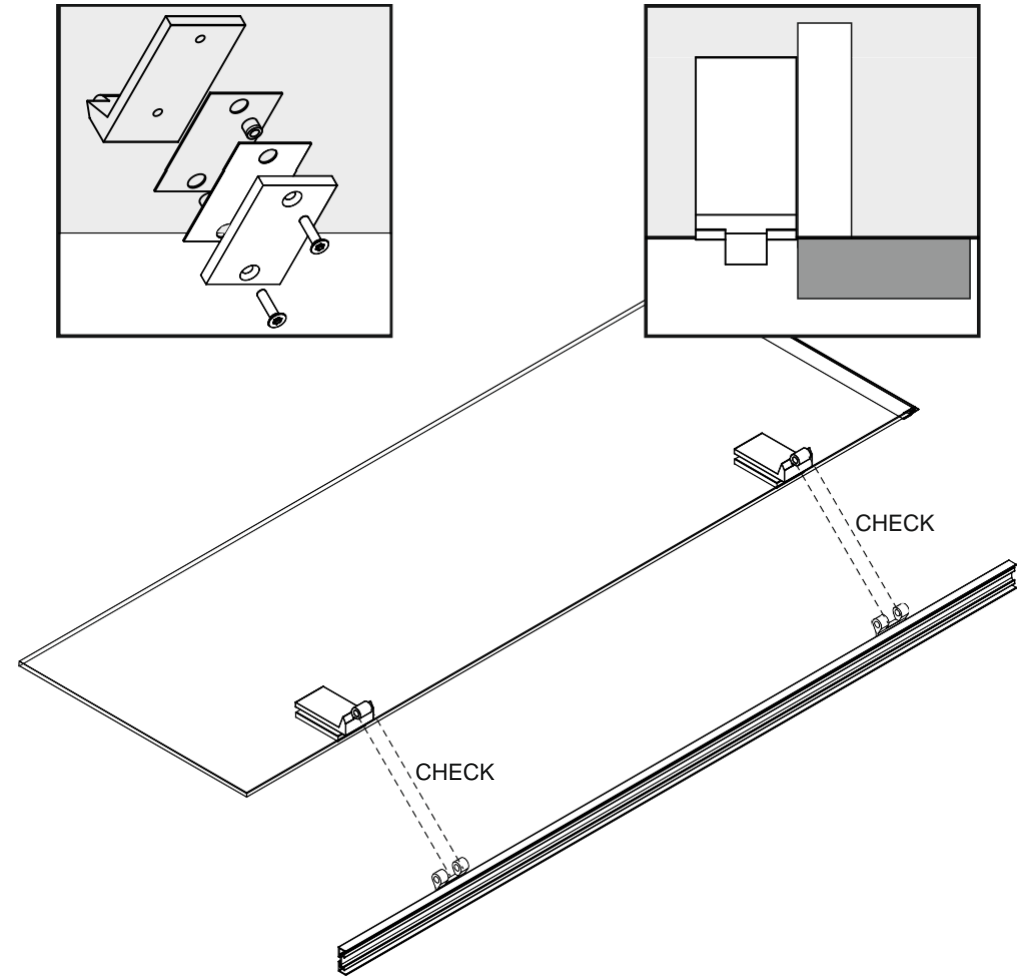
No NOT cut the Underframe Cover - this is supplied at the correct length for your door.

2 Apply a generous amount of silicone to the recesses on the underside of the Underframe and place it in position on the shower base. Hold it in position with masking tape.

Apply a fillet of silicone at each end of the Underframe to seal it against the walls.



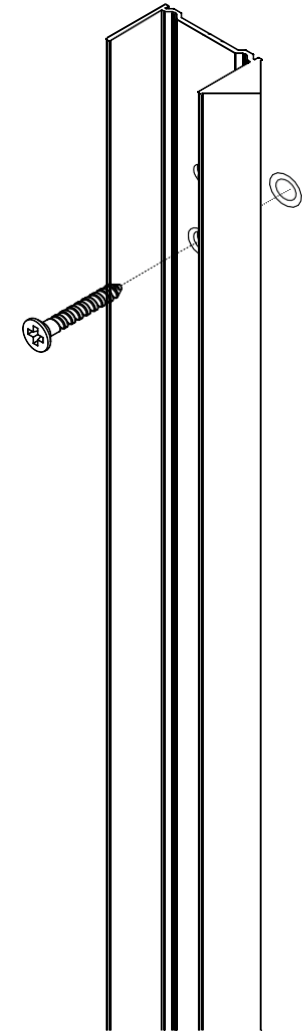
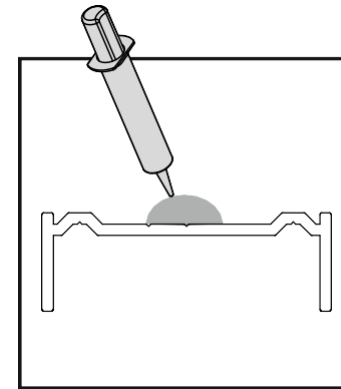
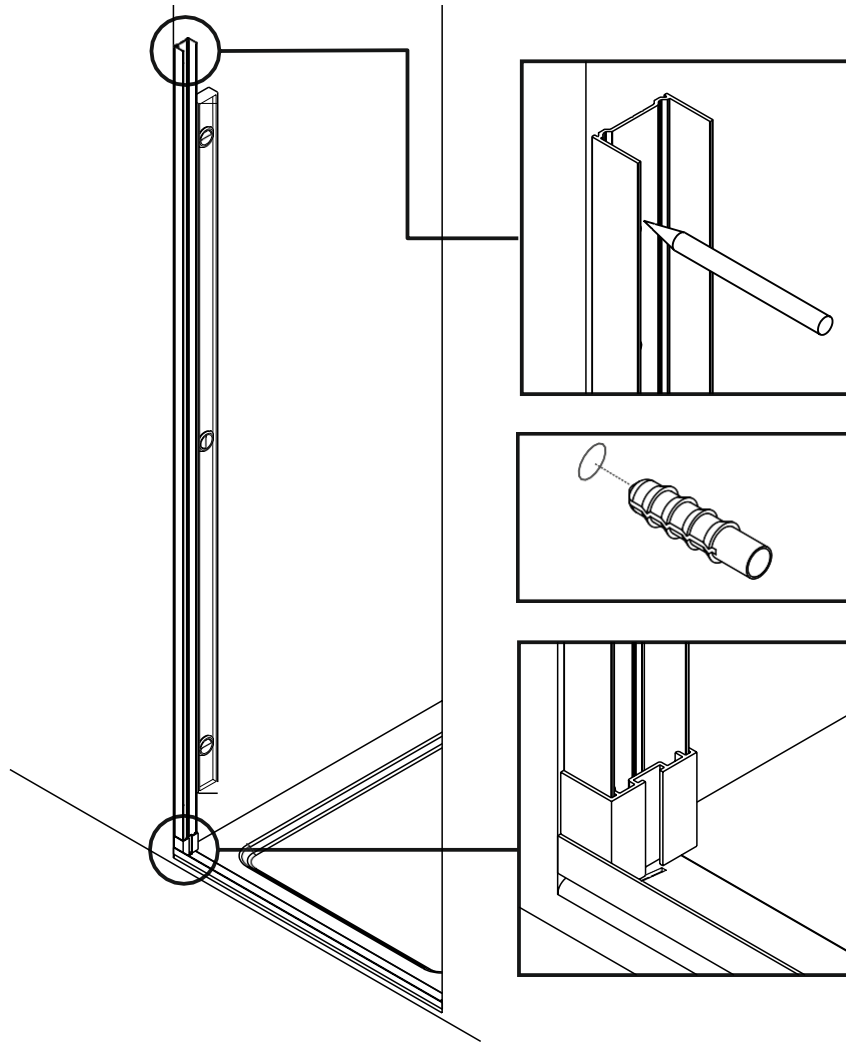
3 Unscrew and separate the covers from the wall profile assemblies as shown .



4 Lay the glass Door horizontally on cushioned trestles or similar and assemble the hinges to the glass Door as shown. Ensure that the clear plastic sleeves are fitted inside the holes in the glass and that gaskets are placed either side of the glass.

Use the wall profile cover with hinge parts attached to check the spacing between the hinges and use a set square to ensure that the hinges are correctly aligned.

Fully tighten the hinges. Leave for 10 minutes and then re-tighten to compensate for compression of the gaskets.

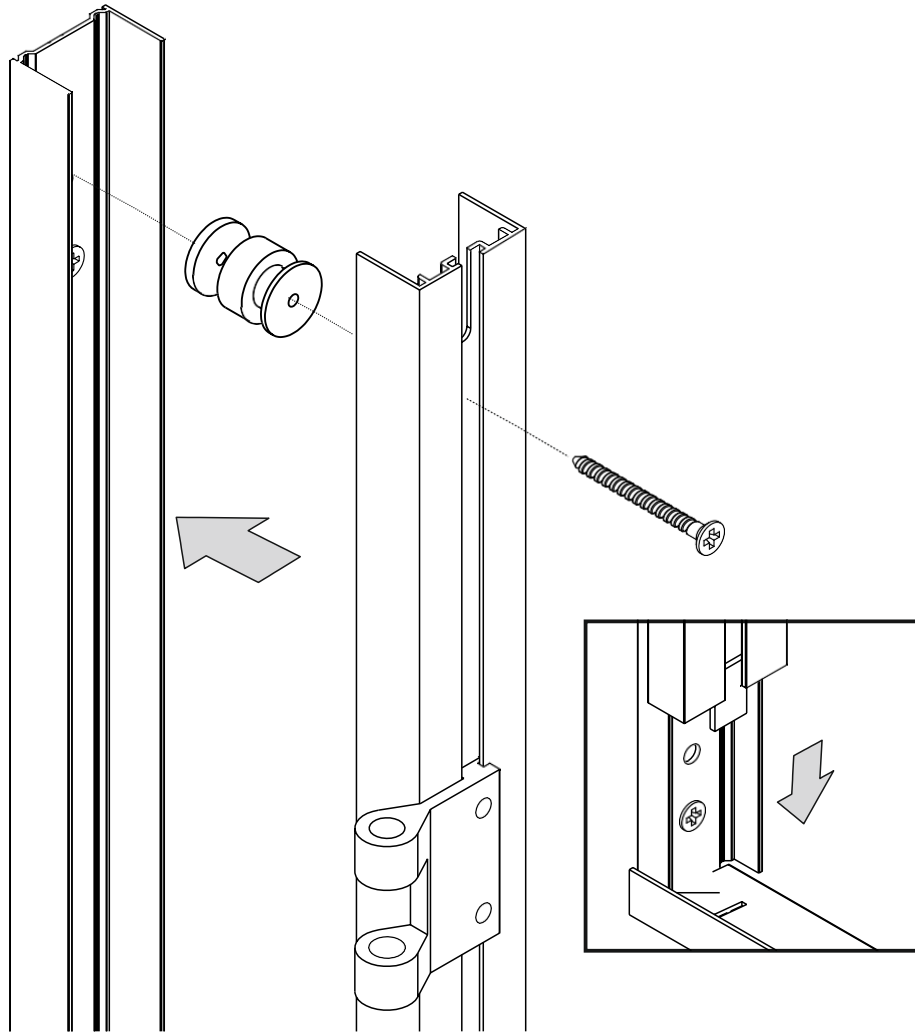


5 Place the outer wall profiles in position. Use the template provided to position the bottom of each outer profile and ensure that there is enough space between it and the Underframe for the inner wall profiles to be fitted later. Use a spirit level to ensure that the profiles are plumb vertical.

Mark all screw hole positions on the wall, and drill and fit the wall plugs provided.

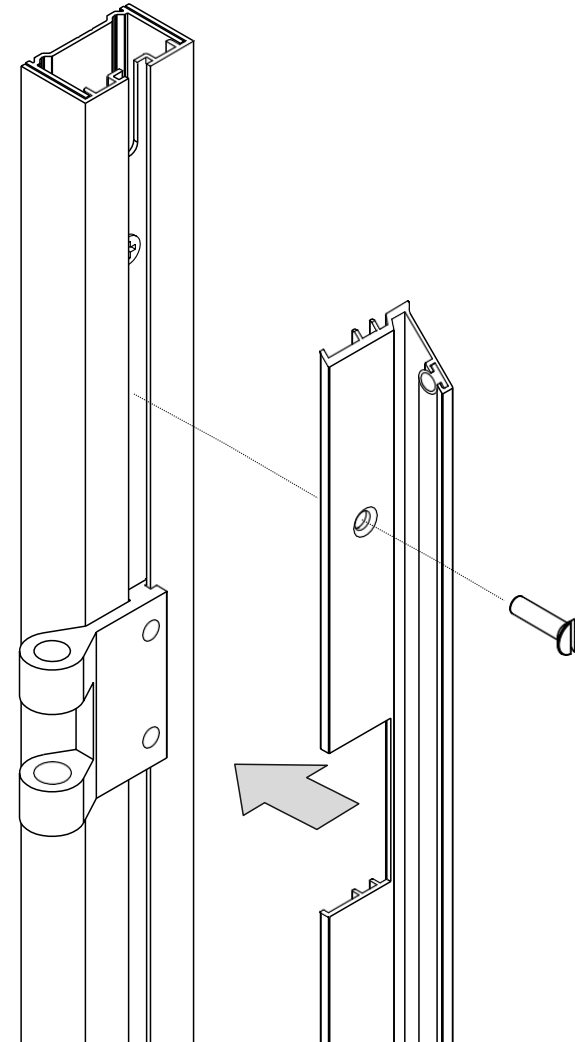
6 Run a bead of silicone down the back of the outer wall profiles as shown to ensure a waterproof seal against the wall.

Using 3 of the short (30 mm) screws supplied for each outer profile, screw the profiles to the wall at top, bottom and middle, using the countersunk holes in the profile.

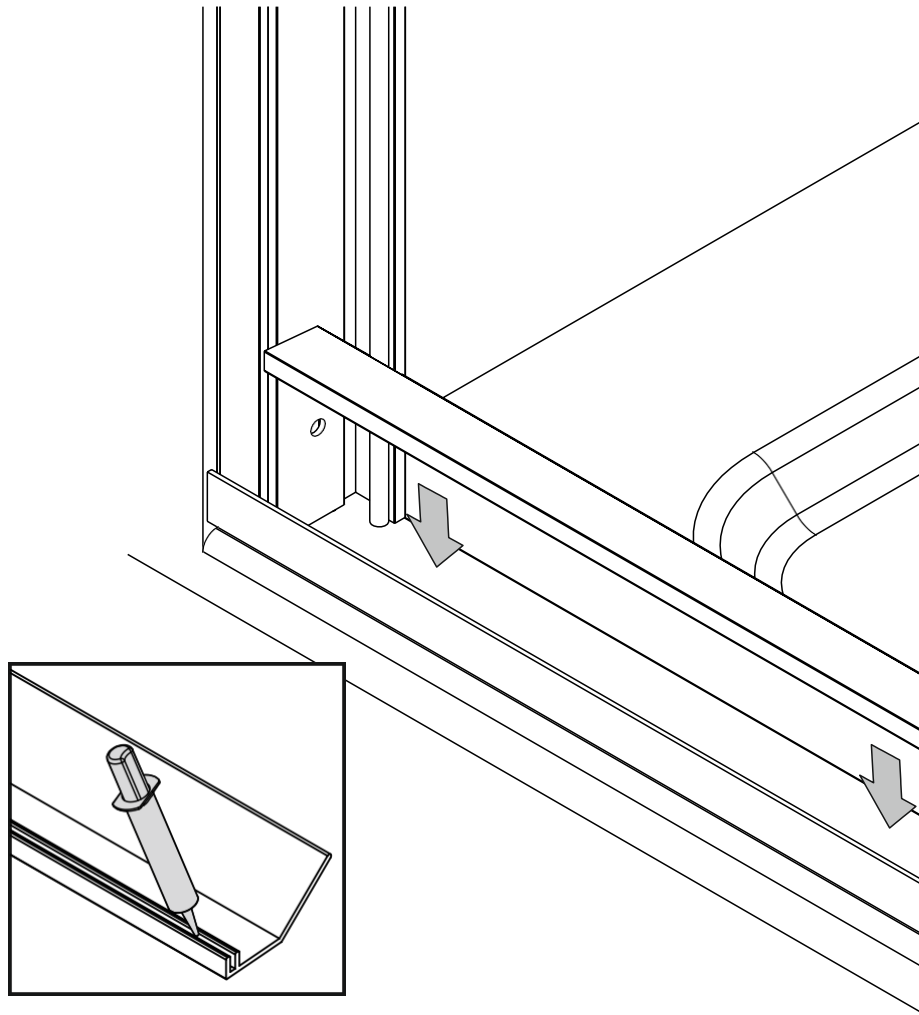


7 Assemble the inner wall profiles to the outer profiles using the longer screws provided in the remaining holes. Note that inner profiles have small metal tags protruding at the bottom which are to locate in pierced slots at each end of the underframe.

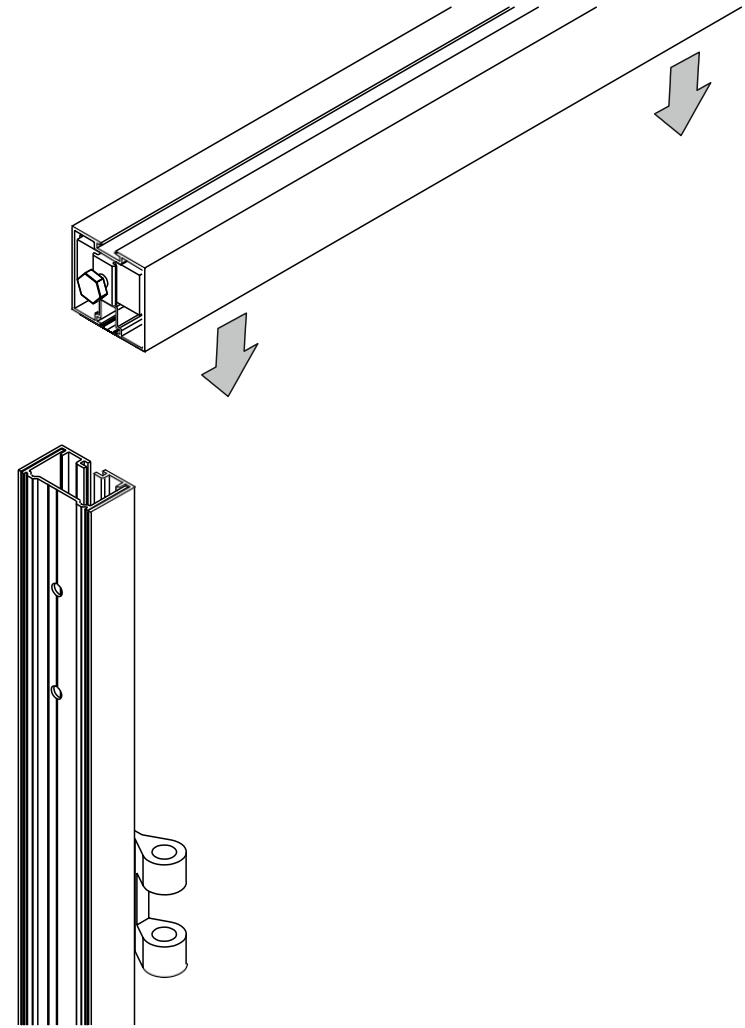
Before screwing the profiles together, place self adhesive Packers between the inner and outer profiles as required to compensate for any lean in or lean out of the walls and to ensure that the faces of the inner profiles are plumb vertical.



8 Once you are satisfied that the faces of the inner wall profiles are at 90 degrees to the shower base, fully tighten the wall screws and replace the cover plates as shown on both the hinge side and the handle side of the door.

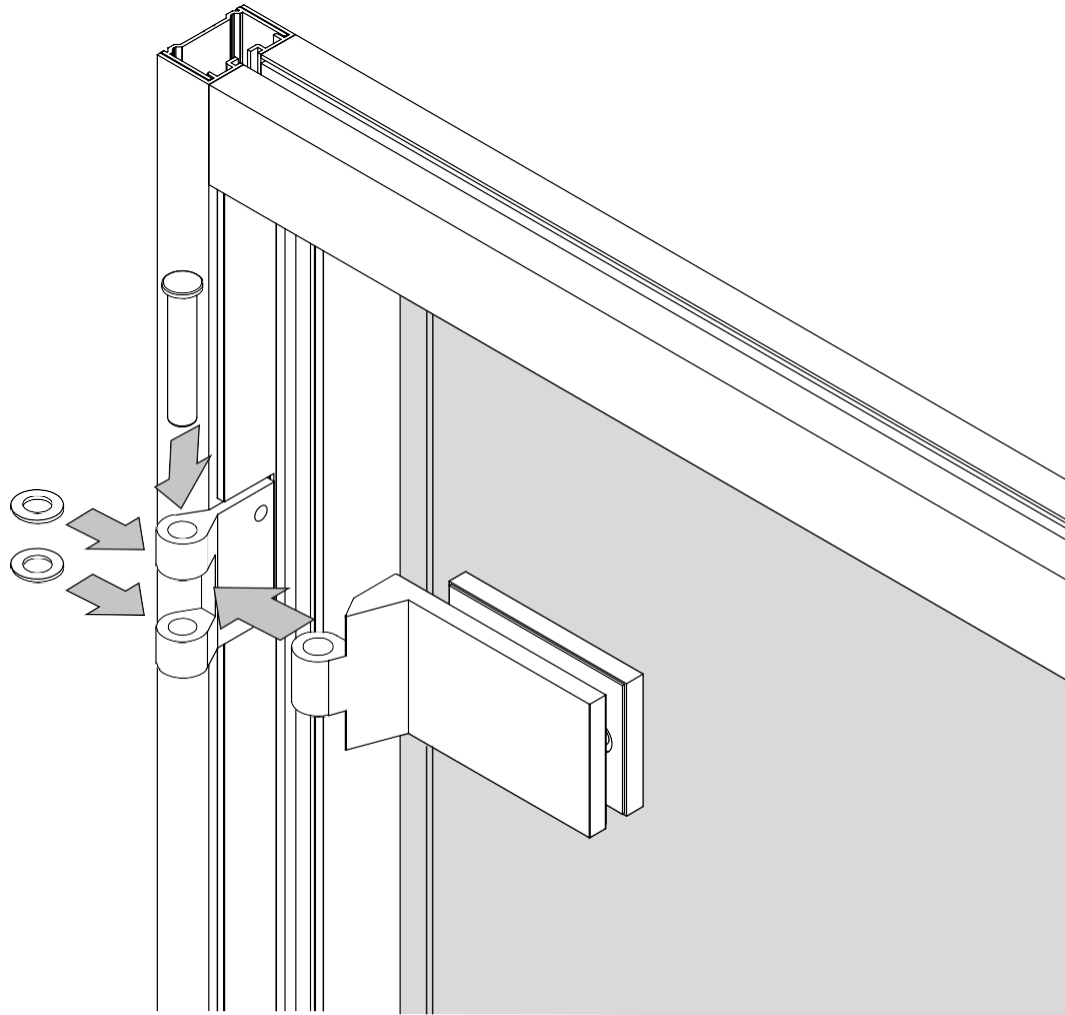


9 Fit the Underframe Cover to the underframe. Apply a thin bead of silicone to the groove on the underside of the cover to retain it.



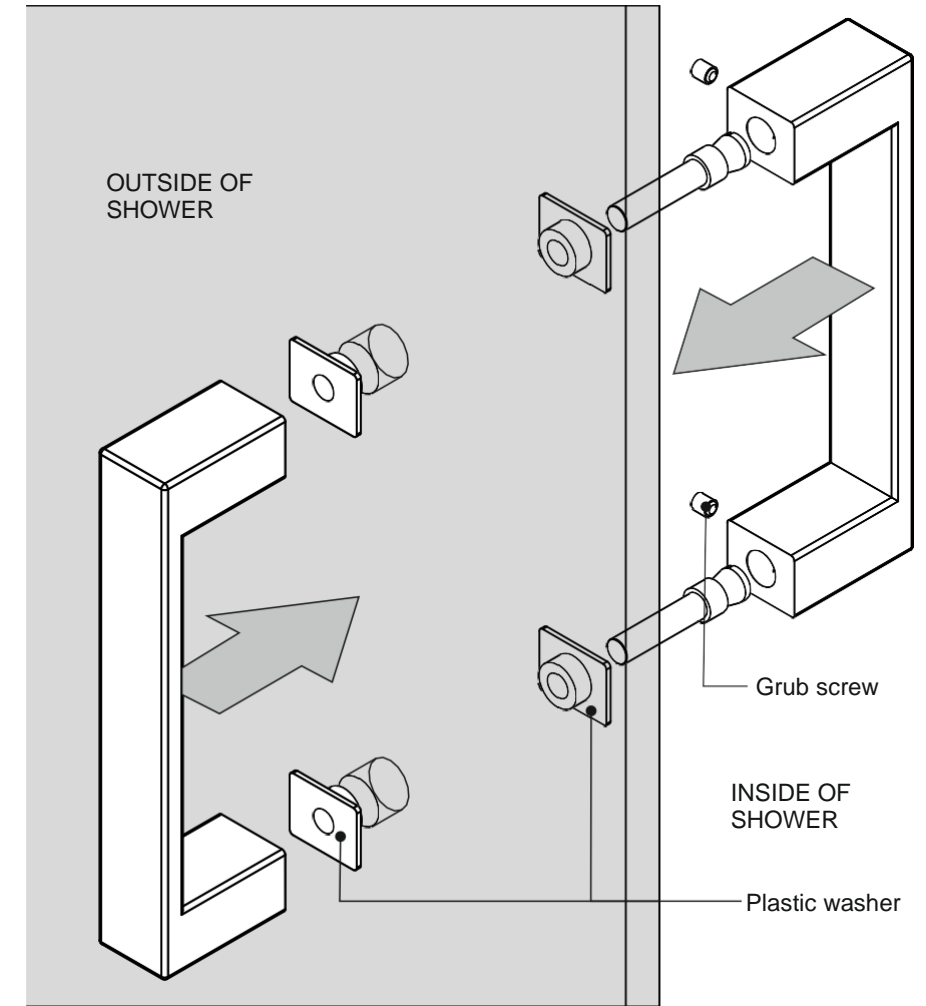
10 Fit the top profile by sliding the bolts down into the channels at the top of the wall profile assemblies. Use the spanner provided to tighten the bolts.

Note that a gap of 150mm above the top of the wall profiles is needed to install the top rail in this way. If, for any reason, this gap is not available, the top profile can alternatively be screwed directly up into a soffit. To do this, remove and discard the blocks containing the hexagonal boltheads by undoing the retaining grub screws in the top profile. Remove the mitred top cover plate by unscrewing the 3 slotted screws, drill and screw the top profile to the soffit and then replace the cover plate.



11 Offer up the assembled Door. Place the plastic washers in between the moving parts of the hinge as shown and drop the retaining pins into place from above.

Apply a light smear of grease to the hinge pins before inserting them.



12 If you have chosen a back-to-back handle, fit this to the door as shown, ensuring the black plastic washers are located in the holes on both sides of the glass.

Tighten the grub screws on the inside handle to secure.

Alternatively, if you have chosen a towel rail handle, follow the instructions supplied with that handle