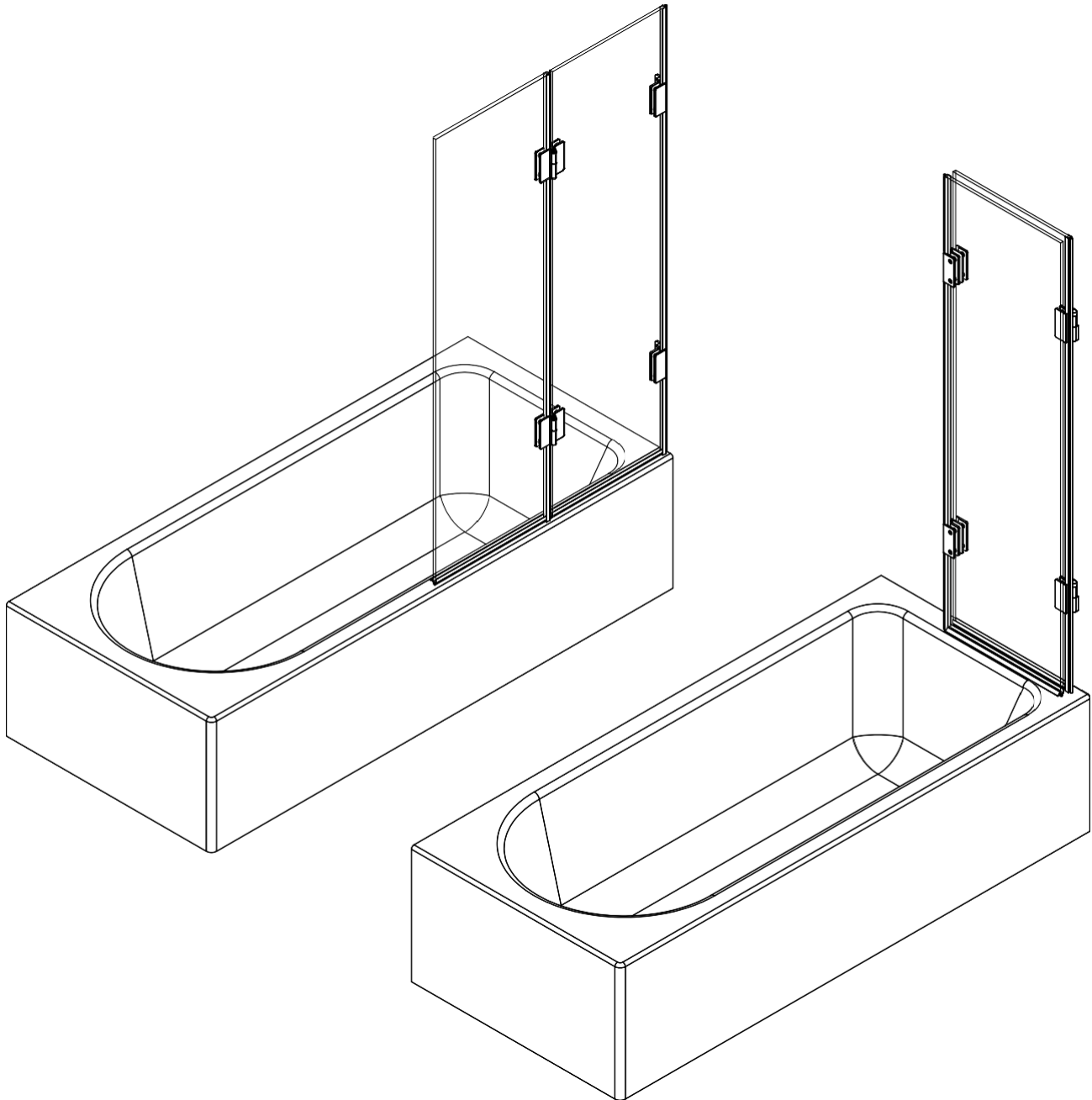


MAJESTIC

Dptych Bath Screen Installation Guide

v1



These instructions are for left and right handed screens. The diagrams show a right handed screen.

Thank you for purchasing this Diptych Bath Screen. Please study these instructions carefully before assembly and installation and check all supplied parts immediately upon receipt.

These instructions are for left and right handed units. The diagrams show a right handed unit. The bath screen hinges are handed as shown on page iii. Check that you have the correct ones for your installation. All other parts are reversible.

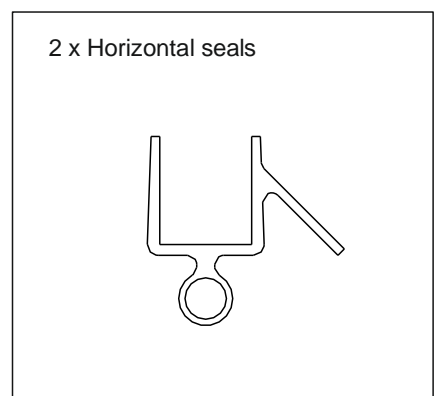
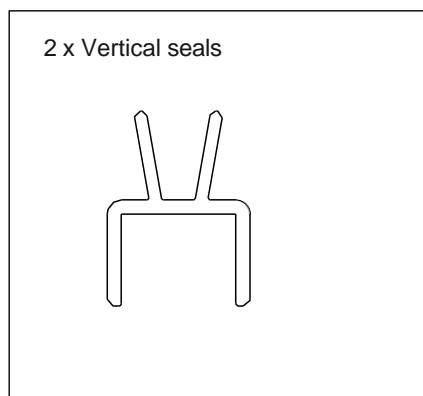
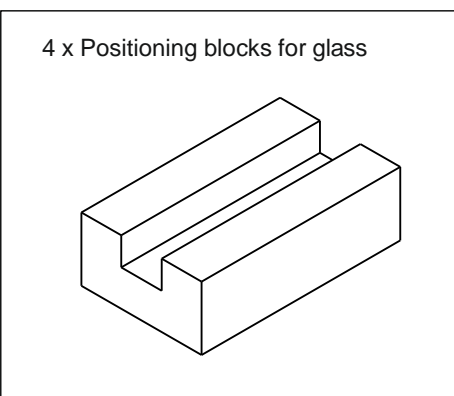
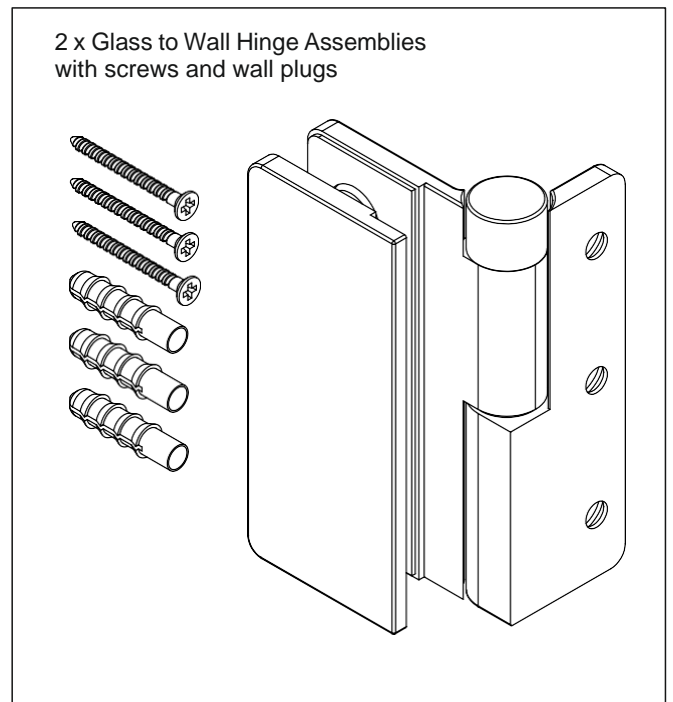
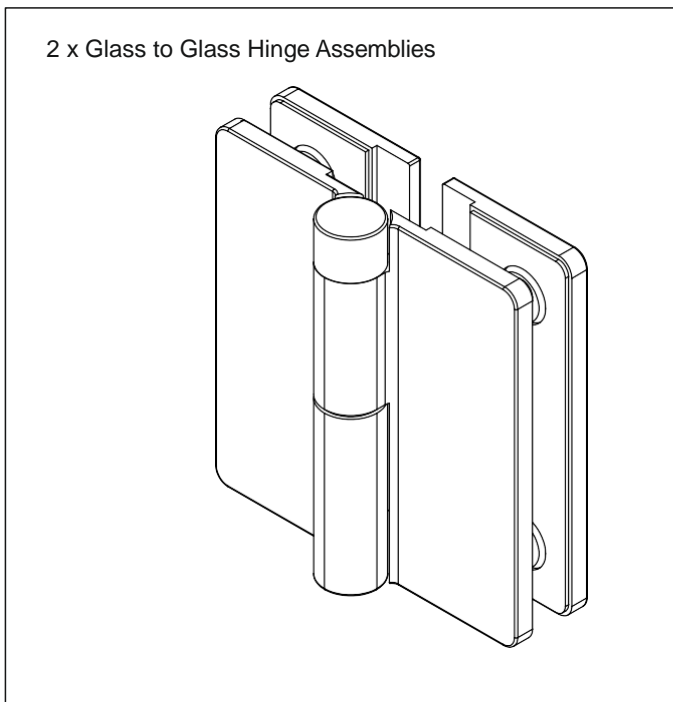
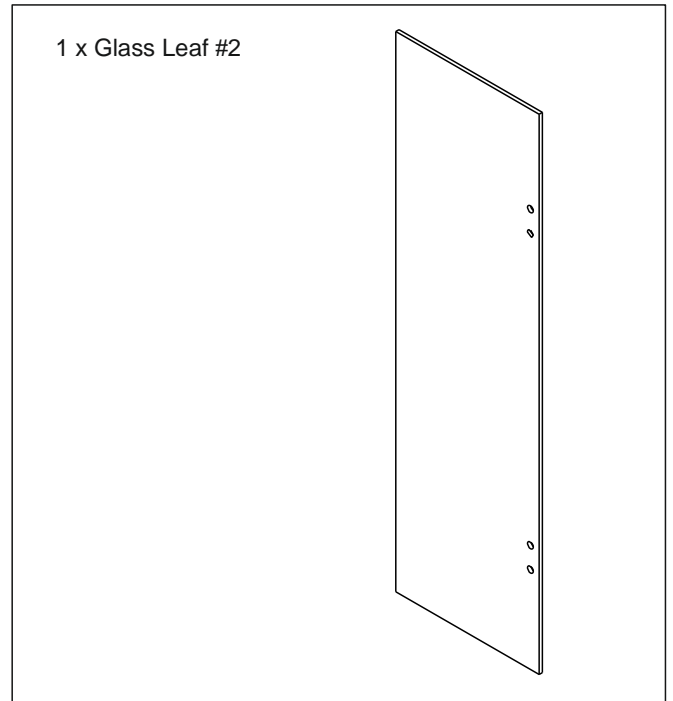
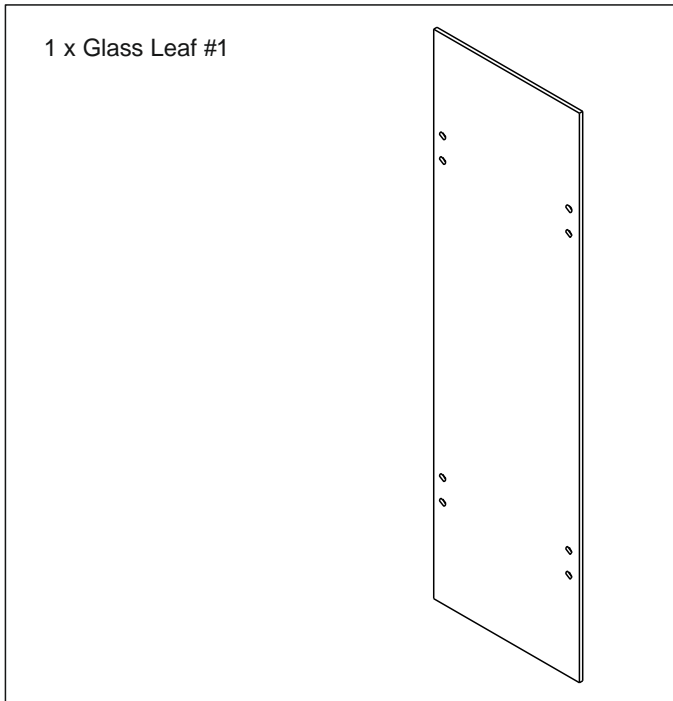
Installation Tips

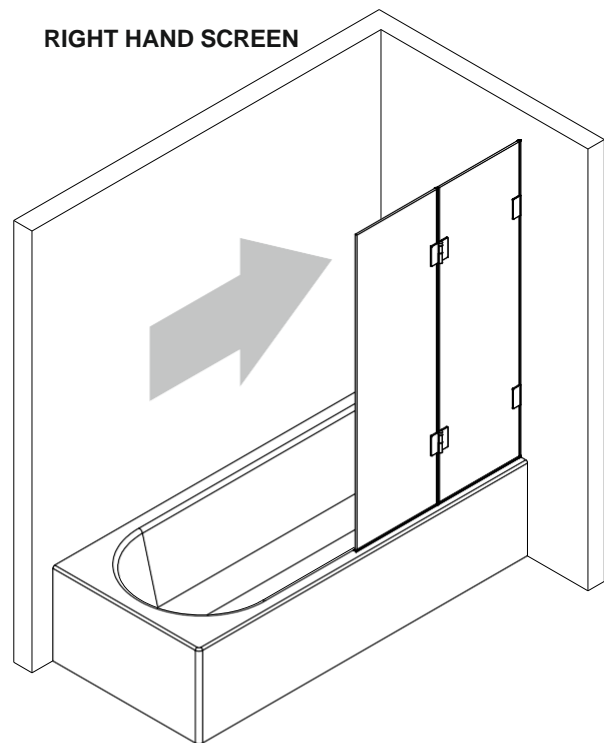
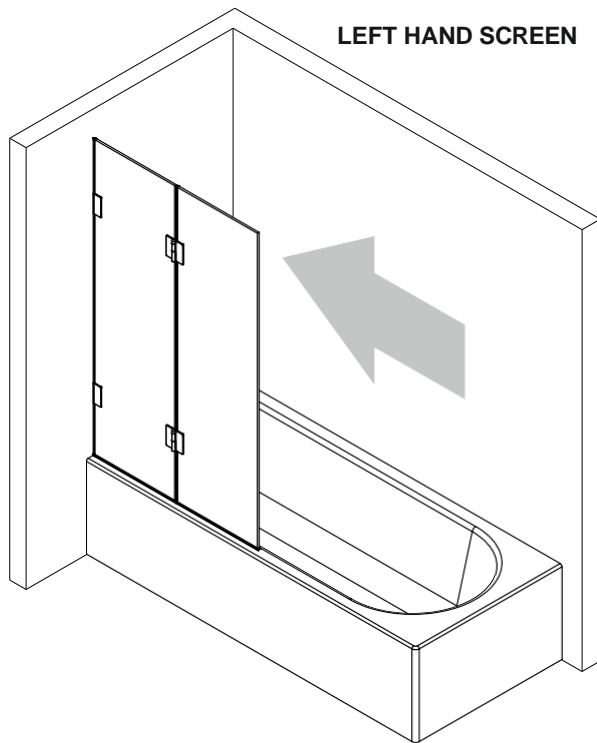
The general principle of assembly is to assemble parts in the steps shown - first a dry assembly to check fits or mark drilling positions and then a final assembly.

All screws are supplied with chromium cover caps that should be fixed in the recesses provided with a light smear of silicone. Do not fit these until the rest of the installation is complete and you are satisfied that no further adjustments need to be made.

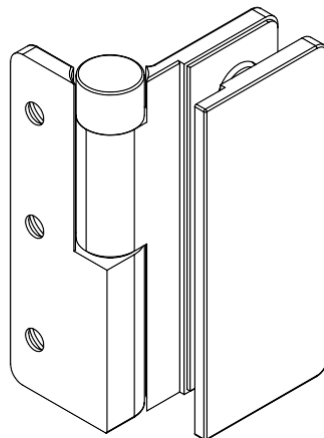
Parts Supplied

The parts supplied are illustrated on page ii.

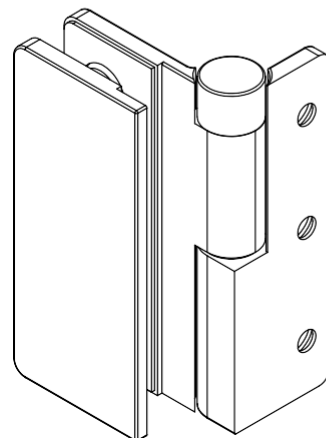




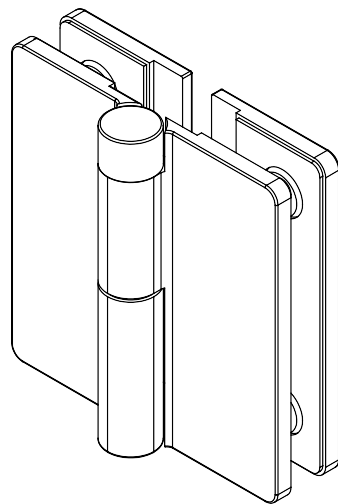
LEFT HAND
GLASS TO WALL
HINGE



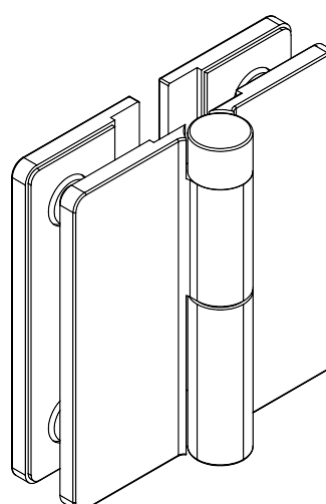
RIGHT HAND
GLASS TO WALL
HINGE

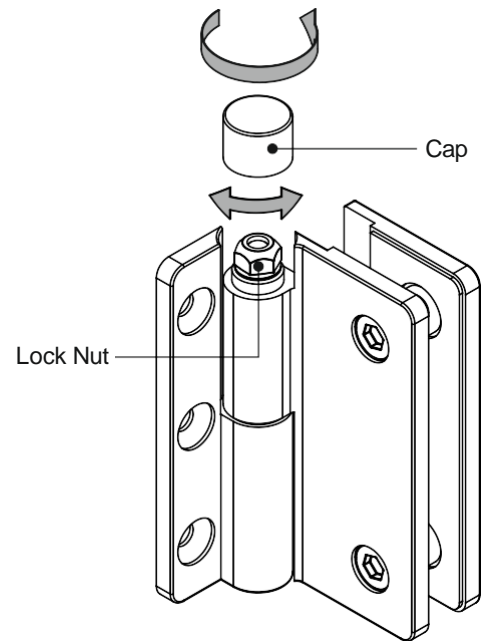
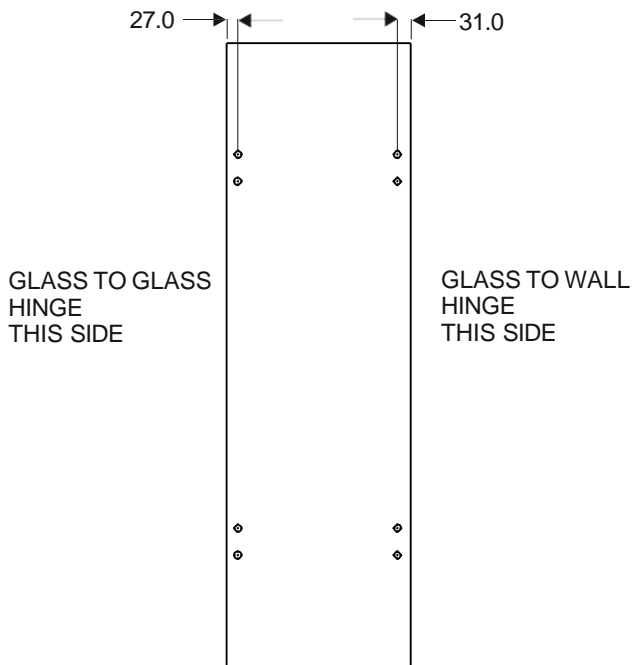


LEFT HAND
GLASS TO GLASS
HINGE



RIGHT HAND
GLASS TO GLASS
HINGE





1

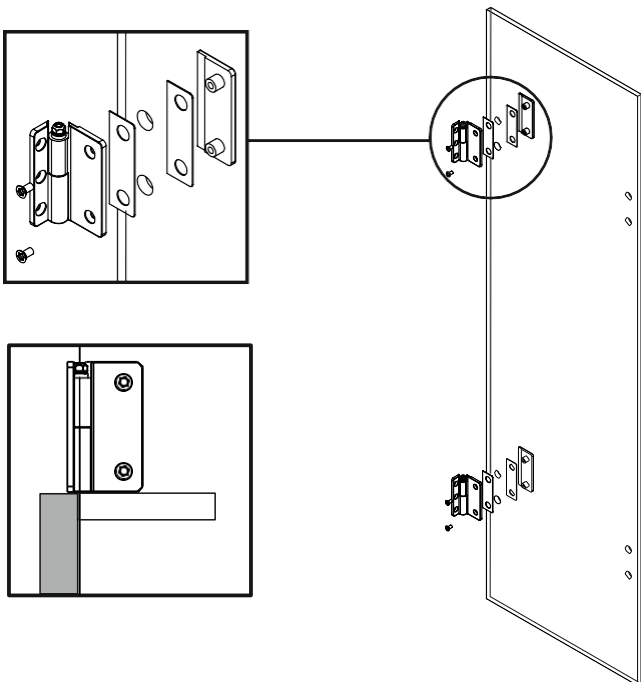
Select the Leaf #1 glass panel which has 8 mounting holes for hinges.

Note which side of the panel the Glass to Wall hinges are to be mounted. This is the side where the holes are furthest from the edge of the glass - 31 mm - and a label on the glass confirms this.

2

Prepare the hinges for fitting.

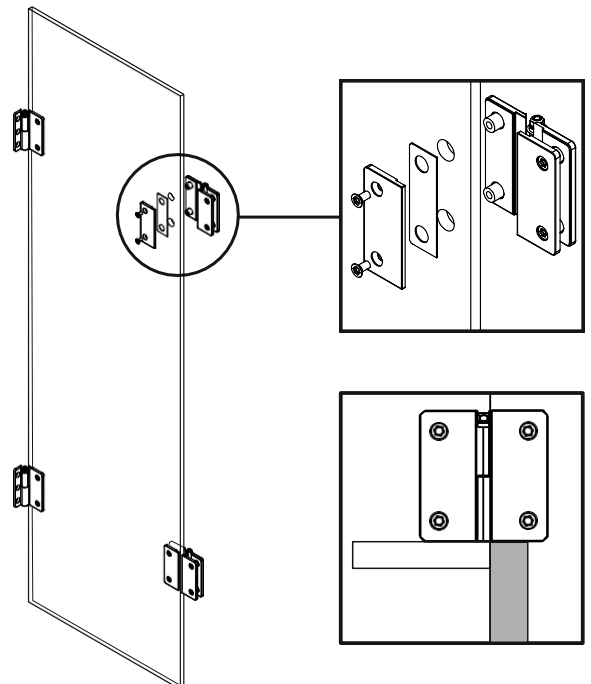
Both the Glass to Wall hinges and the Glass to Glass hinges feature a variable torque facility. Unscrew the chromium Caps and place them carefully aside. Using an 8mm ring spanner tighten or loosen the lock nut as required to vary the force needed for rotation.



3

Assemble the Glass to Wall hinges to Leaf #1 with the screw bosses centred in the holes in the glass. Use a set square to ensure that the hinges are parallel with the edge of the glass.

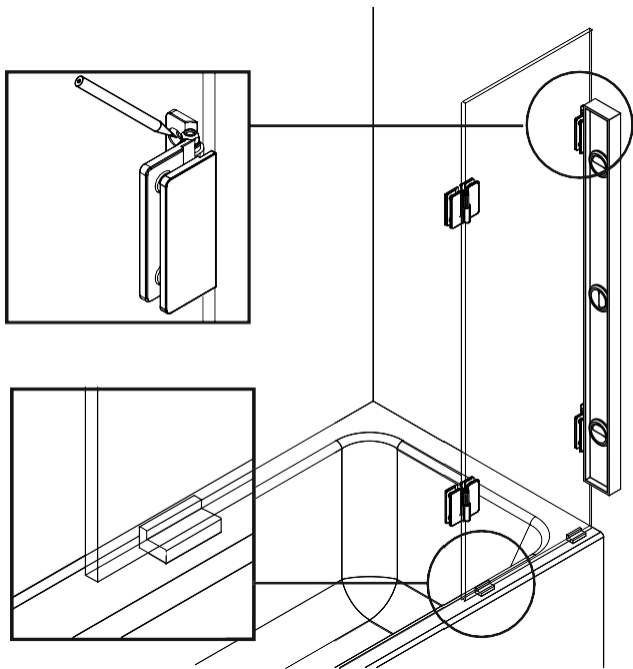
Ensure that each face of the glass is separated from the hinge by a gasket.



4

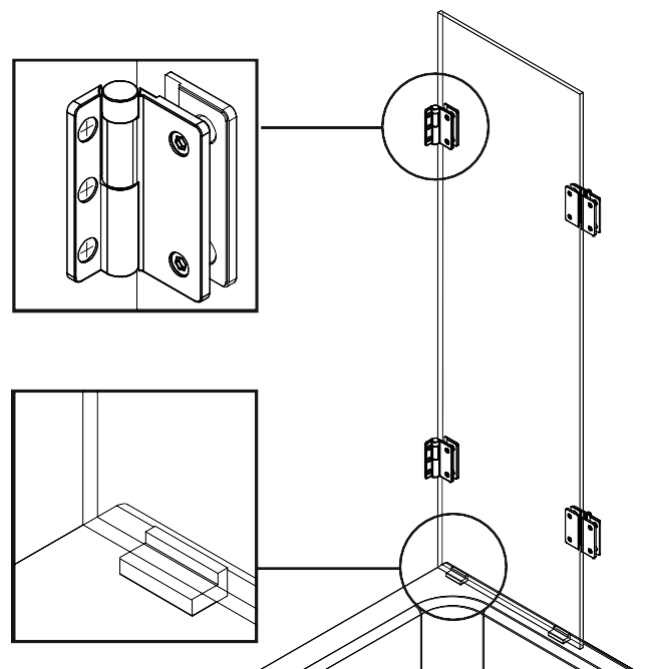
Assemble the Glass to Glass hinges to the other end of Leaf #1 with the screw bosses centred in the holes in the glass. Use a set square to ensure that the hinges are parallel with the edge of the glass.

Ensure that each face of the glass is separated from the hinge by a gasket.



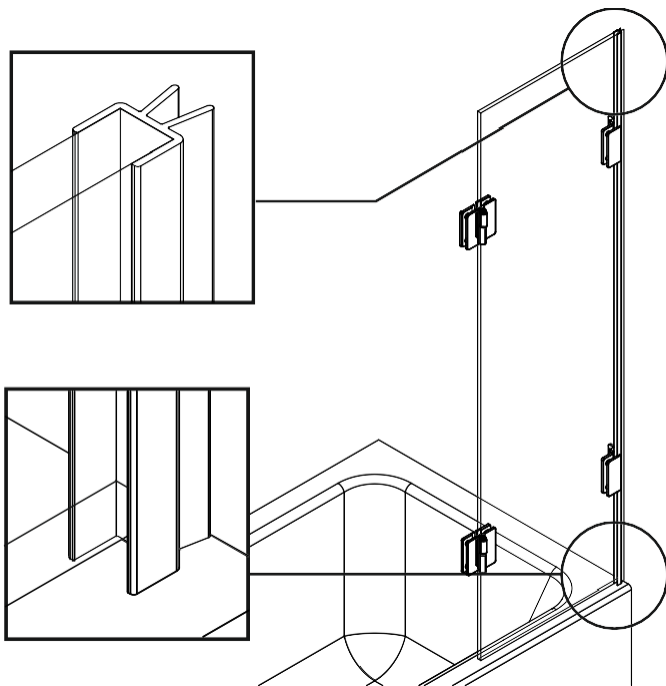
5 Place Leaf #1 in position on the rim of the bath, using the blocks provided to space it the correct distance above the rim. Use a spirit level to ensure that it is vertical.

Hold it in place and mark the positions of the screw holes for the wall hinges.



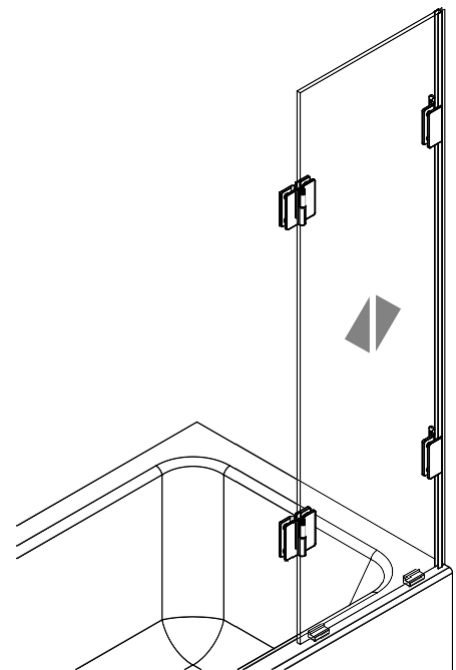
6 Remove the panel, drill the wall and fit the wall plugs provided.

Replace the panel, again using the blocks to rest the glass on and screw the wall hinges securely to the wall.



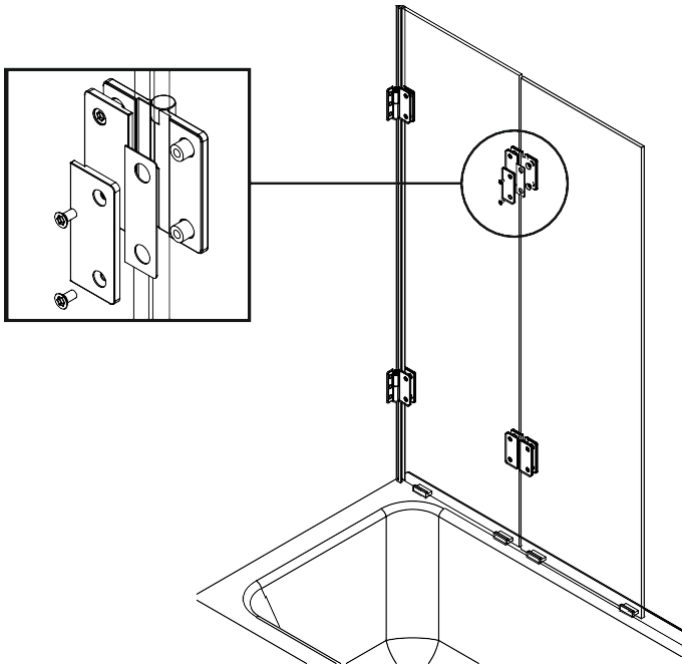
7 Fit a vertical seal to the wall edge of Leaf #1 as shown. A straight cut end of the seal should be pushed down to touch the rim of the bath, extending beyond the bottom of the glass. The top end of the seal should be trimmed level with the top edge of the glass.

Ensure that the seal is pushed fully on to the glass over its full height.



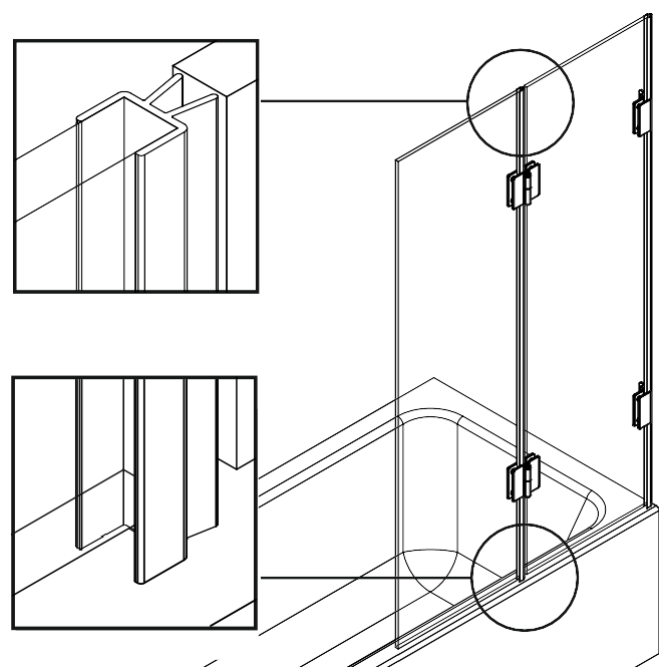
8 Check that the seal compresses against the wall over its full height to form a watertight barrier.

If necessary, replace the blocks under the glass, loosen the hinges in the glass and adjust the panel inwards or outwards from the wall to achieve this.



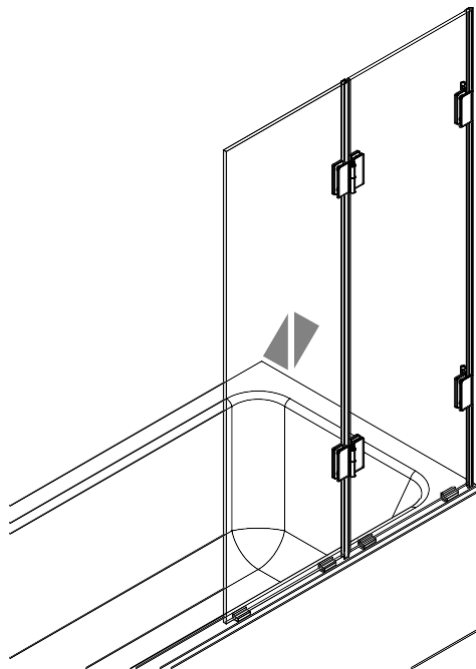
9 Place Leaf #2 in position on the rim of the bath, using two more of the blocks provided to ensure correct spacing above the rim.

Assemble the hinges with the screw bosses centred in the holes in the glass. Ensure that each face of the glass is separated from the hinge by a gasket.



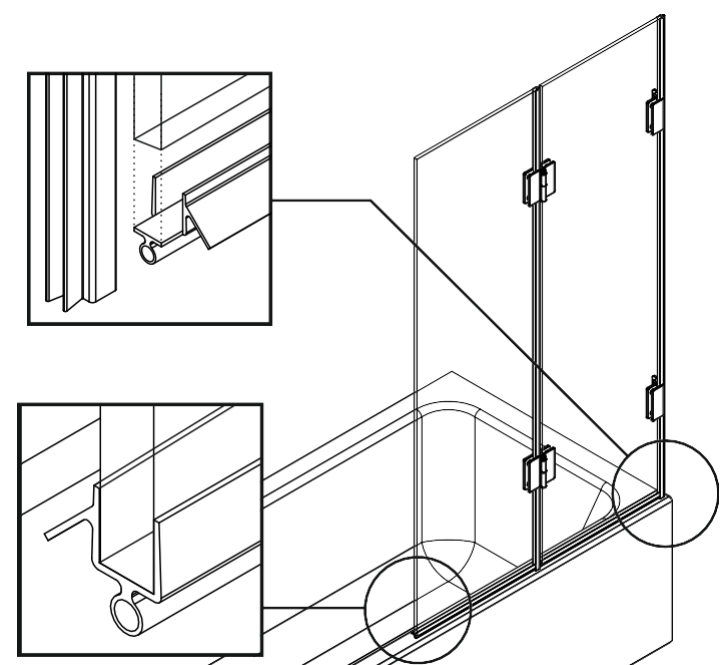
10 Fit a vertical seal to Leaf #2 as shown. The seal should be trimmed so that the top is level with the top edge of the glass but the bottom extends down to the rim of the bath.

Ensure that the seal is pushed fully on to the glass.



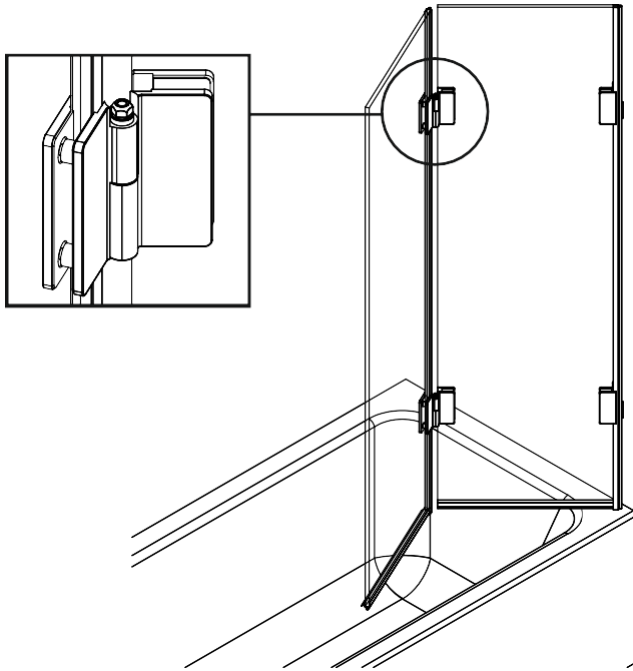
11 Check that the seal compresses against the adjacent panel along its full height to form a watertight barrier.

If necessary, replace the blocks under the glass panels, loosen the hinges in the glass and adjust the panel to achieve this.



12 Cut the horizontal seals to the exact width of each glass leaf. Where the bottom seals intersect with the vertical seals, prepare them as shown in the top diagram, allowing the bottom bubble seal to fit fully between the projecting legs of the vertical seal.

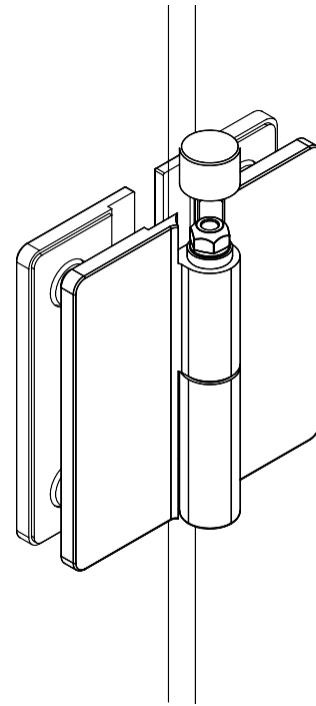
Fit the bottom seals with the water deflector blade facing in to the bath.



13

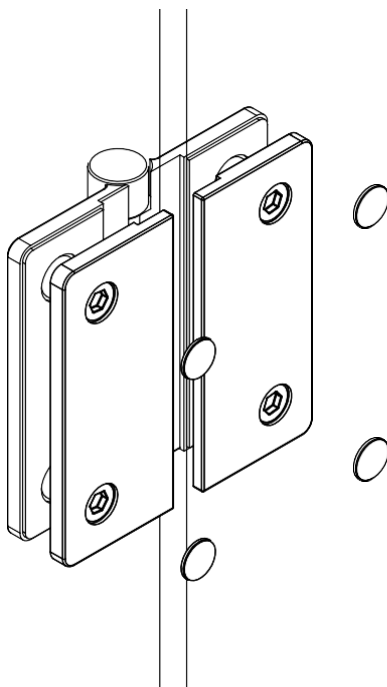
Check that the bath screen can move freely between the open and closed positions.

If necessary, adjust the torque on the hinges by tightening or loosening the lock nuts. Unscrew the caps on the wall hinges to access those nuts. The screen should be easy to move but firm enough to stay in the position in which it is placed.



14

Once you are satisfied that it operates as required, replace the caps on the hinges. The hinges can be readjusted at any time if required.



15

Using a smear of silicone, fit the chromium screw covers provided to the Glass to Glass hinges and to the Glass to Wall hinges.