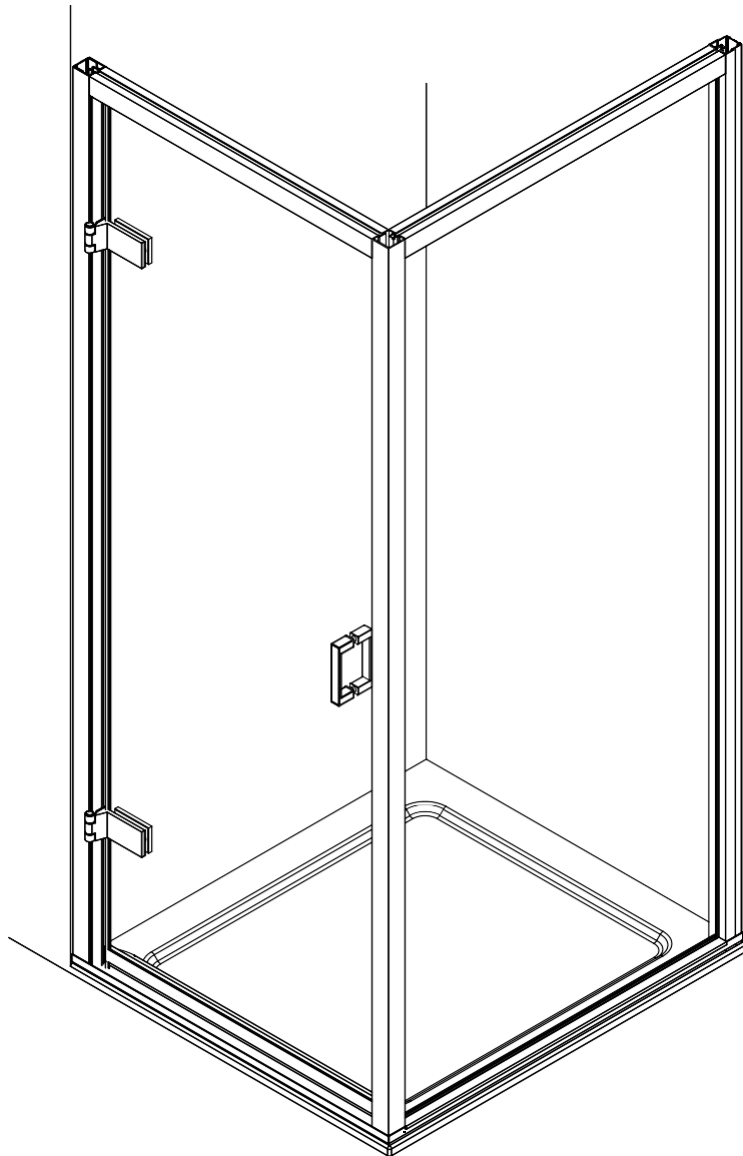


MAJESTIC

LONDON 1968



Thank you for purchasing this Constance shower enclosure. Please study these instructions carefully before assembly and installation.

Checking of Parts

Parts are listed at the beginning of this guide. Please check all supplied parts immediately upon receipt and contact the Majestic Shower Company in the event of any missing or damaged parts.

Handling of Parts

When handling glass, take care to ensure that corners or edges are not knocked. Do not place glass on hard surfaces - place cushioning material underneath to prevent the glass from shattering.

Unwrap all metal parts carefully to prevent damaging the plated surfaces.

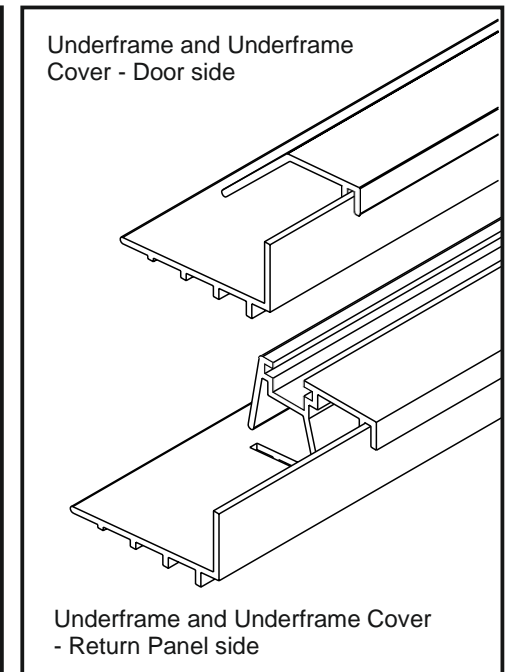
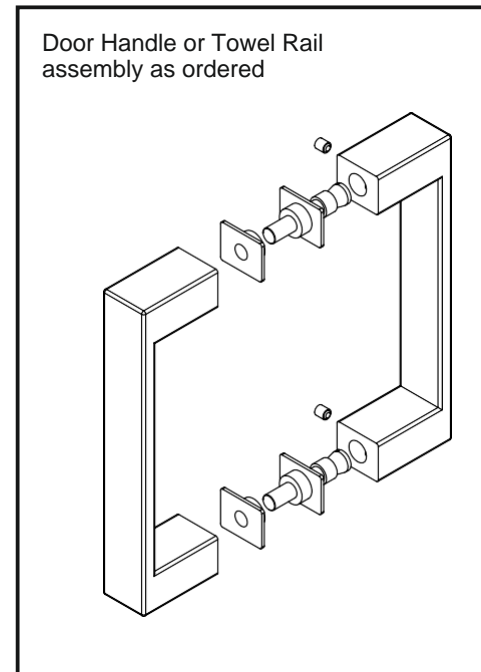
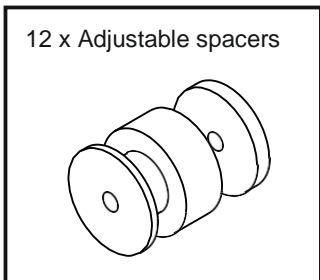
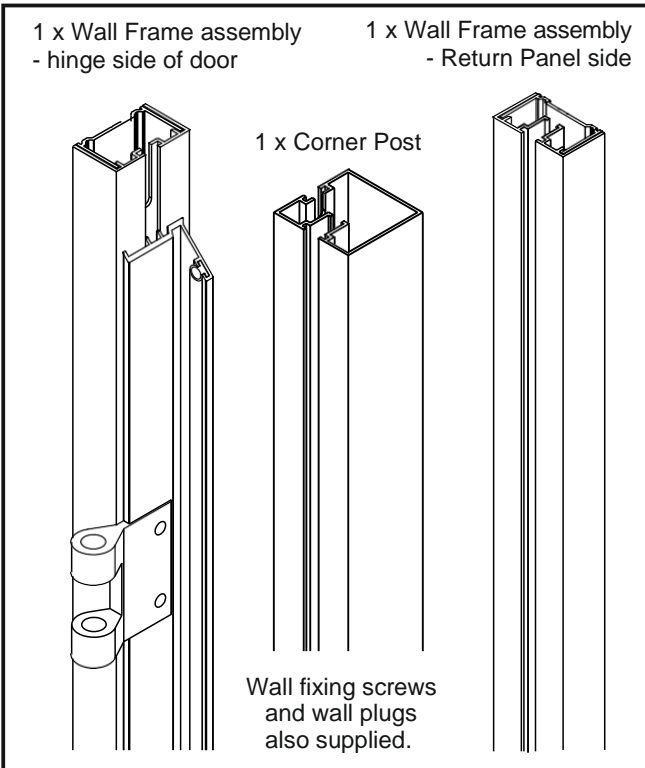
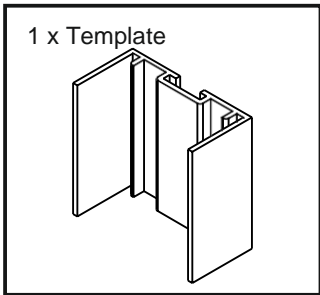
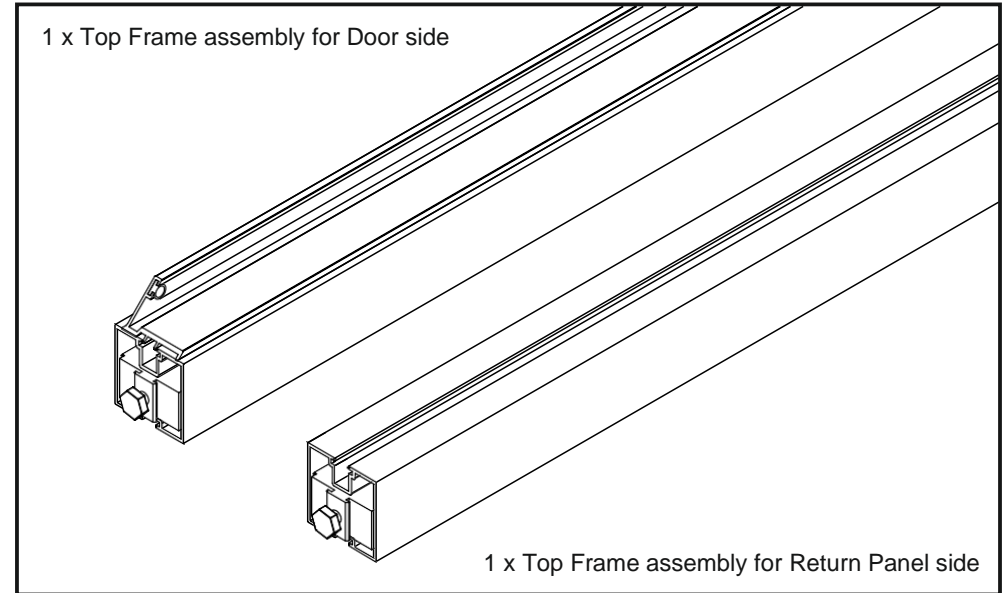
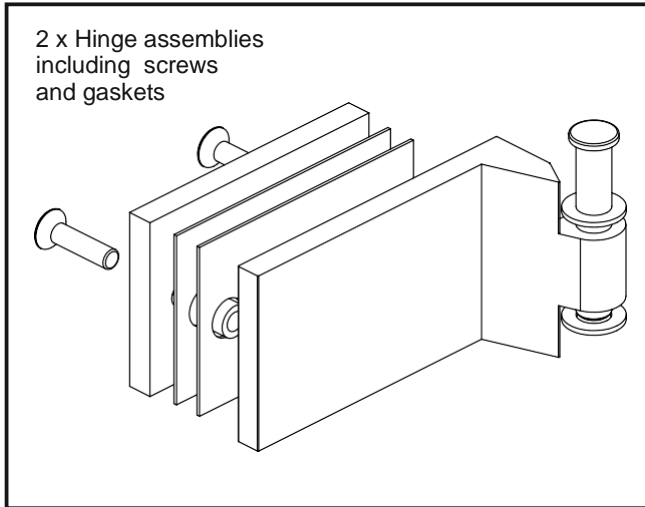
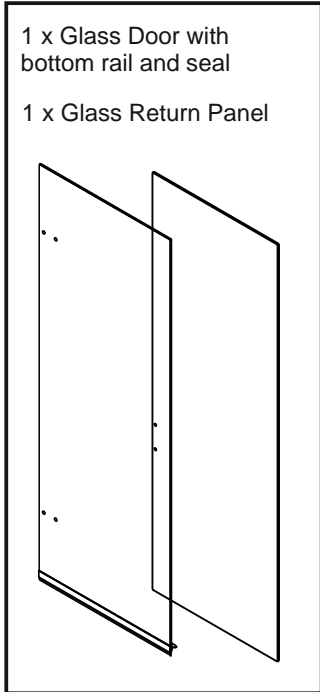
Pre Installation Checks

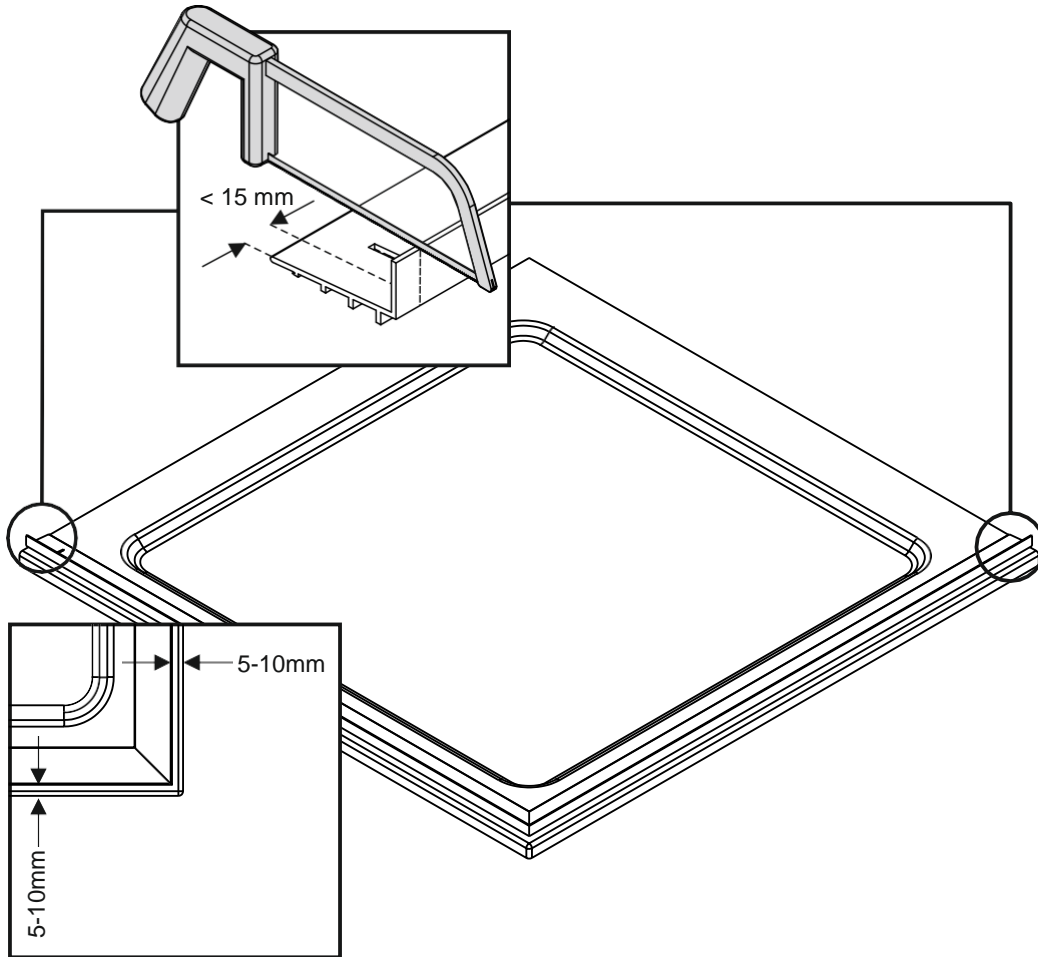
Prior to undertaking installation, check the accuracy of the following against specifications for the particular installation location:

- Verticality and flatness of the wall. A maximum of 15 mm lean in or lean out of the wall relative to the floor or tray can be accommodated by the wall profiles.
- Levelness and flatness of the floor or rim of the shower tray.



DO NOT ASSEMBLE WITHOUT FULLY READING THESE INSTRUCTIONS



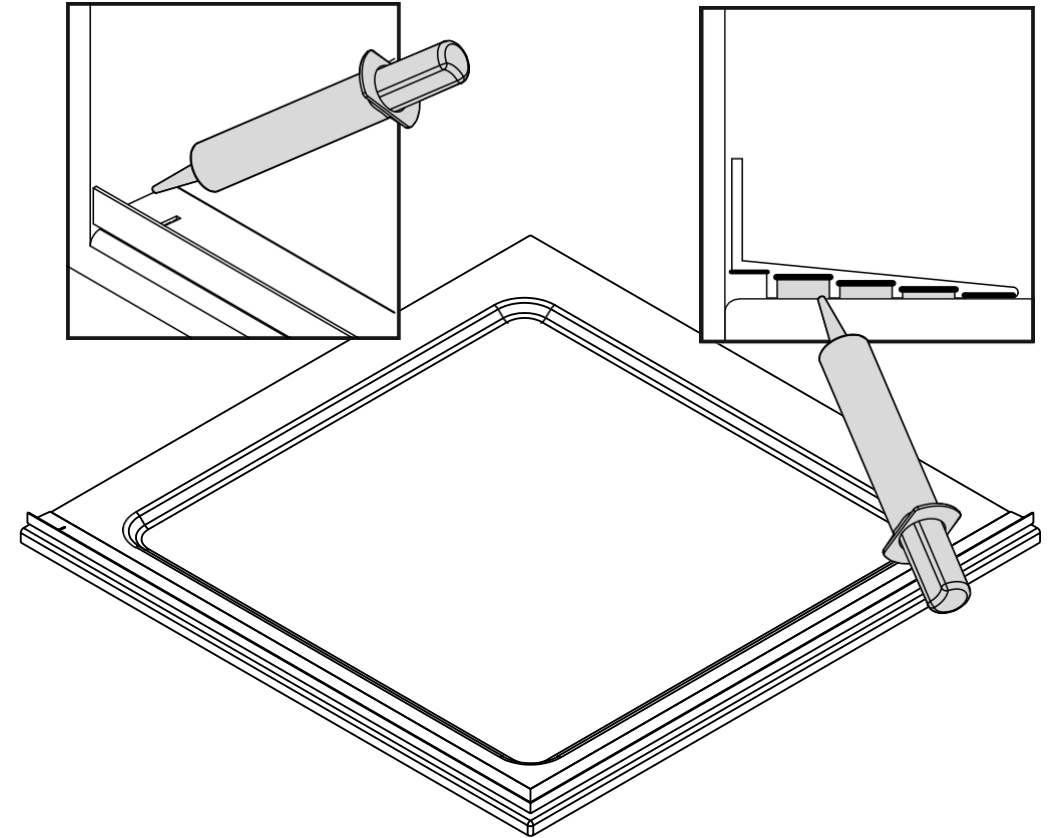


1

The Underframe is supplied over length to be trimmed to size on site.

You can trim up to a maximum of 15 mm from the wall end of each section. An ideal position for the underframe would be 5-10mm back from the front edge of the tray.

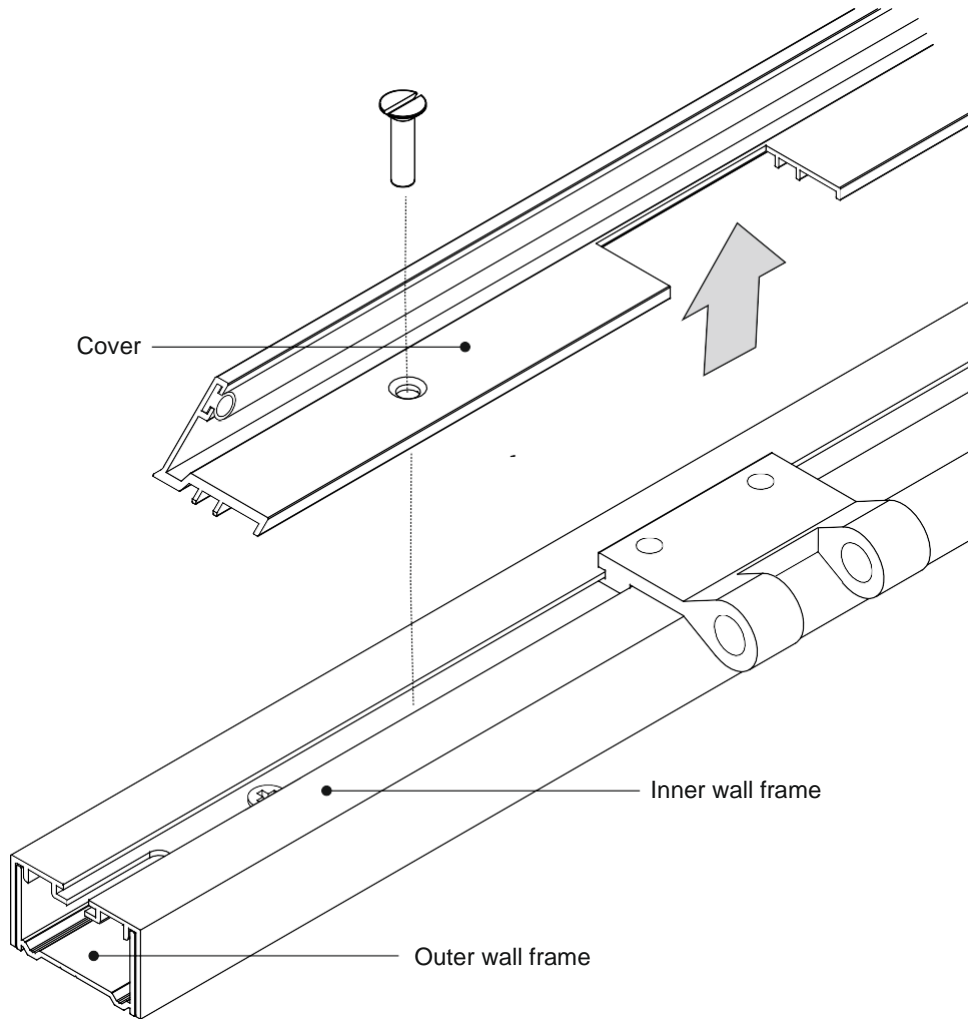
No NOT cut the Underframe Covers - these are supplied at the correct length for your door and panel.



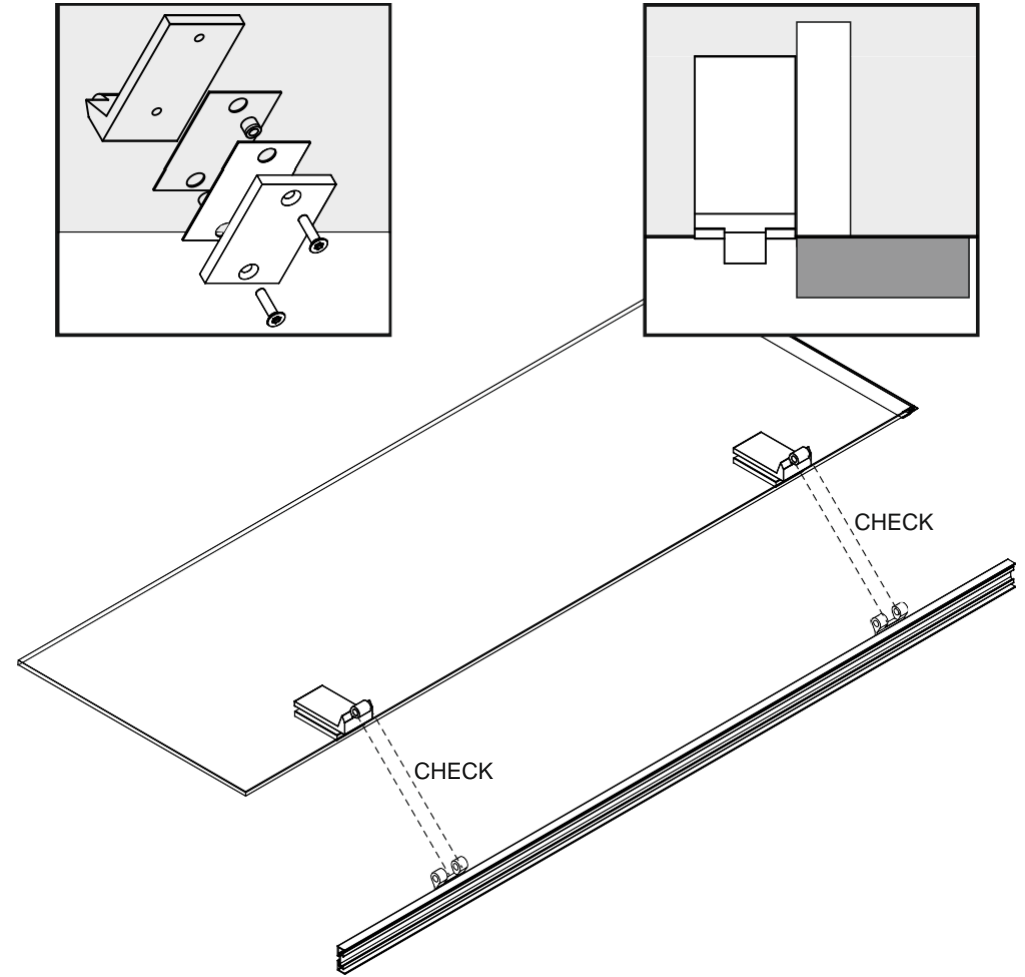
2

Apply a generous amount of silicone to the recesses on the underside of the Underframe sections and place them in position on the shower base. Hold them in position with masking tape.

Apply fillets of silicone at each end of the Underframe to seal it against the walls and ensure a sealed mitre at the corner.



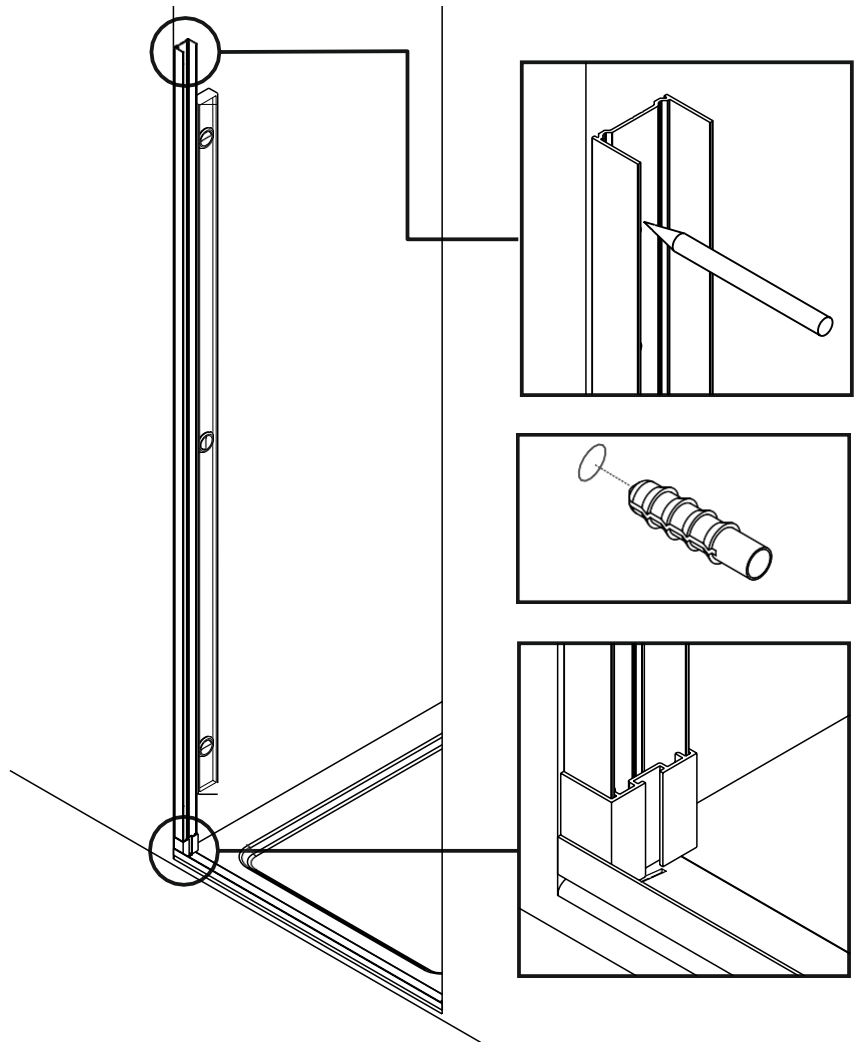
3 Unscrew and separate the covers from the Wall Frame assemblies. You will also need to separate the Cover from the Wall Frames used on the hinge side of the Door, as shown above.



4 Lay the glass Door horizontally on cushioned trestles or similar and assemble the hinges to the glass Door as shown. Ensure that the clear plastic sleeves are fitted inside the holes in the glass and that gaskets are placed either side of the glass.

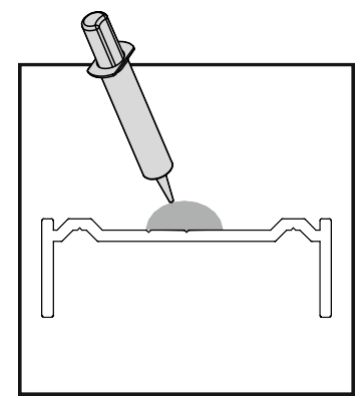
Use the wall frame with hinge parts attached to check the spacing between the hinges and use a set square to ensure that the hinges are correctly aligned.

Fully tighten the hinges. Leave for 10 minutes and then re-tighten to compensate for compression of the gaskets.



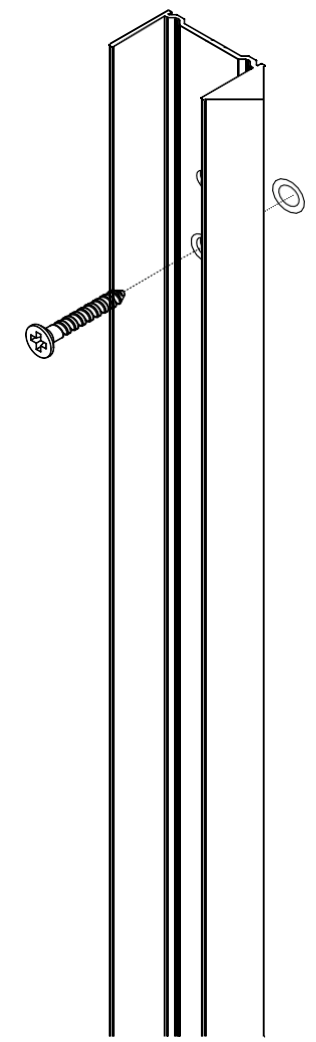
5 Place the outer wall frames in position. Use the template provided to position the bottom of each outer frame and ensure that there is enough space between it and the Underframe for the inner wall frames to be fitted later. Use a spirit level to ensure that the frames are plumb vertical.

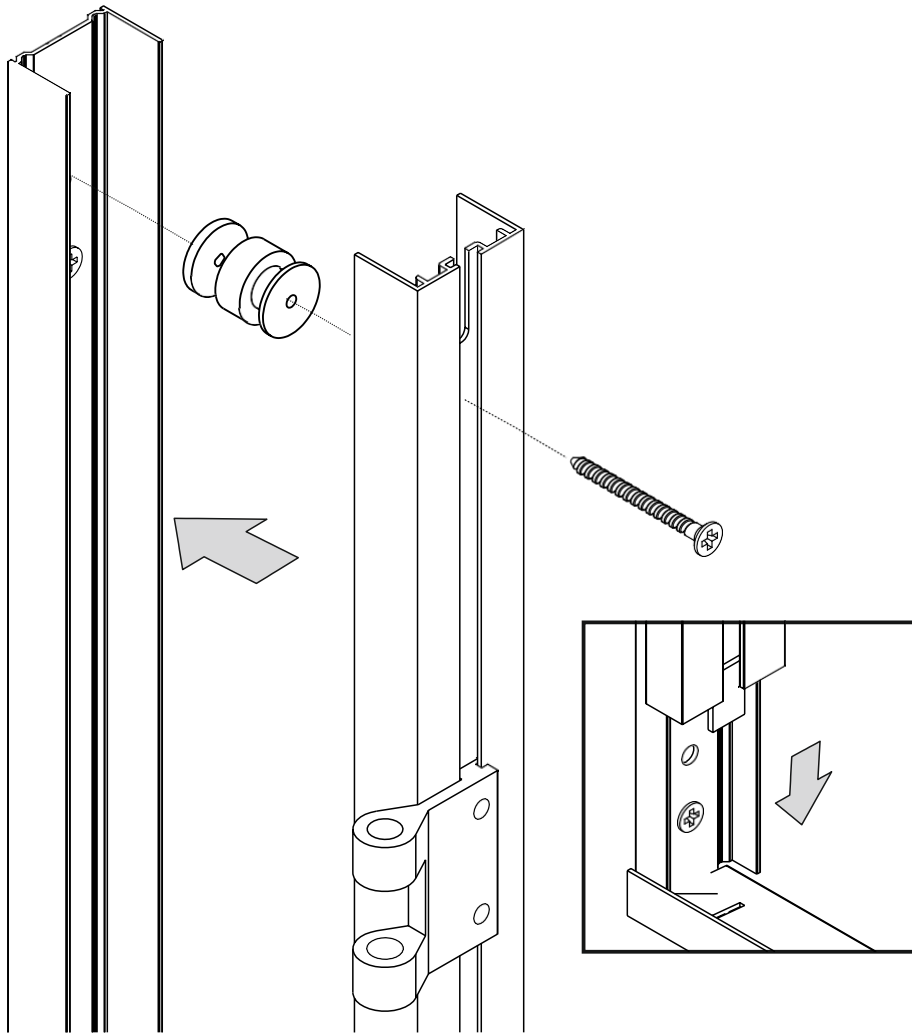
Mark all screw hole positions on the wall, and drill and fit the wall plugs provided.



6 Run a bead of silicone down the back of the outer wall frames as shown to ensure a waterproof seal against the wall.

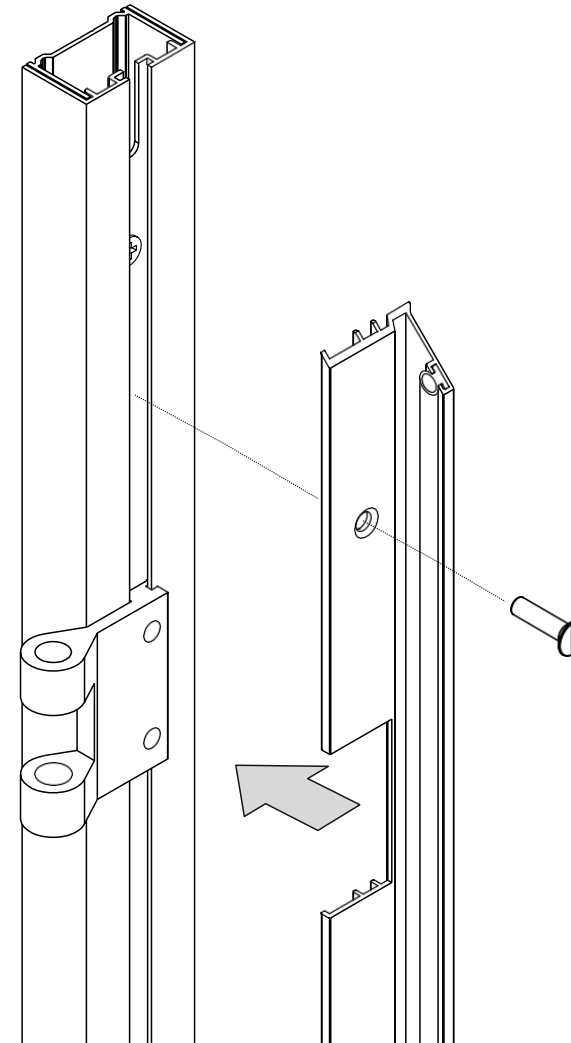
Using 3 of the short (30 mm) screws supplied for each outer frame, screw the profiles to the wall at top, bottom and middle, using the countersunk holes in the profile.



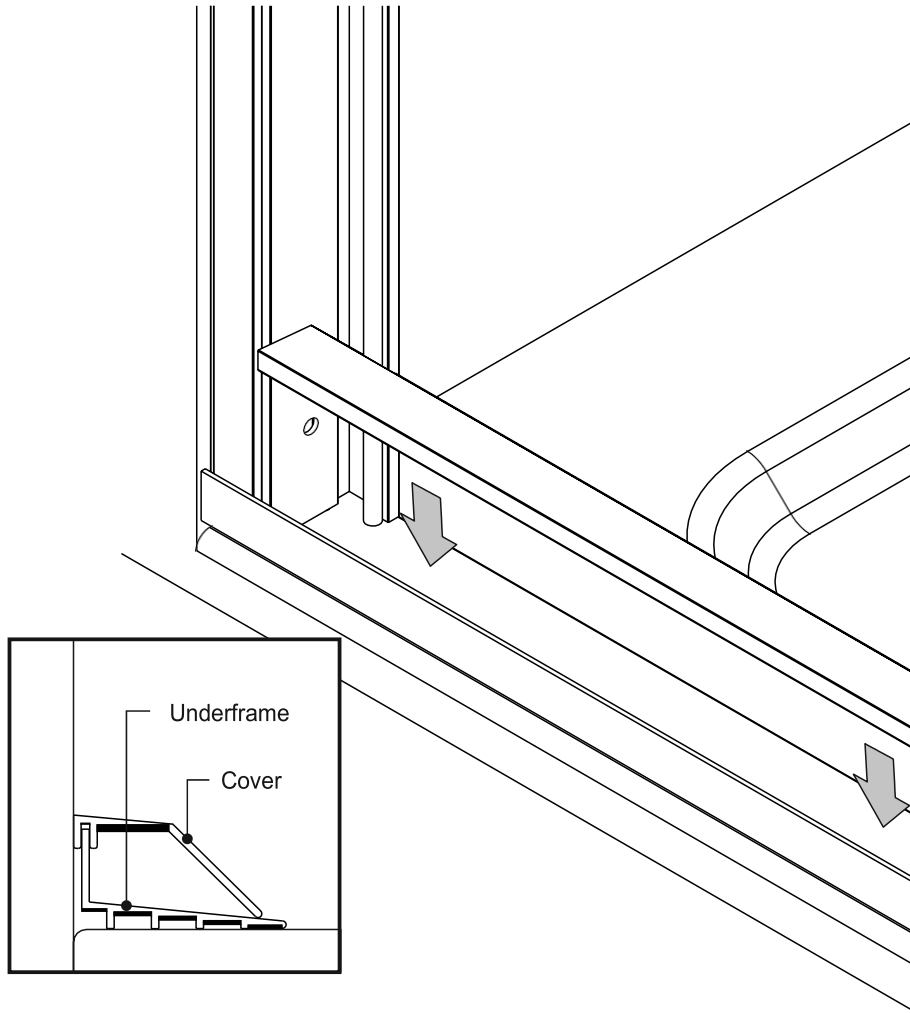


7 Assemble the inner wall frames to the outer frames using the longer screws provided in the remaining holes. Note that the inner frame supporting the door has a small metal tag protruding at the bottom which is to locate in the pierced slot at the end of the Underframe.

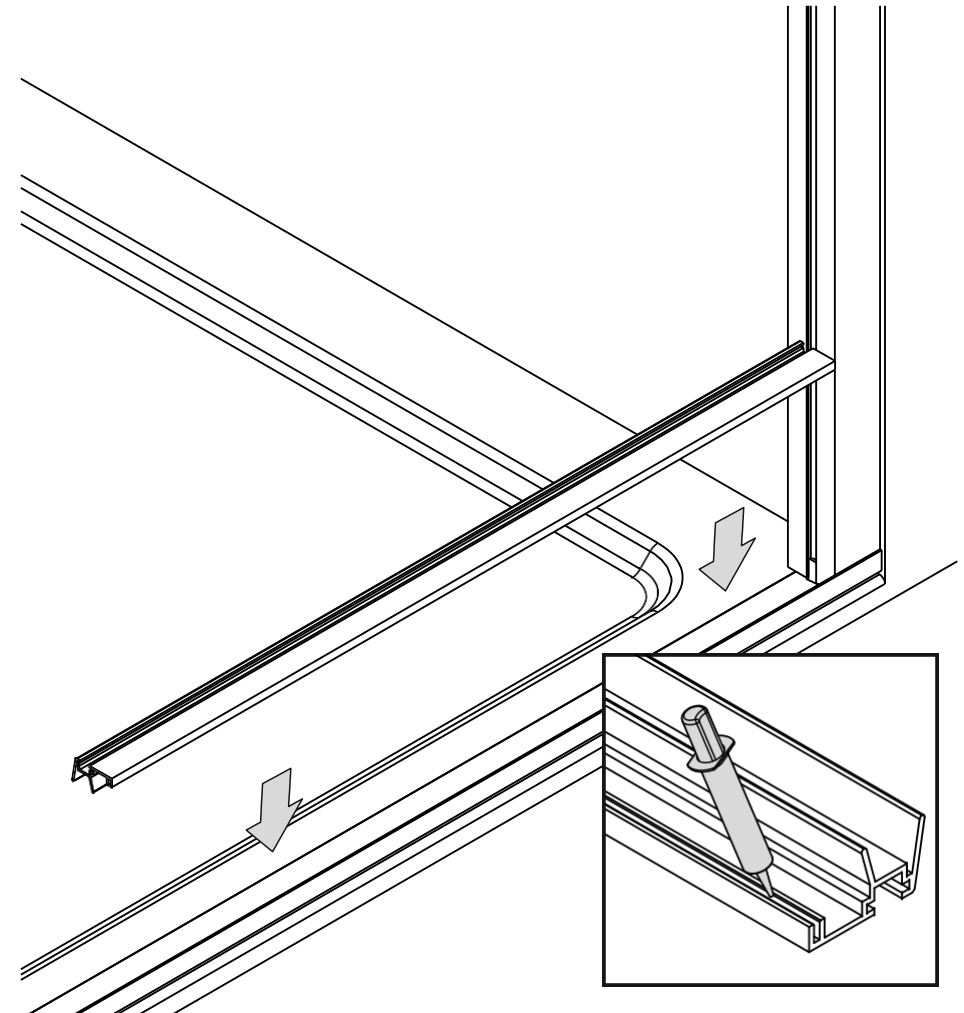
Before screwing the frames together, use the self adhesive pads to position the adjustable spacers over the wall fixing holes and adjust as required to compensate for any lean in or lean out of the walls and to ensure that the faces of the inner frames are plumb vertical.



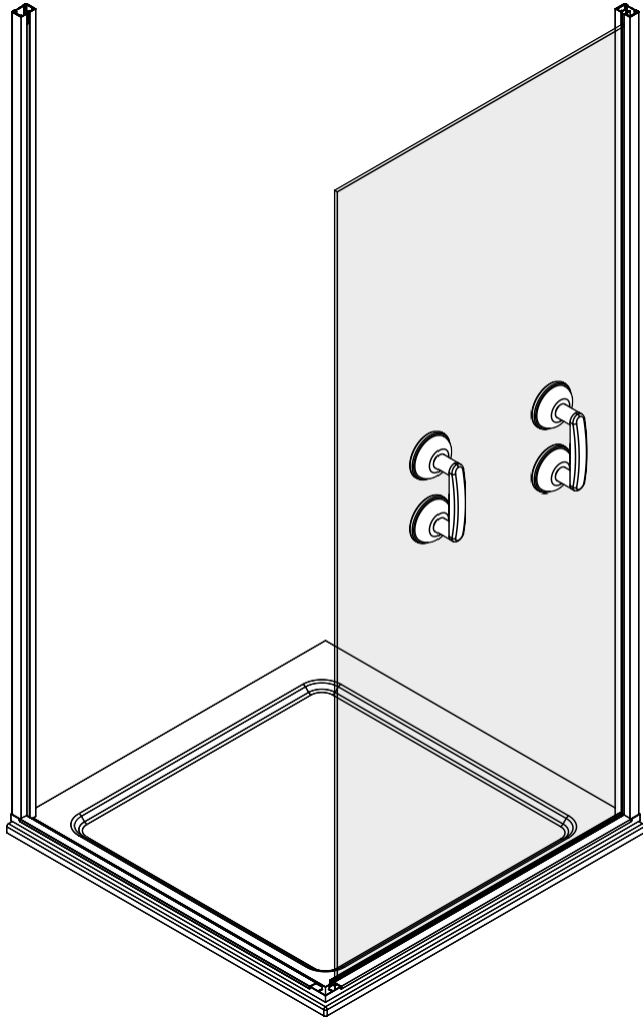
8 Once you are satisfied that the faces of the inner wall frames are at 90 degrees to the shower base, fully tighten the wall screws and replace the cover plates on the hinge side of the door as shown.



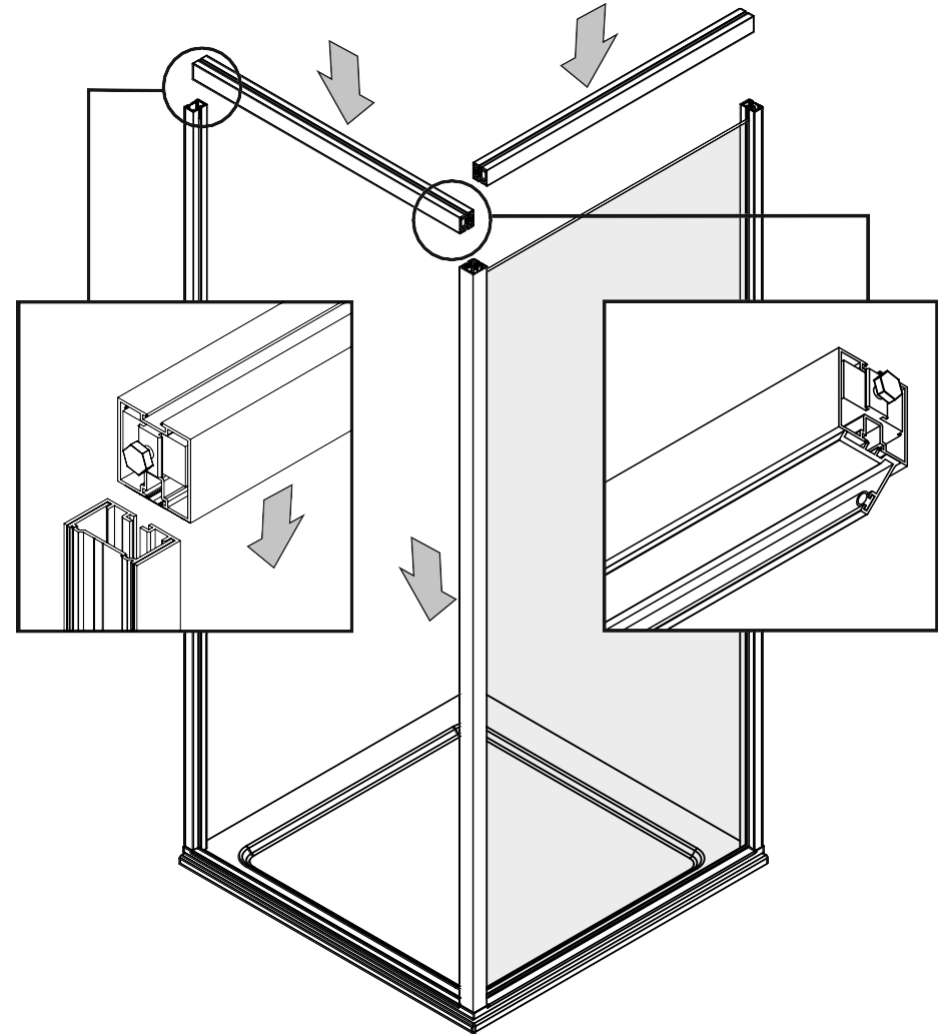
9 Fit the Door Underframe Cover to the Underframe. This part is intended to be removable to facilitate cleaning.



10 Fit the Return Panel side Underframe Cover to the Underframe pushing it up against the inner wall frame. Apply a thin bead of silicone to the groove on the underside of the cover to retain it.

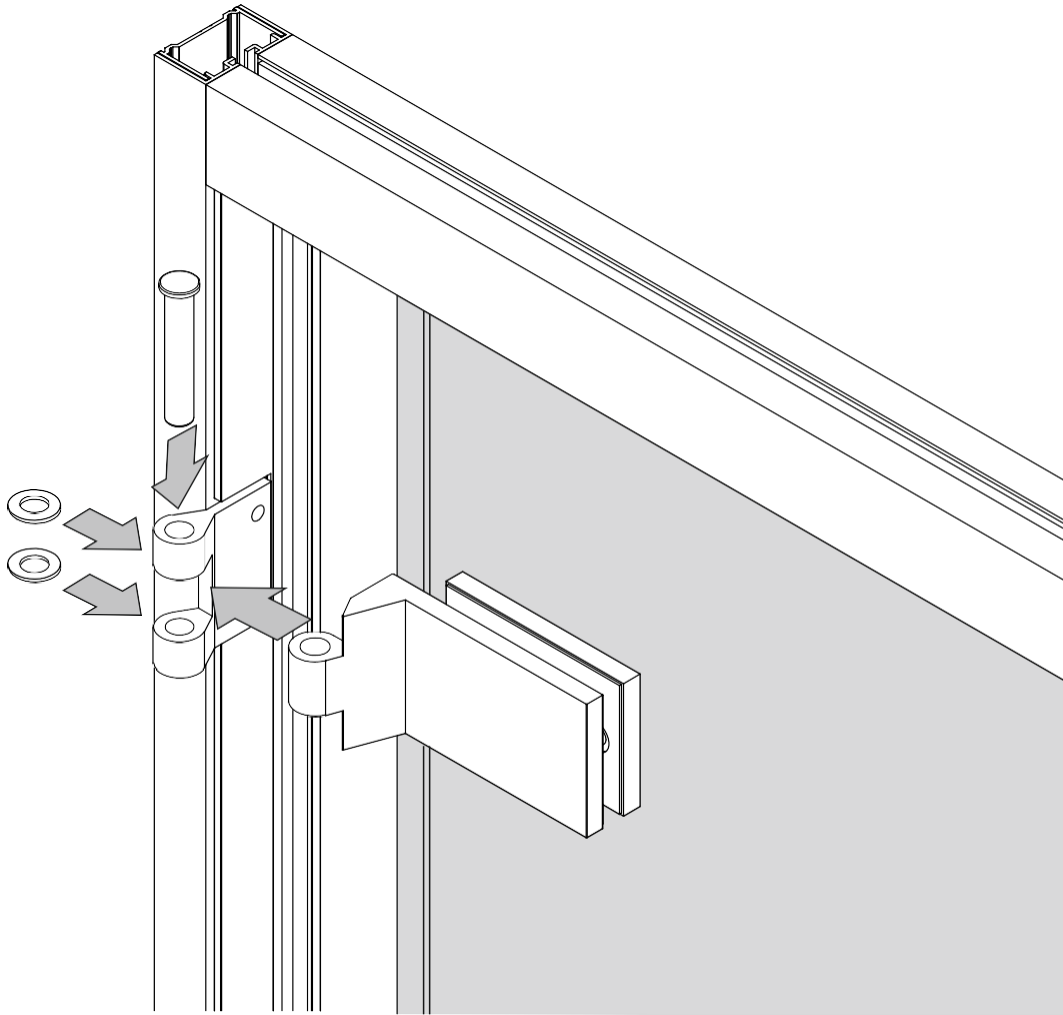


1 Using suction glass lifters, place the Return glass panel into the channel of the Wall Frame assembly and the channel of the Underframe.



12 Place the Corner Post in position and then fit the two Top Frames as shown. Note that the Top Frame over the Door should have a cover strip with door seal on its underside.

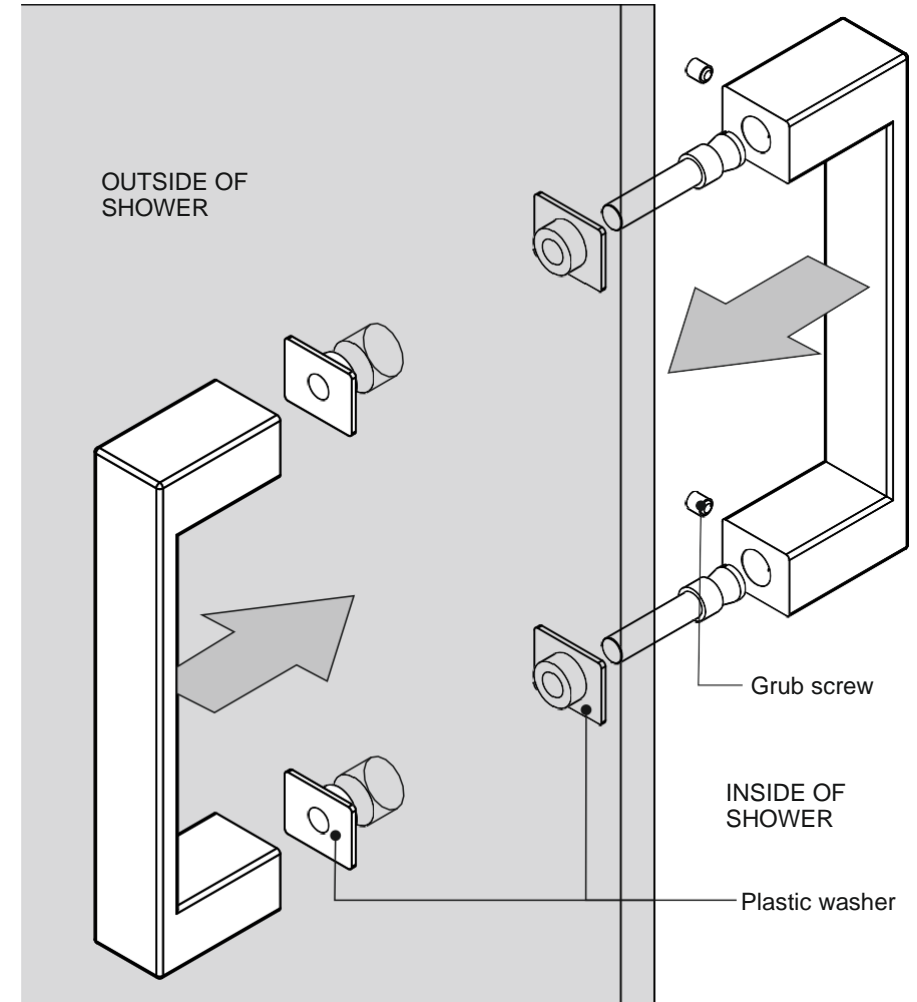
The ends of the Top Frames come fitted with lugs and projecting bolt heads that slide into the channel at the top of the vertical frames. Use the spanner provided to tighten the bolt heads so that the Top Profiles are locked to the vertical frames.



13

Offer up the assembled Door. Place the plastic washers in between the moving parts of the hinge as shown and drop the retaining pins into place from above.

Apply a light smear of grease to the hinge pins before inserting them.

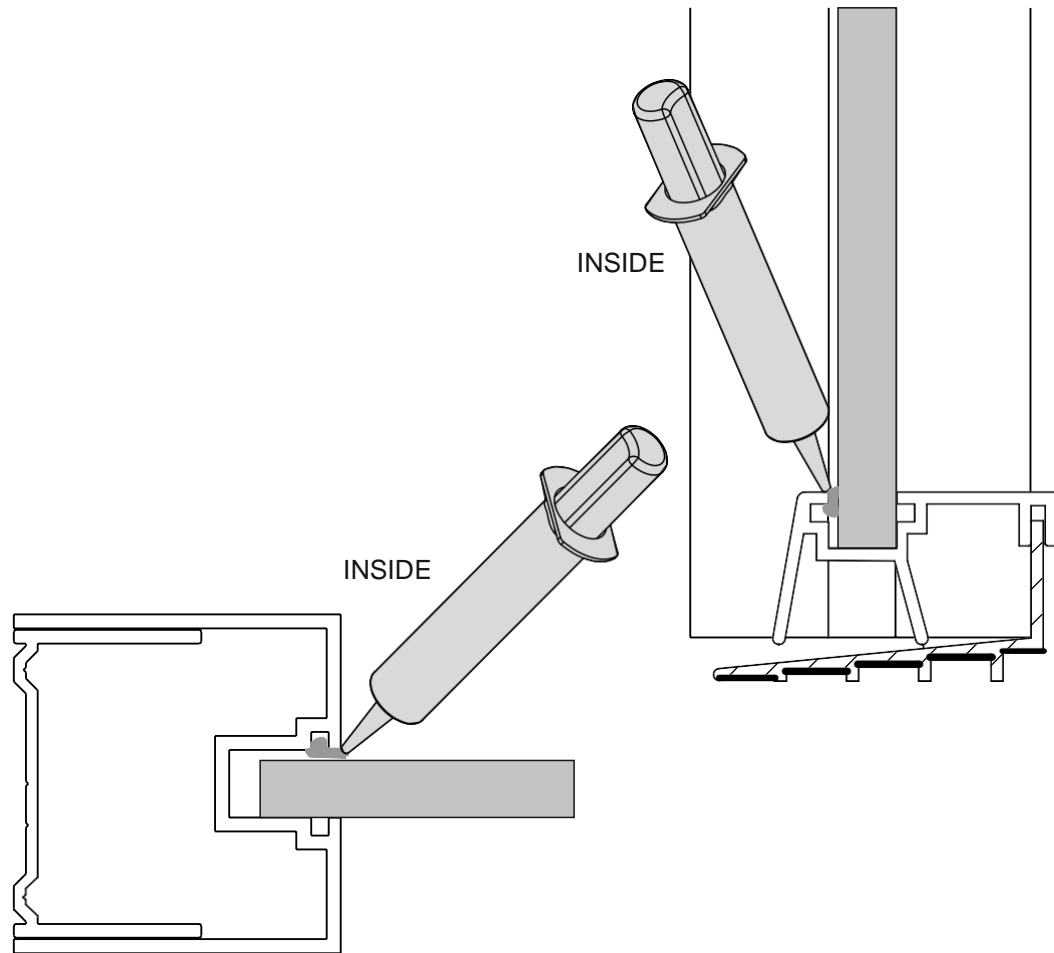


14

If you have chosen a back-to-back handle, fit this to the door as shown, ensuring the black plastic washers are located in the holes on both sides of the glass.

Tighten the grub screws on the inside handle to secure.

Alternatively, if you have chosen a towel rail handle, follow the instructions supplied with that handle

**15**

Seal around the glass panel on the inside of the shower only as shown above. Push or peg the glass away from you so that you have sufficient space between the glass and the frame and apply a thin bead of silicone.