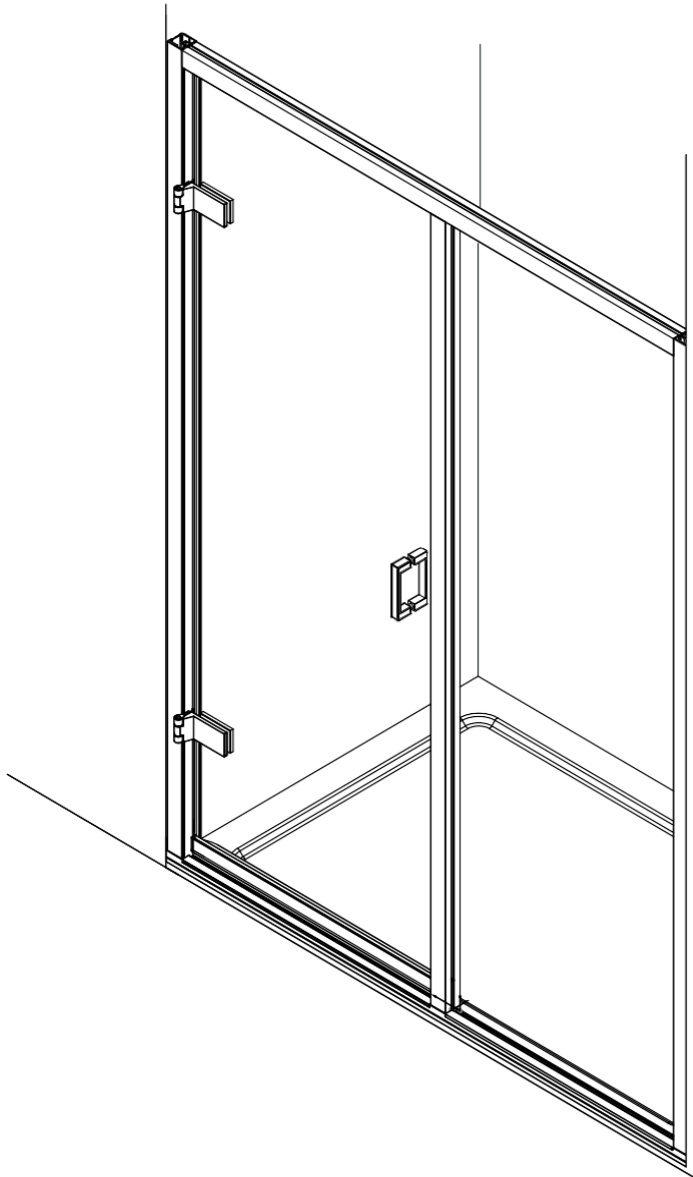


# MAJESTIC

LONDON 1968



Thank you for purchasing this Como shower enclosure. Please study these instructions carefully before assembly and installation.

### Checking of Parts

Parts are listed at the beginning of this guide. Please check all supplied parts immediately upon receipt and contact the Majestic Shower Company in the event of any missing or damaged parts.

### Handling of Parts

When handling glass, take care to ensure that corners or edges are not knocked. Do not place glass on hard surfaces - place cushioning material underneath to prevent the glass from shattering.

Unwrap all metal parts carefully to prevent damaging the plated surfaces.

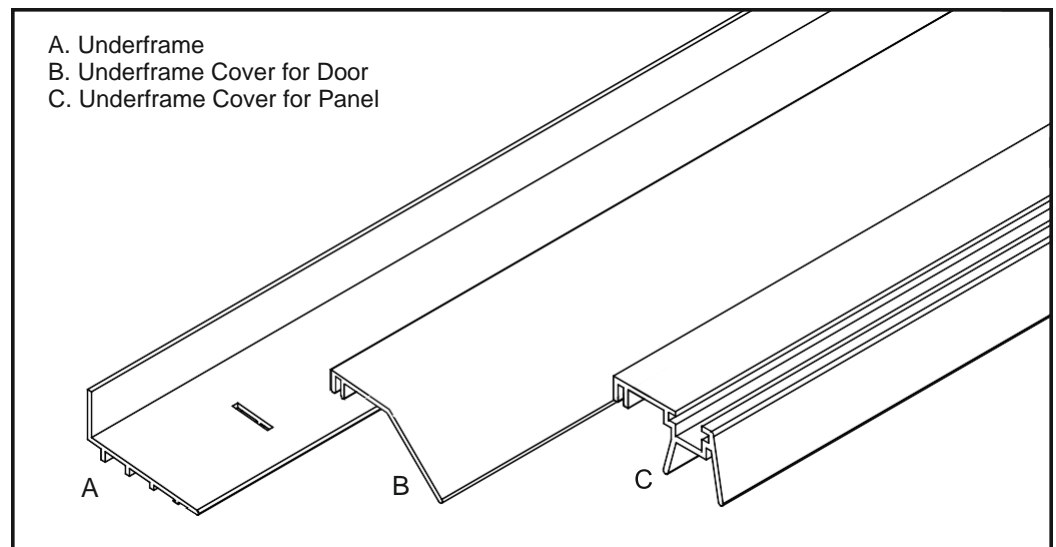
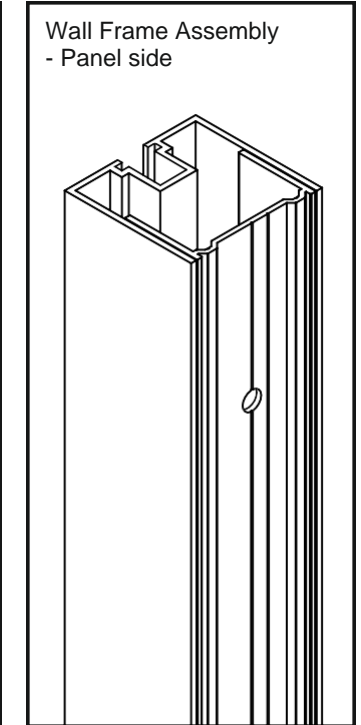
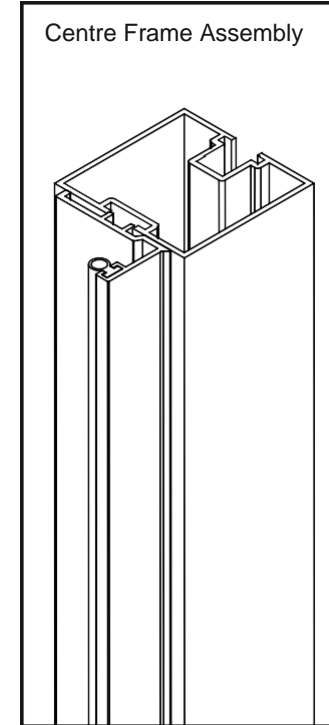
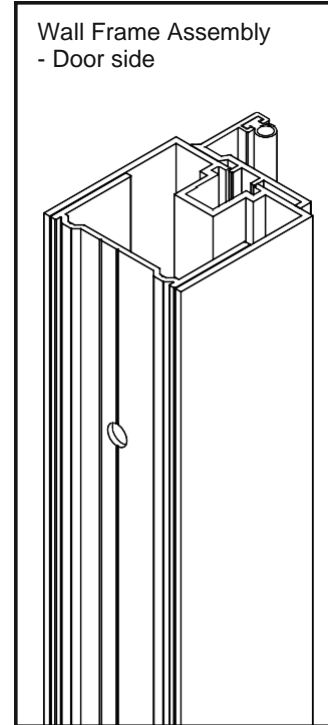
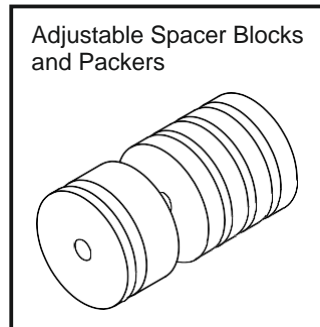
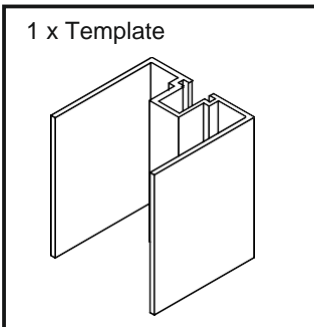
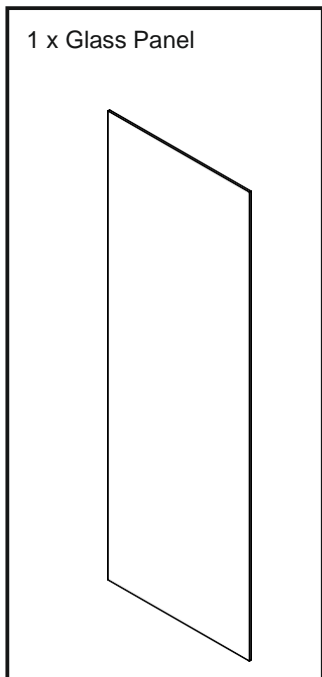
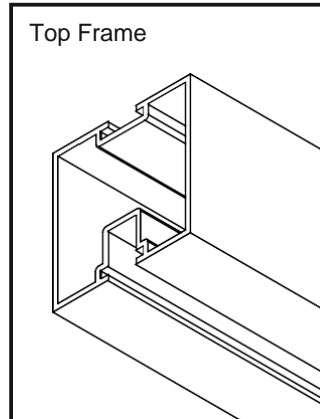
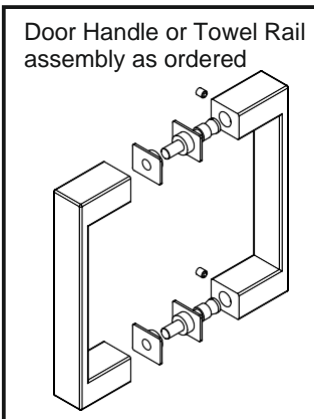
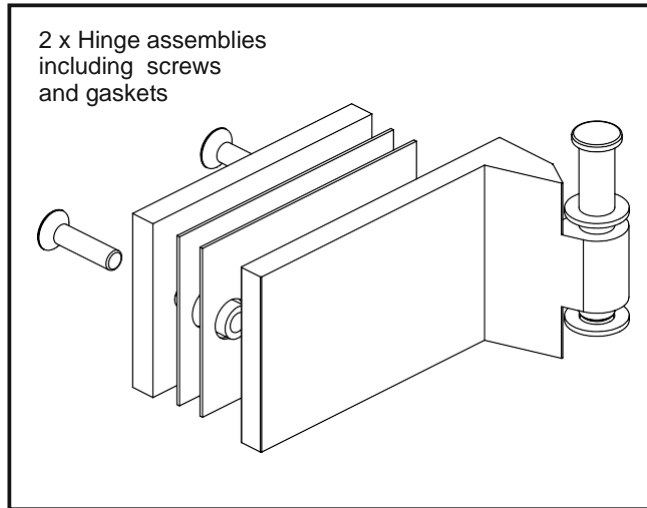
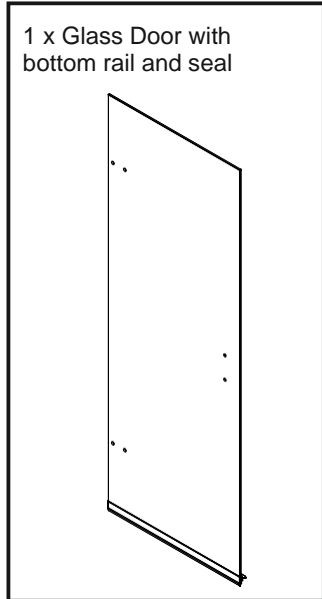
### Pre Installation Checks

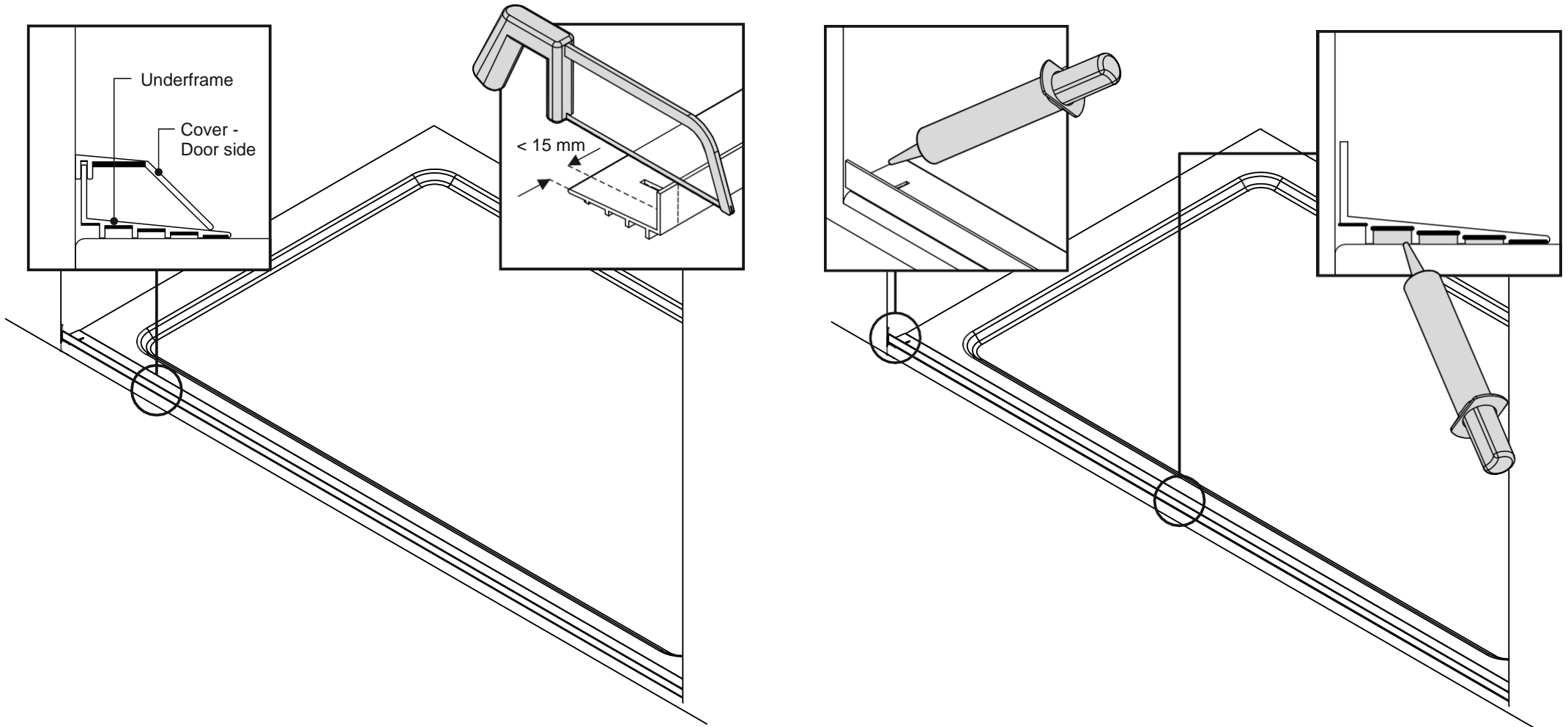
Prior to undertaking installation, check the accuracy of the following against specifications for the particular installation location:

- Verticality and flatness of the wall.
- Levelness and flatness of the floor or rim of the shower tray,



**DO NOT ASSEMBLE WITHOUT FULLY READING THESE INSTRUCTIONS**





1

The Underframe is supplied over length to be trimmed to size on site.

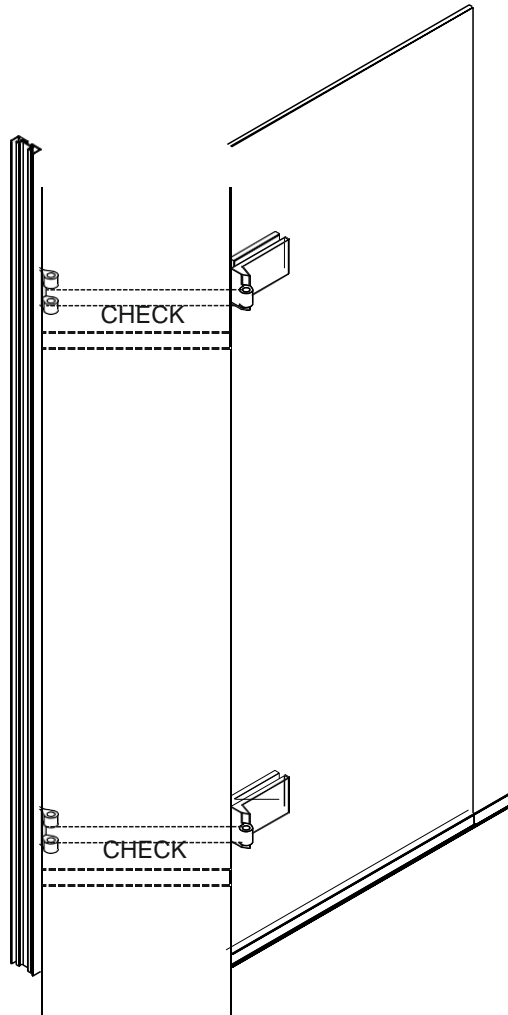
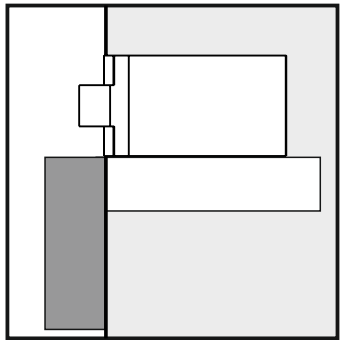
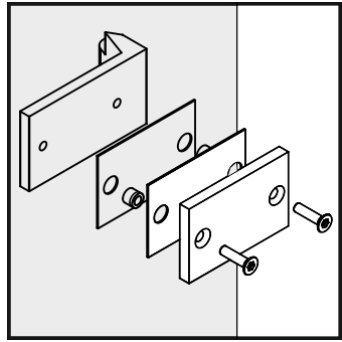
You can trim up to a maximum of 15 mm from each end of the Underframe. So that the wall profiles will be similar width on either side of the door, you would ideally trim an equal amount from both ends of the underframe. However, it is essential to first check the verticality of the walls. If a wall leans inwards, trim less from that end of the underframe. If it leans outwards trim relatively more. Cut the underframe with a junior hacksaw and file the cut ends smooth.

Do NOT cut the Underframe Cover to be used under the Door - this is supplied at the correct length for your door.

2

Apply a generous amount of silicone to the recesses on the underside of the Underframe and place it in position on the shower base. Hold it in position with masking tape until the silicone has set.

Apply a fillet of silicone at each end of the Underframe to seal it against the walls.

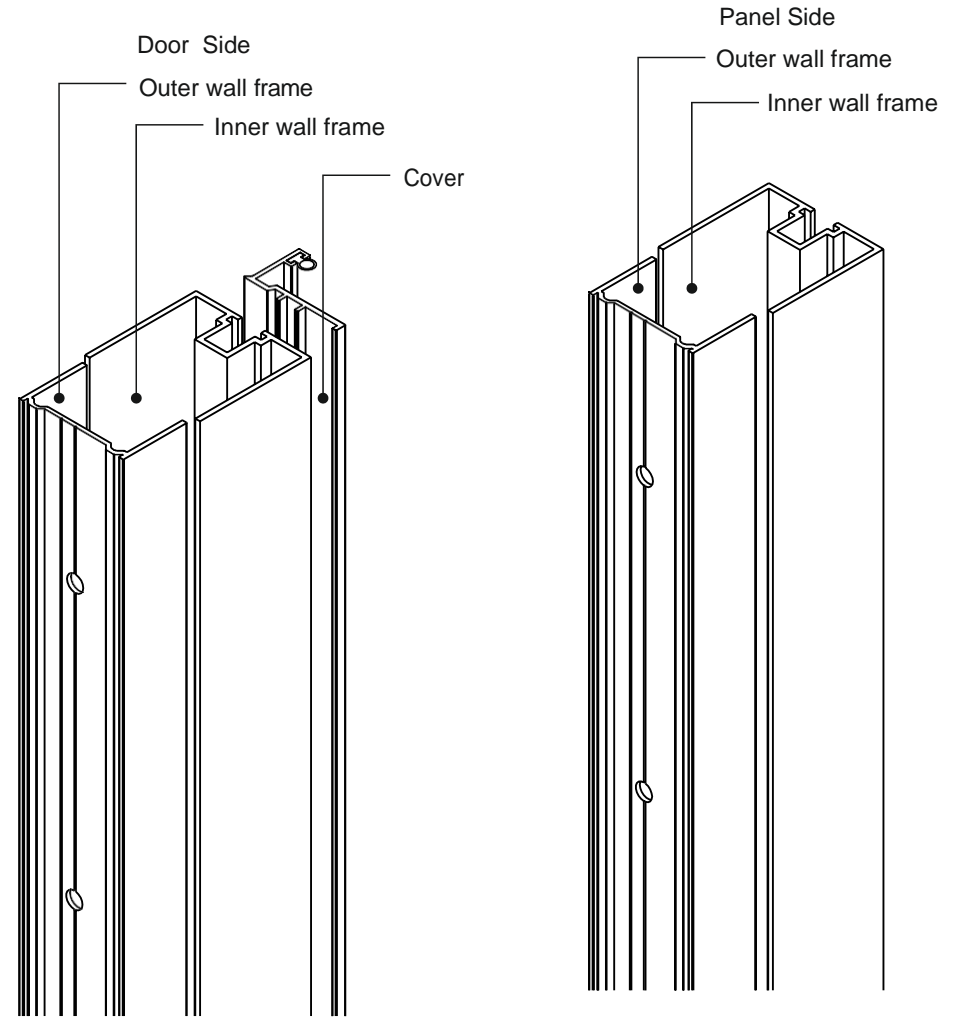


3

Assemble the hinges to the glass Door as shown. Ensure that the clear plastic sleeves are fitted inside the holes in the glass and that gaskets are placed either side of the glass.

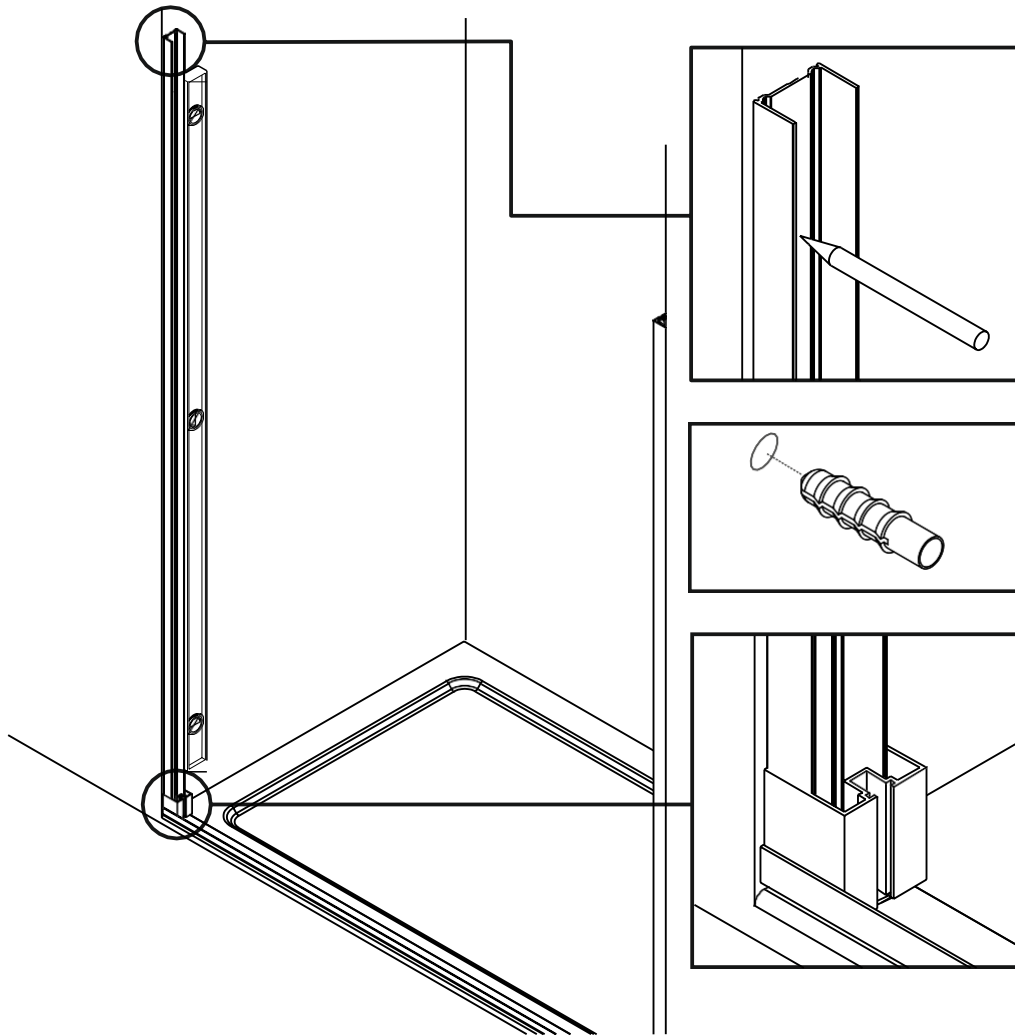
Use the wall profile cover with hinge parts attached to check the spacing between the hinges and use a set square to ensure that the hinges are correctly aligned.

Fully tighten the hinges. Leave for 10 minutes and then re-tighten to compensate for compression of the gaskets.



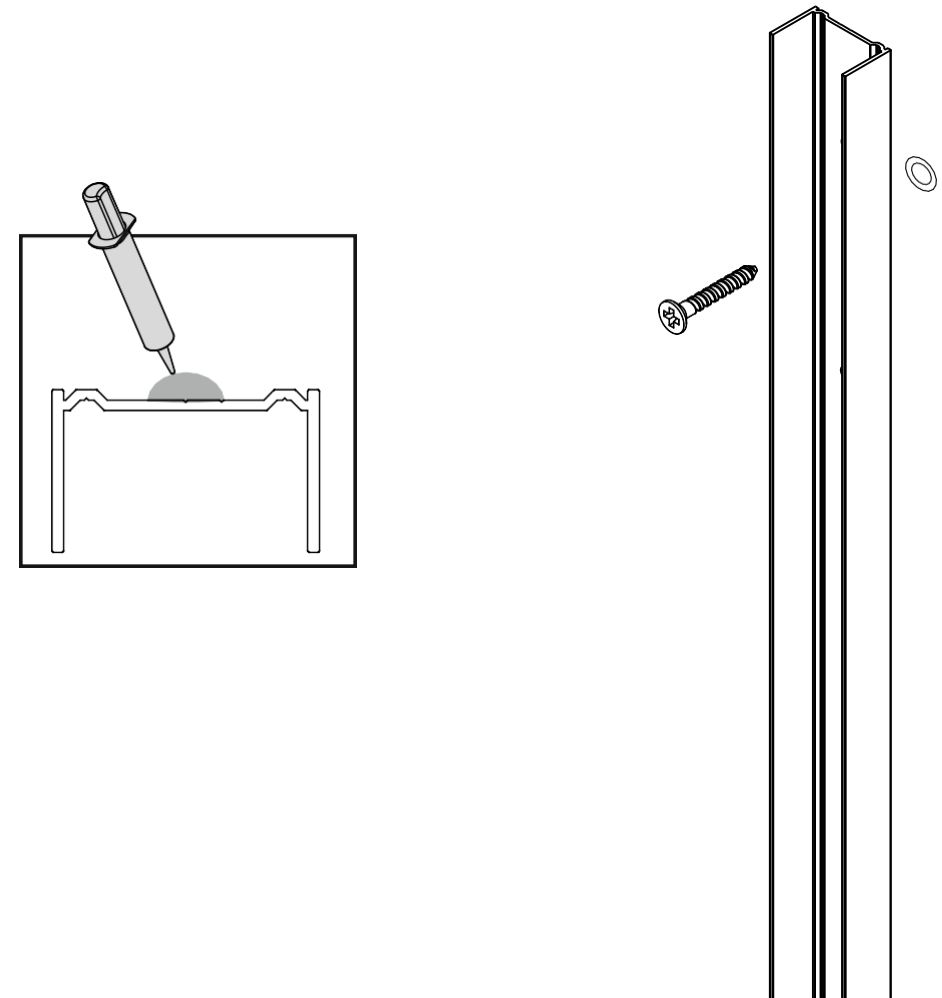
4

Unscrew and separate the Wall Frame assemblies as shown .



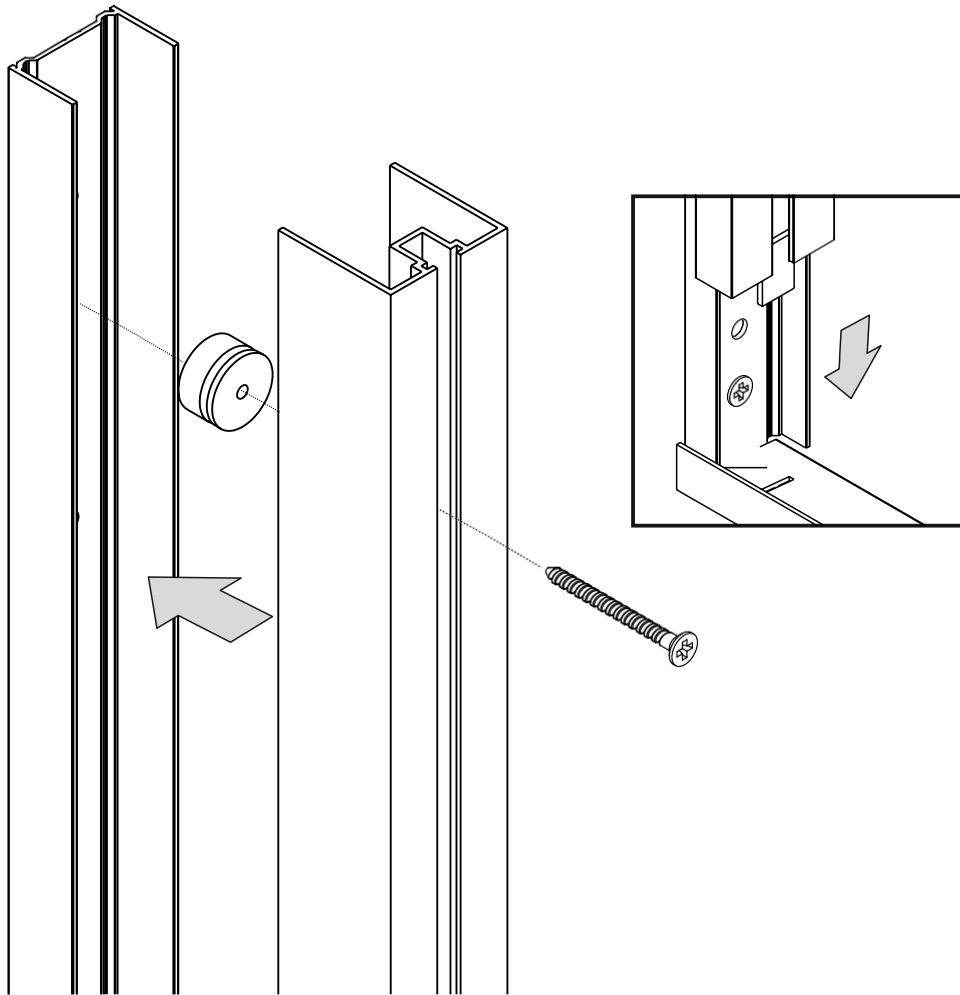
**5** Place the outer wall frames in position. Use the template provided to position the bottom of each outer frame and ensure that there is enough space between it and the Underframe for the inner wall frames to be fitted later. Use a spirit level to ensure that the frames are plumb vertical.

Mark all screw hole positions on the wall, and drill and fit the wall plugs provided.



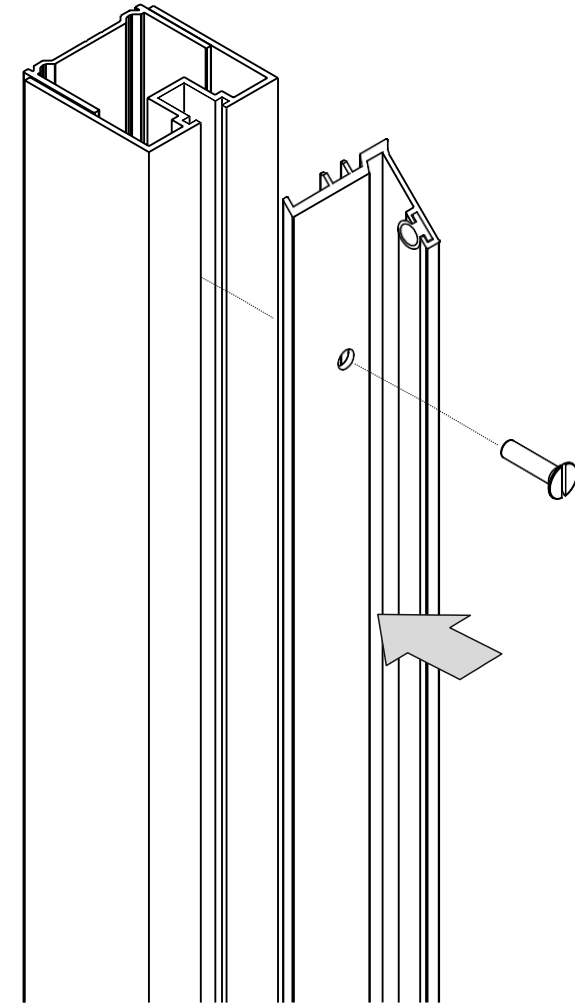
**6** Run a bead of silicone down the back of the outer wall frames as shown to ensure a waterproof seal against the wall.

Using 3 of the short (30 mm) screws supplied for each outer frame, screw the frames to the wall at top, bottom and middle, using the countersunk holes in the frame.

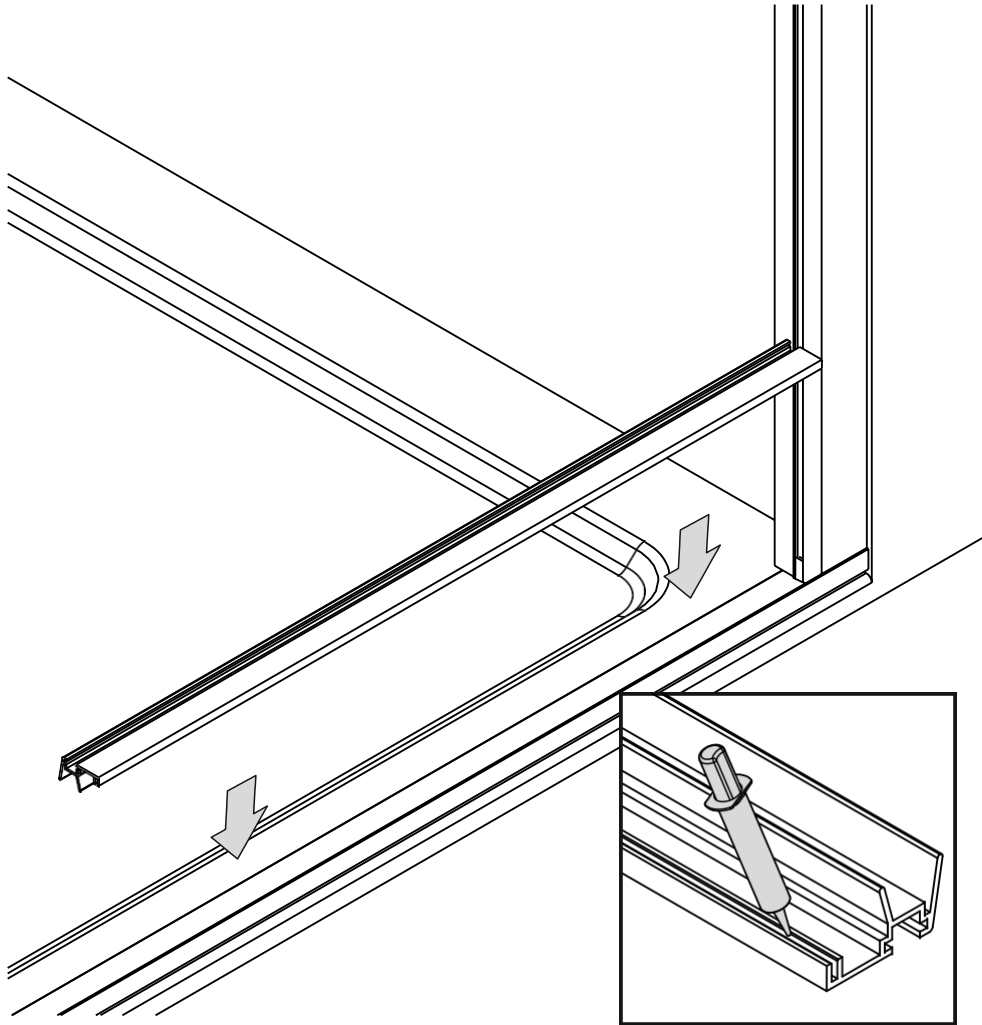


**7** Assemble the inner wall frames to the outer frames using the longer screws provided in the remaining holes. Note that inner frame on the door side has a small metal tag protruding at the bottom which is to locate in the pierced slot at the end of the Underframe.

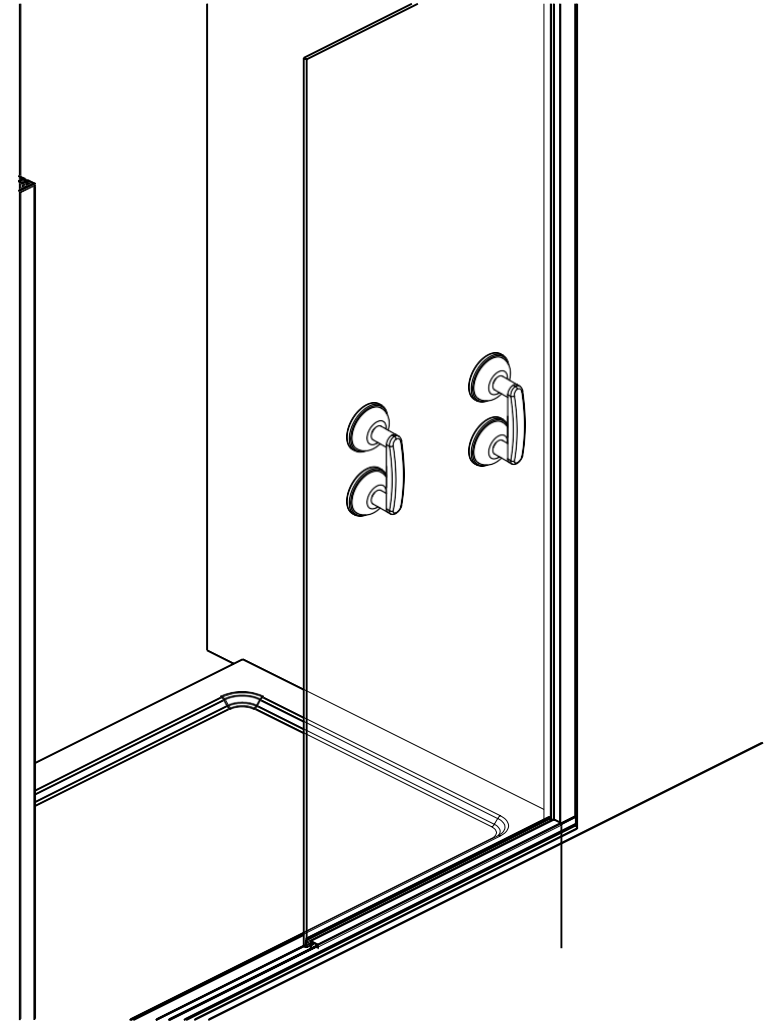
Before screwing the frames together, place an Adjustable Spacer, and an additional Packer if necessary, between the inner and outer frames as required to compensate for any lean in or lean out of the walls and to ensure that the faces of the inner frames are plumb vertical.



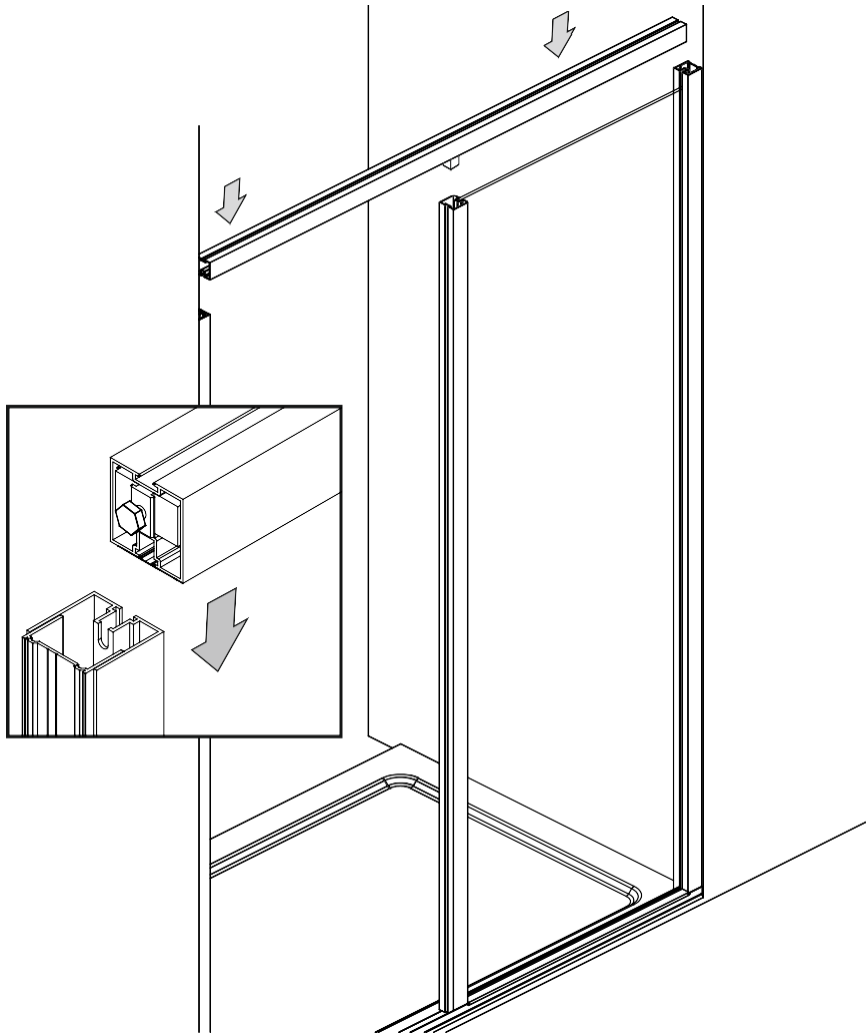
**8** Once you are satisfied that the faces of the inner wall frames are at 90 degrees to the shower base, fully tighten the wall screws and replace the cover plate on the Door side Wall Frame as shown.



**9** Fit the Panel side Underframe Cover to the underframe. Apply a thin bead of silicone to the groove on the underside of the cover to retain it.



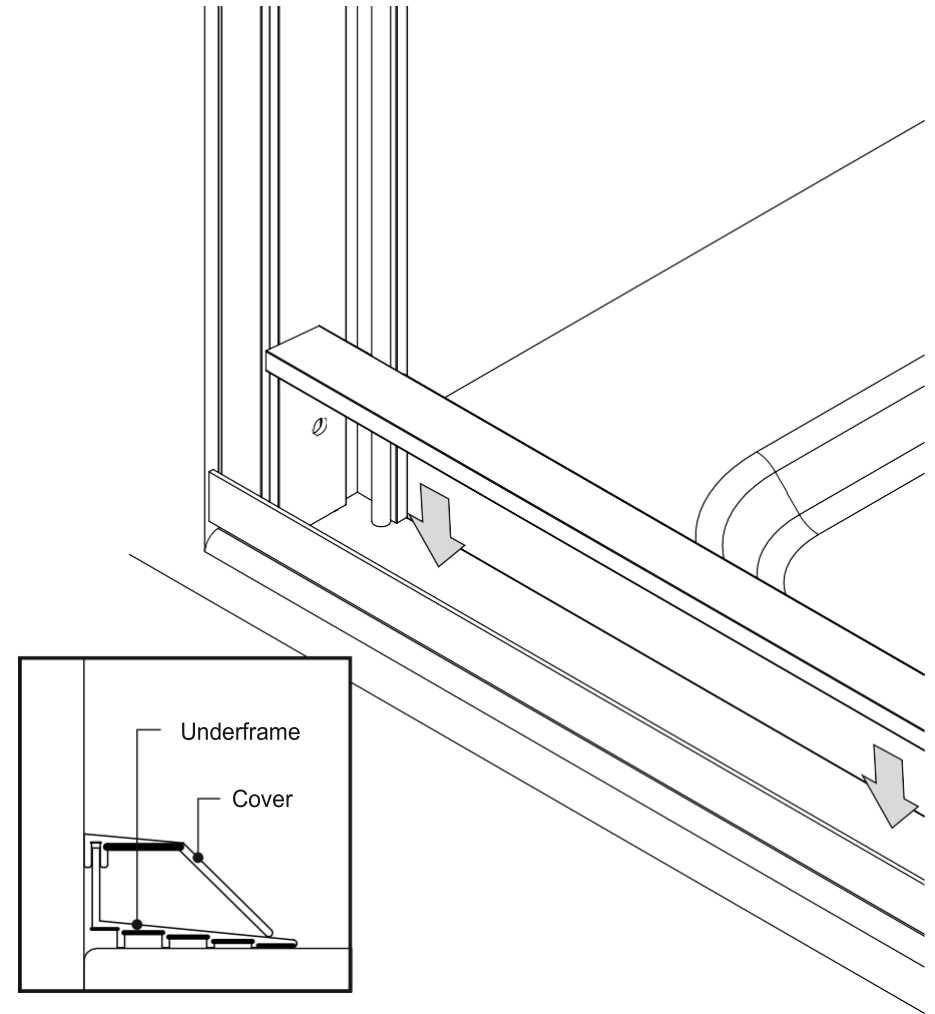
**10** Using suction glass lifters, place the glass panel in position in the channels in the Underframe Cover and the Wall Frame.



**1** Position the Centre Frame assembly and lower the Top Rail into position.

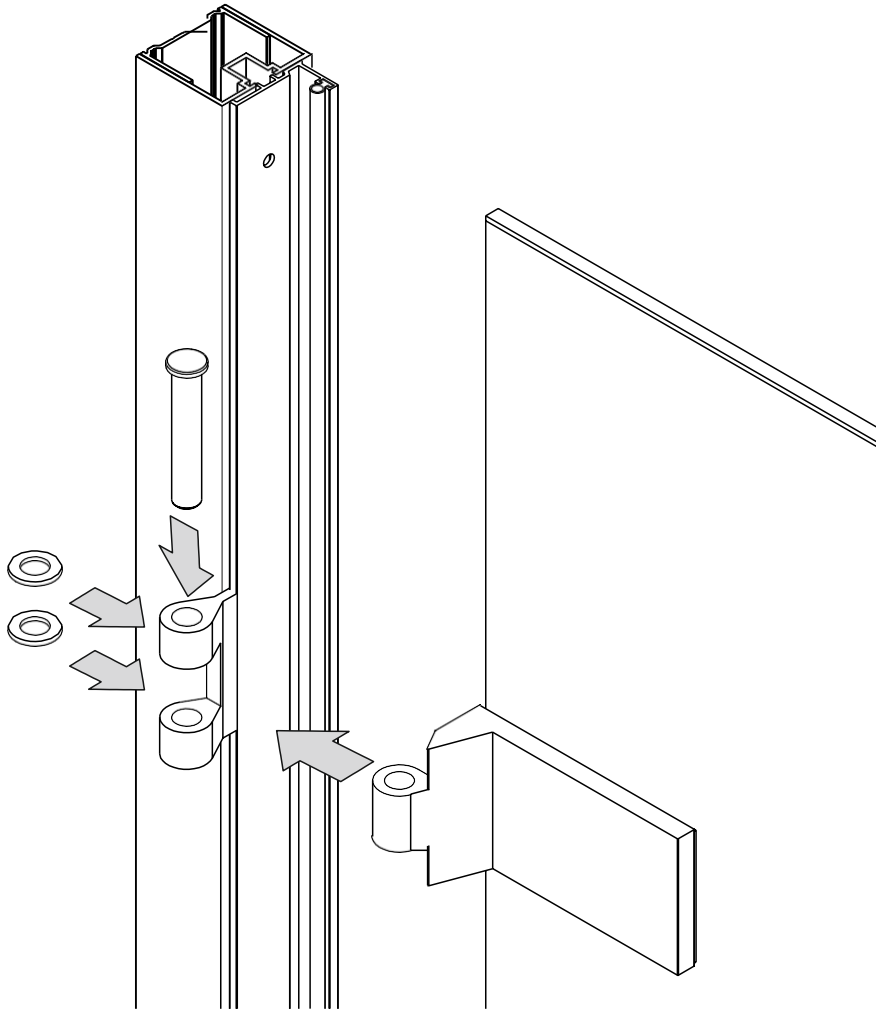
The ends of the Head Rail are fitted with lugs and projecting boltheads. Slide the lugs in to the Wall Frame assemblies and use the spanner provided to tighten the bolt heads and lock the Rail in position.

The lug which projects from the underside of the centre of the Head Rail fits in to the top of the Centre Frame. From the inside of the shower drill through the top of Centre Frame into this lug and secure with the self tapping screw provided.



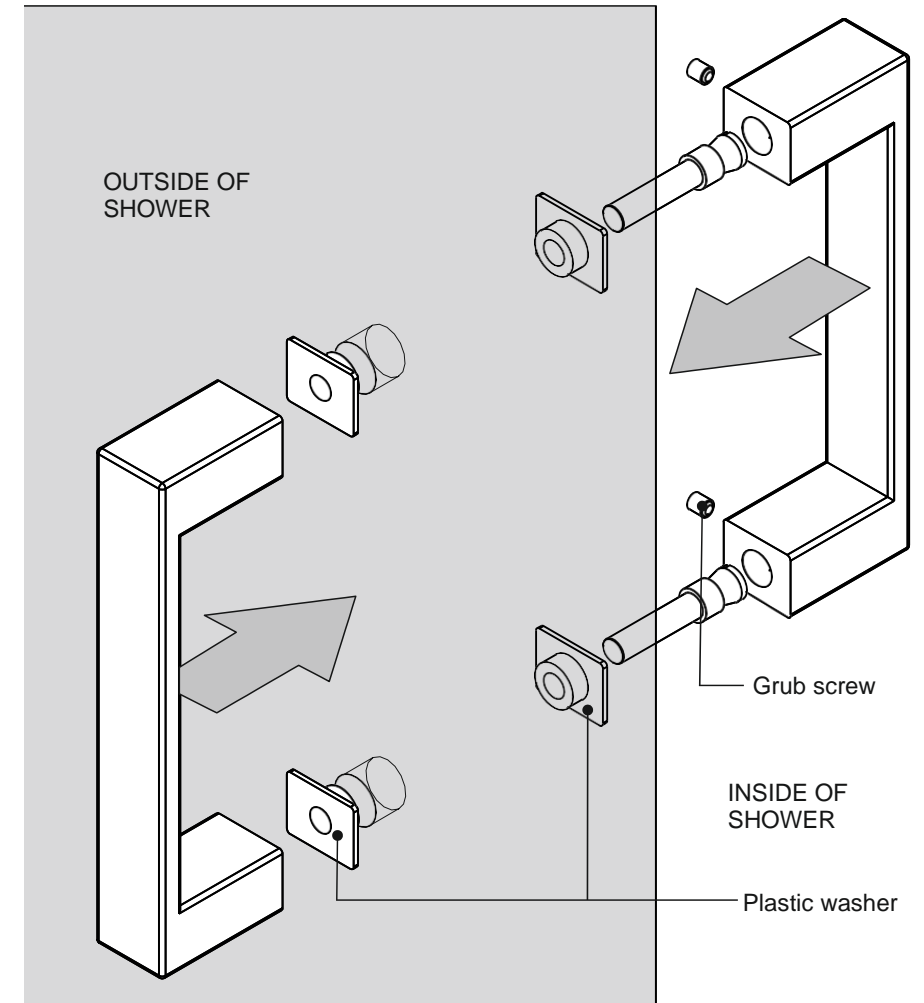
**12** Fit the Door side Underframe Cover to the Underframe. This part is intended to be removable to facilitate cleaning.





**13** Offer up the assembled Door. Place the plastic washers in between the moving parts of the hinge as shown and drop the retaining pins into place from above.

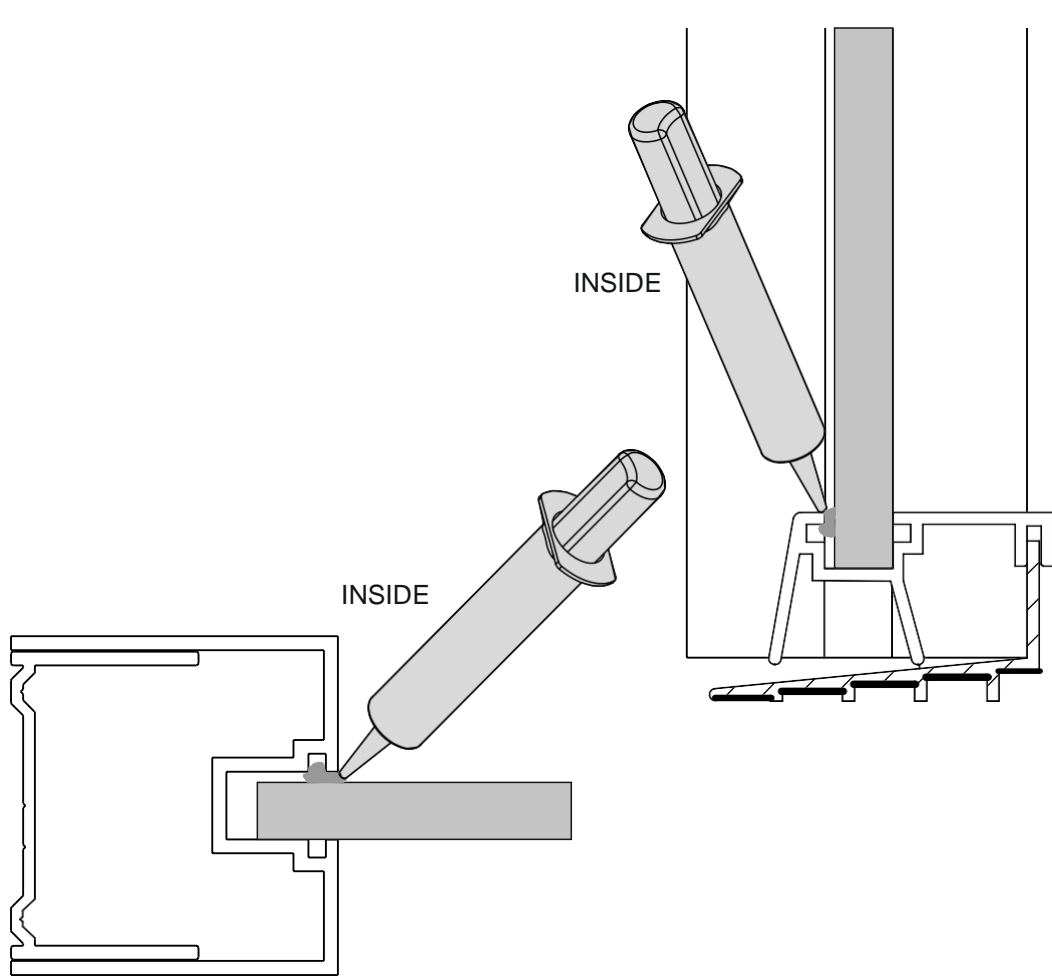
Apply a light smear of grease to the hinge pins before inserting them.



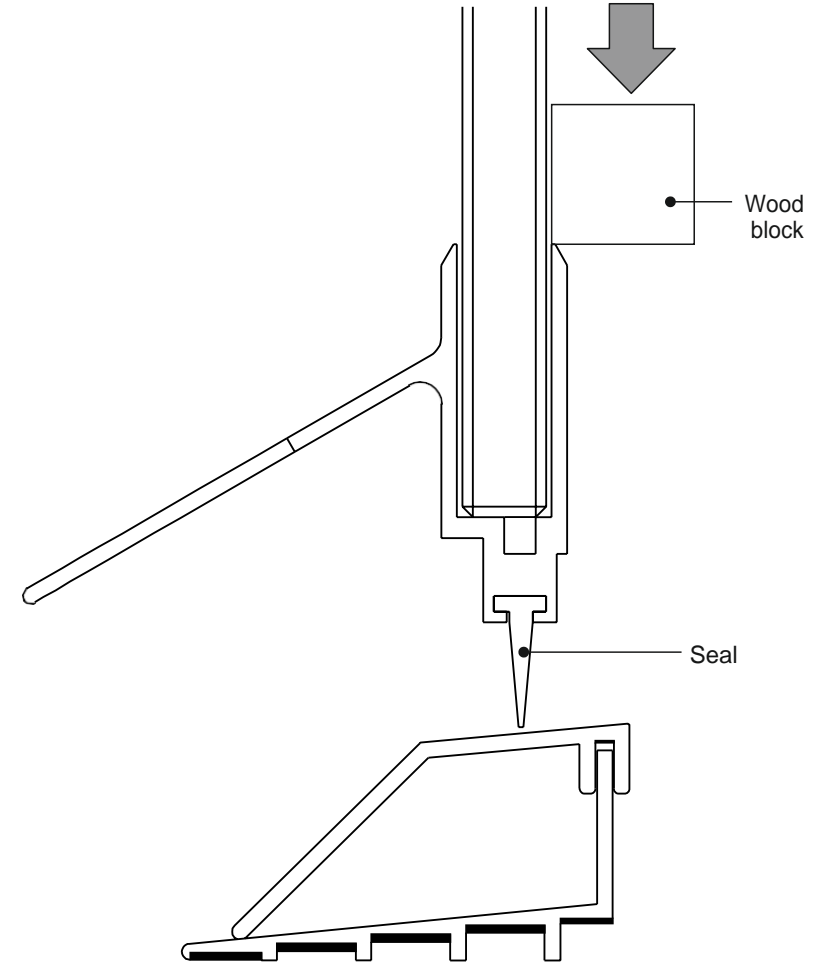
**14** If you have chosen a back-to-back handle, fit this to the door as shown, ensuring the black plastic washers are located in the holes on both sides of the glass.

Tighten the grub screws on the inside handle to secure.

Alternatively, if you have chosen a towel rail handle, follow the instructions supplied with that handle



**15** Seal around the glass panel on the inside of the shower only as shown above. Push or peg the glass away from you so that you have sufficient space between the glass and the frame and apply a thin bead of silicone.



**16** Check that the door opens and closes easily and that the seal at the bottom of the door sits close to the underframe. If there is a gap, use a block of wood and a mallet to gently tap the extrusion holding the seal downwards along its length.