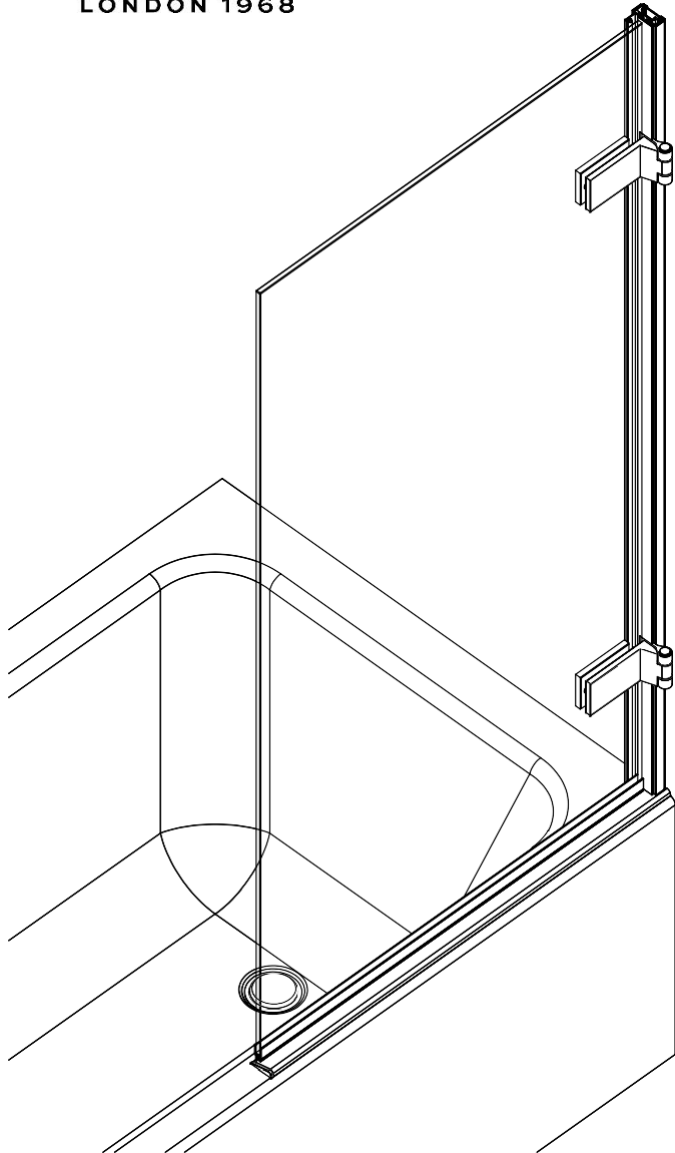


MAJESTIC

LONDON 1968



Thank you for purchasing this Alessi bath screen. Please study these instructions carefully before assembly and installation.

Checking of Parts

Parts are listed at the beginning of this guide. Please check all supplied parts immediately upon receipt and contact the Majestic Shower Company in the event of any missing or damaged parts.

Handling of Parts

When handling glass, take care to ensure that corners or edges are not knocked. Do not place glass on hard surfaces - place cushioning material underneath to prevent the glass from shattering.

Unwrap all metal parts carefully to prevent damaging the plated surfaces.

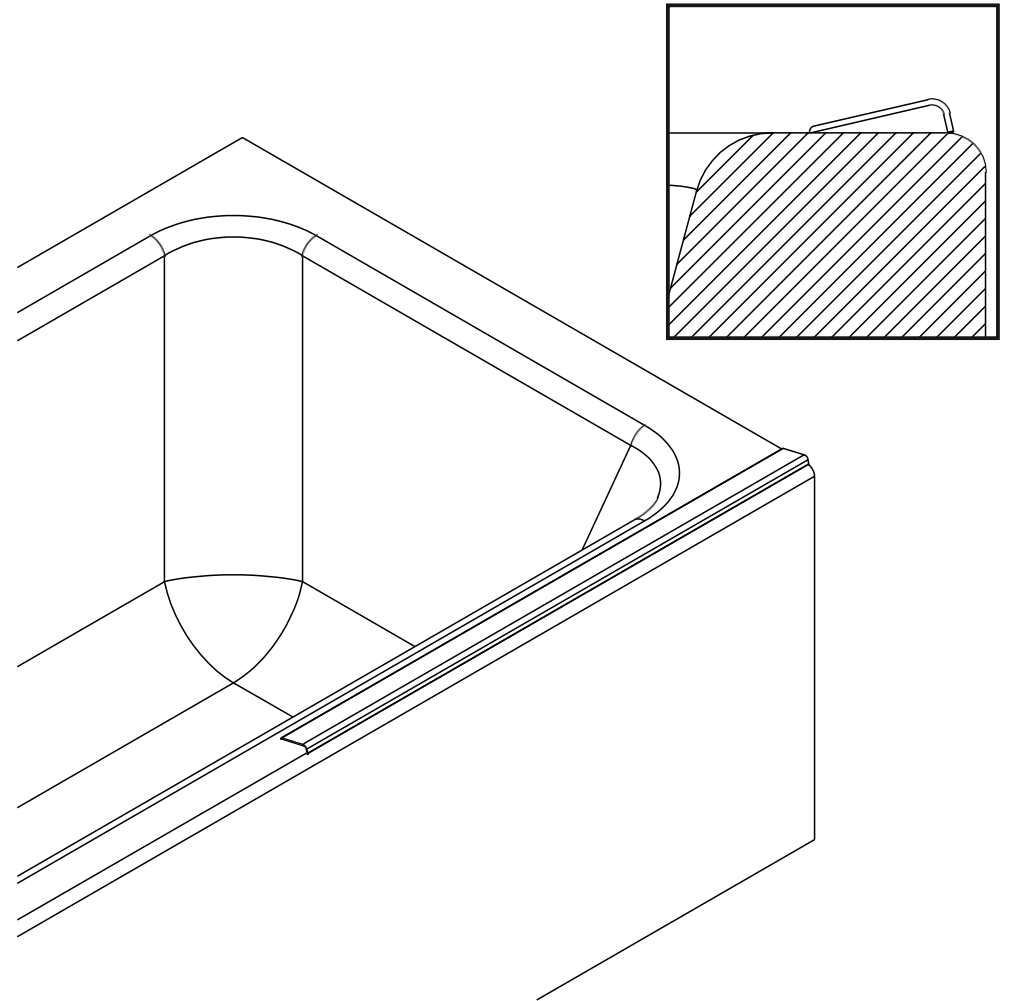
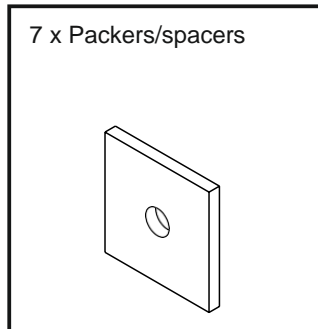
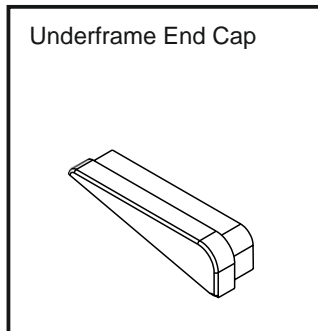
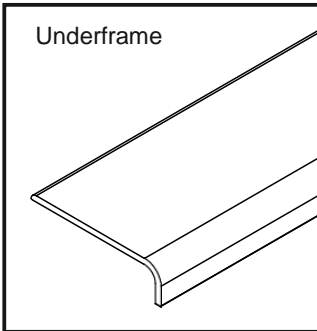
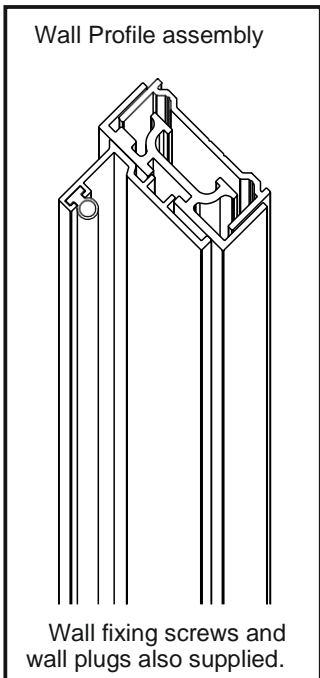
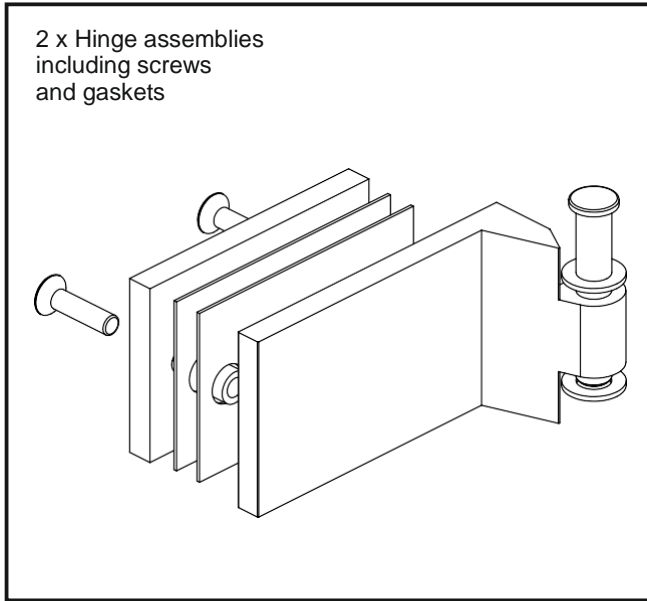
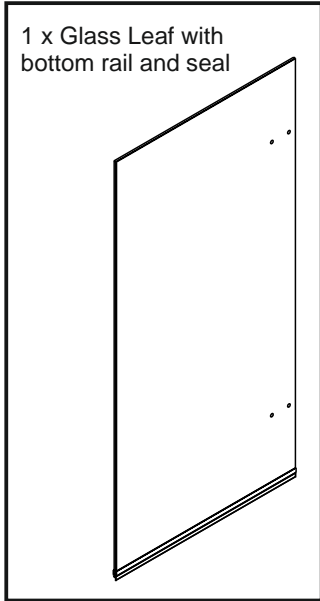
Pre Installation Checks

Prior to undertaking installation, check the accuracy of the following against specifications for the particular installation location:

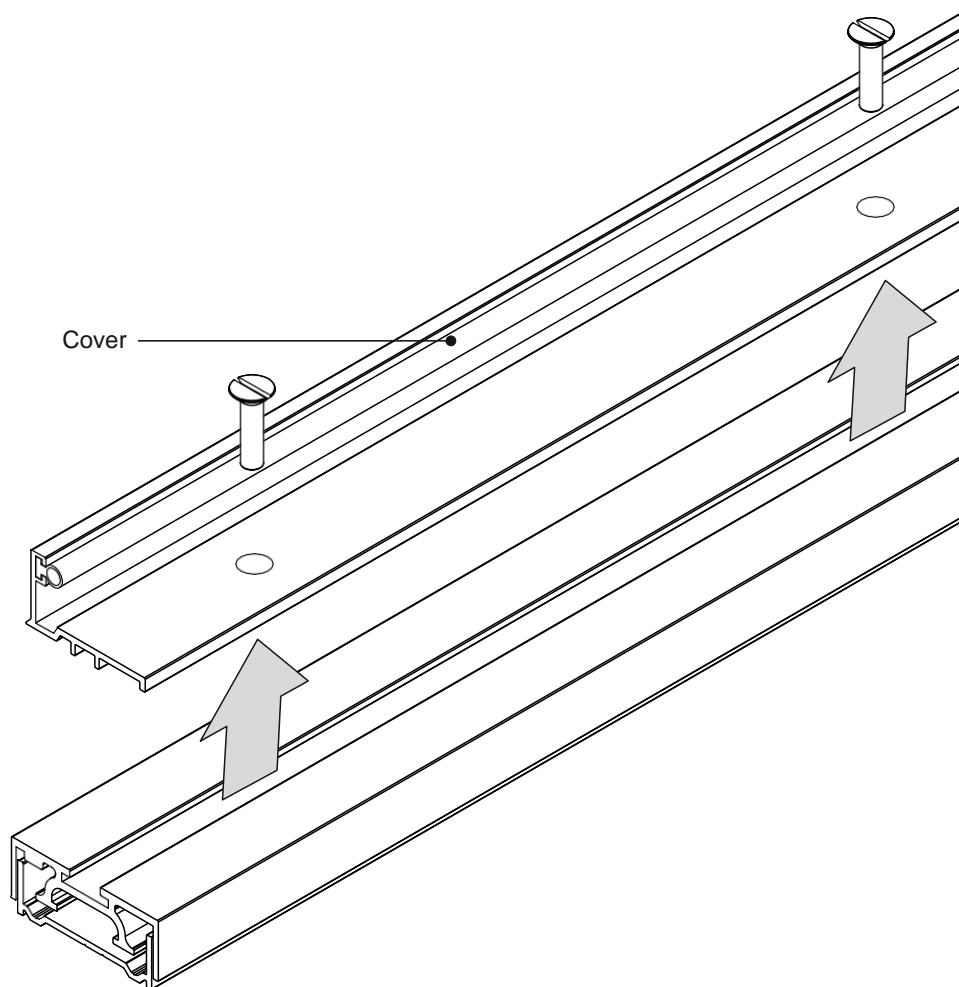
- Verticality and flatness of the wall. A maximum of 8 mm lean in or lean out of the wall relative to the rim of the bath can be accommodated by the wall profiles.
- Levelness and flatness of the rim of the bath.



DO NOT ASSEMBLE WITHOUT FULLY READING THESE INSTRUCTIONS

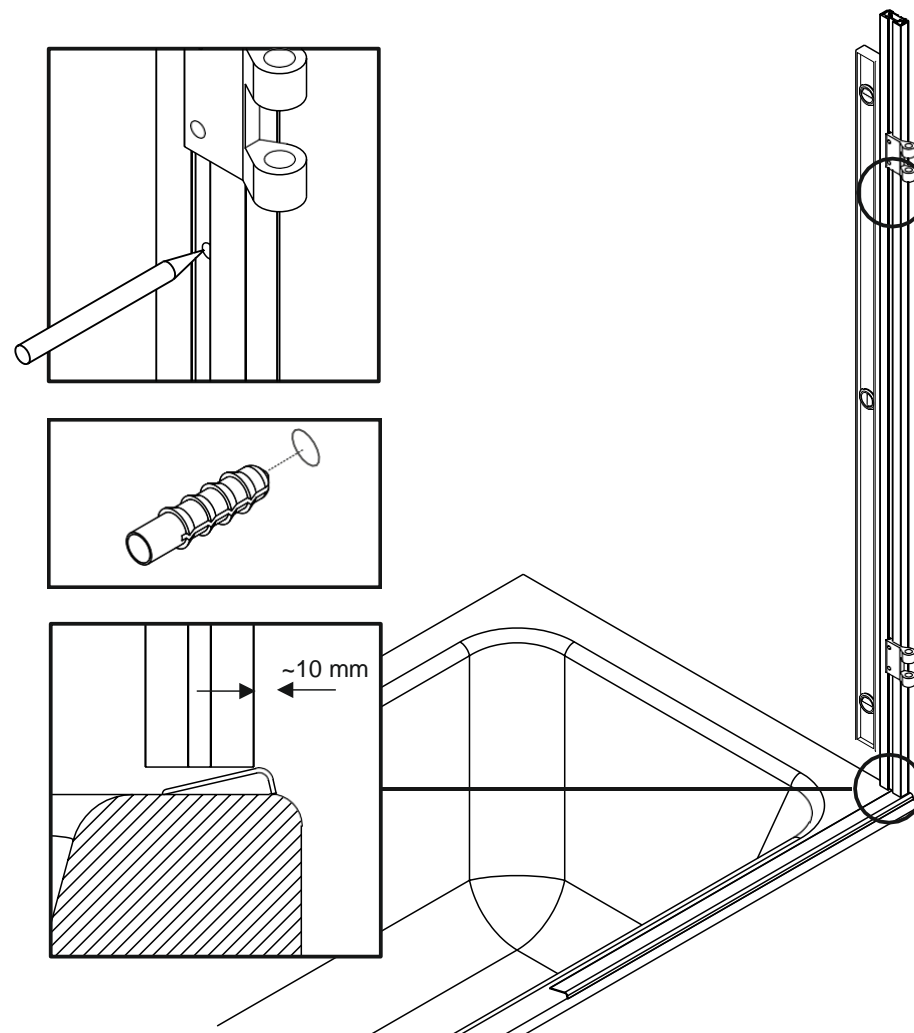


- 1 Position the underframe on a substantially flat section of the rim of the bath approximately as shown, with the gentle ramp facing inwards and one end touching the wall.
- Mark its position carefully so that you are later able to remove and replace it and tape it in position with masking tape.



2

Unscrew and separate the cover from the wall profile assembly as shown .

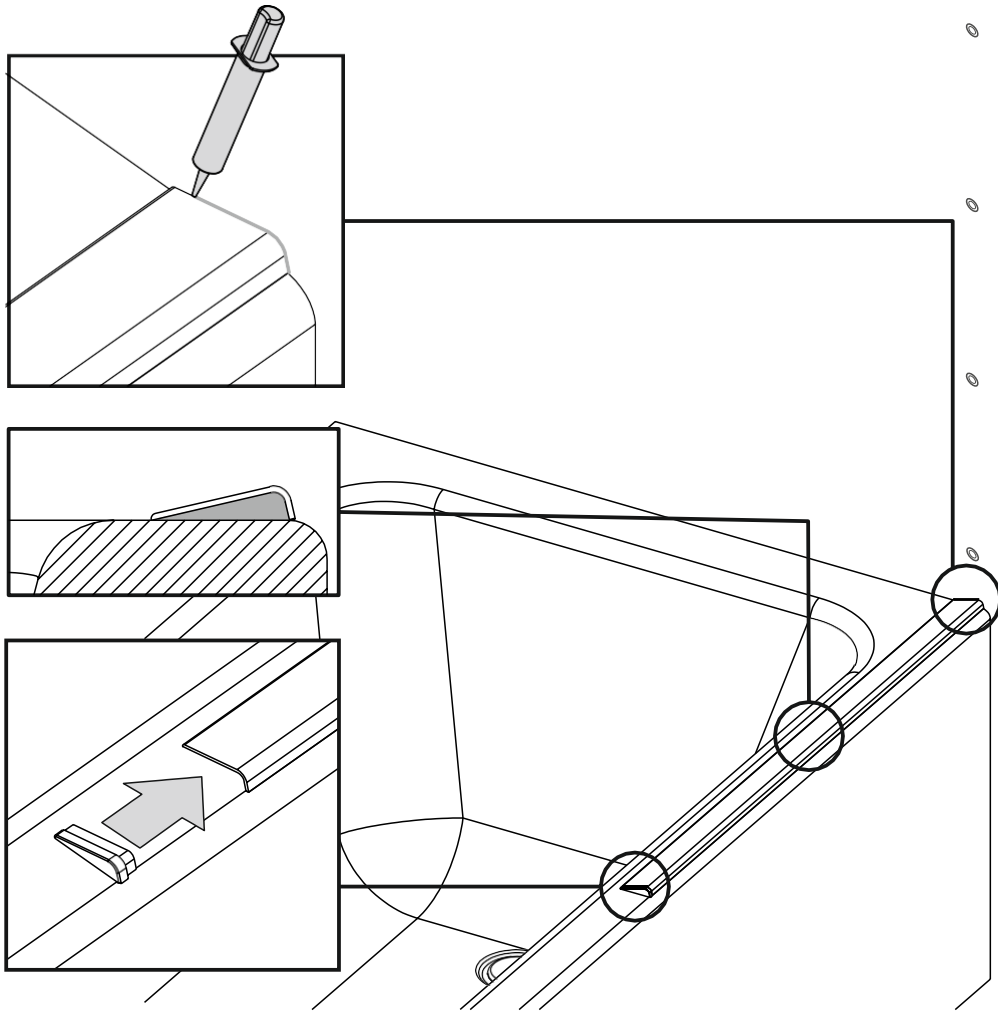


3

Position the vertical wall profiles so that their bottom corner rests on the underframe, about 10 mm inboard of its edge as shown above.

Check that the profiles are plumb vertical and then mark the 5 wall fixing positions through the pre-drilled holes.

Remove the profiles, drill the wall and fit the 6 mm wall plugs provided.

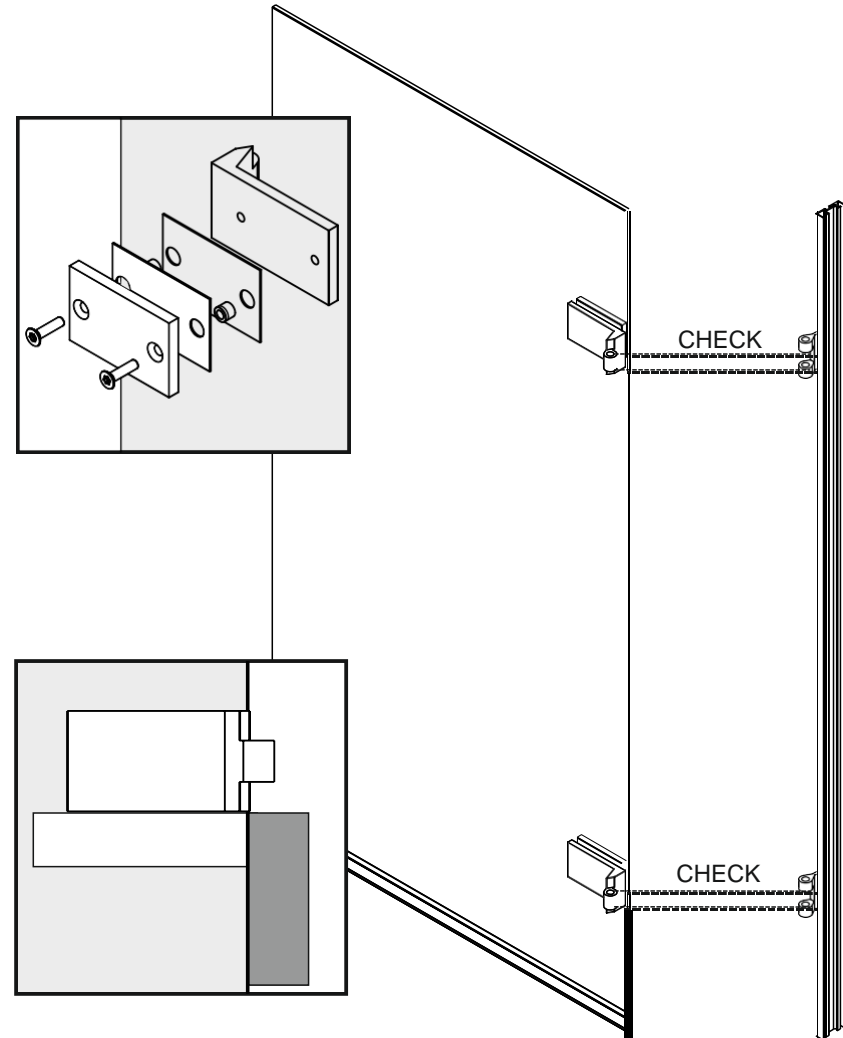


4

Apply a generous bead of silicone to the underside of the Underframe and replace it in its marked position. Ensure that the junction between the end of the Underframe and the wall is sealed with silicone.

Silicone the Underframe End Cap in position.

Carefully fix the underframe in position with masking tape and leave for 24 hours before removing the tape.

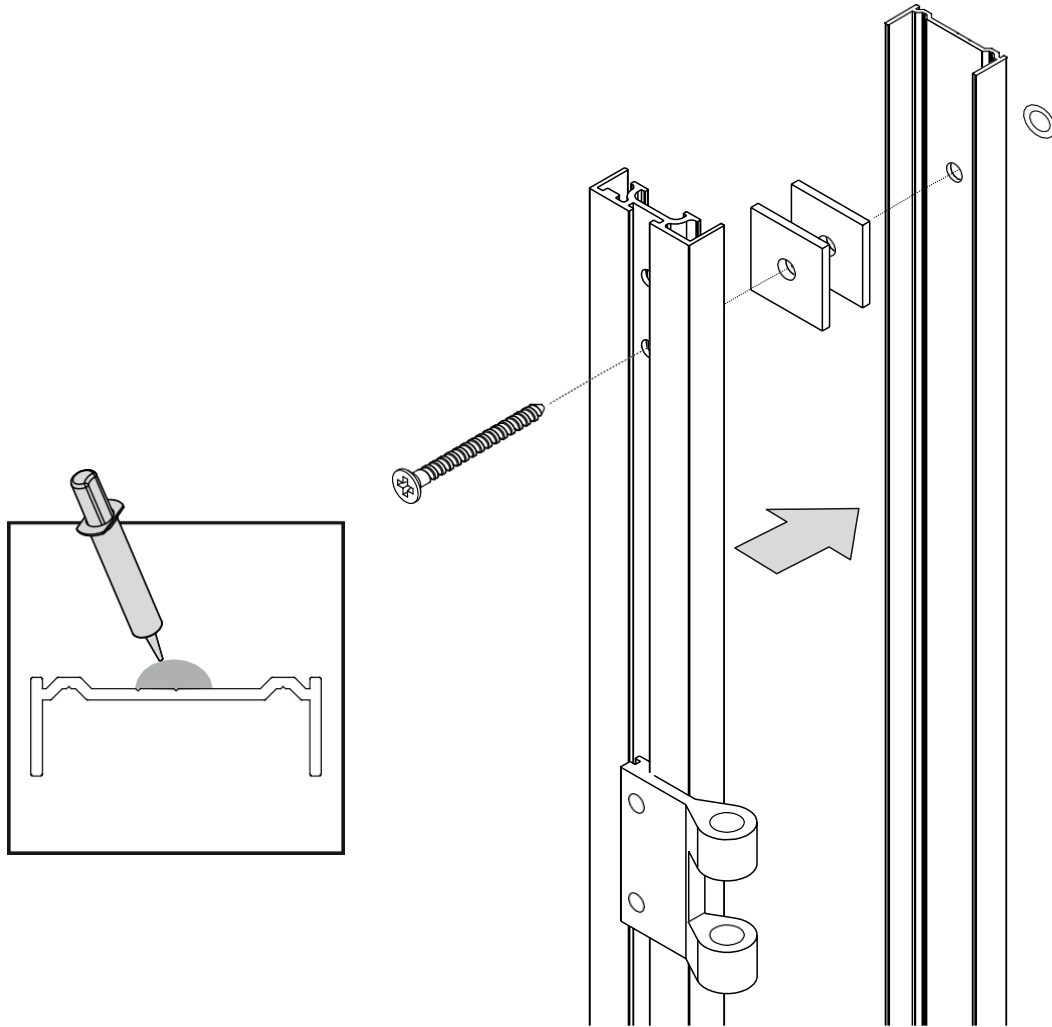


5

Assemble the hinges to the glass leaf as shown. Ensure that the clear plastic sleeves are fitted inside the holes in the glass and that gaskets are placed either side of the glass.

Use the wall profile with hinge parts attached to check the spacing between the hinges and use a set square to ensure that the hinges are correctly aligned.

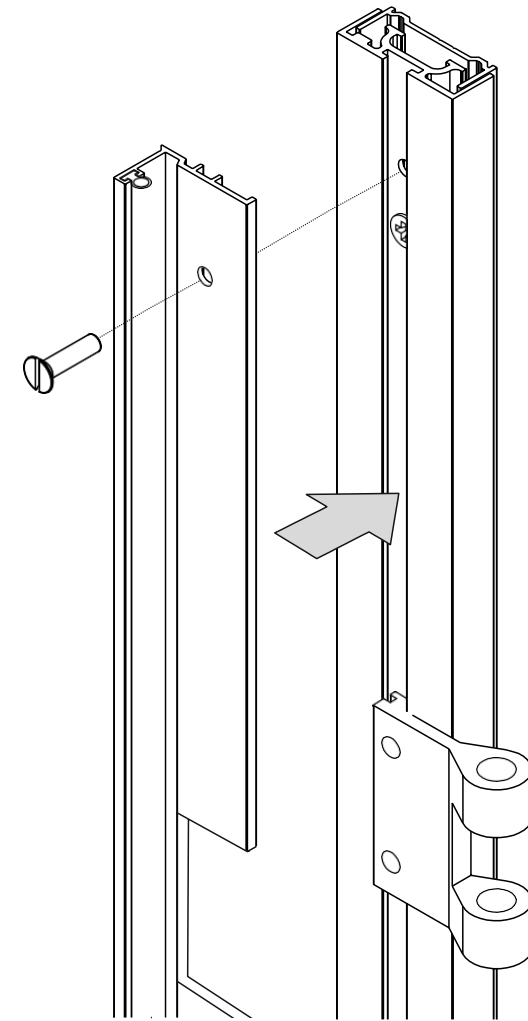
Fully tighten the hinges. Leave for 10 minutes and then re-tighten to compensate for compression of the gaskets.



6

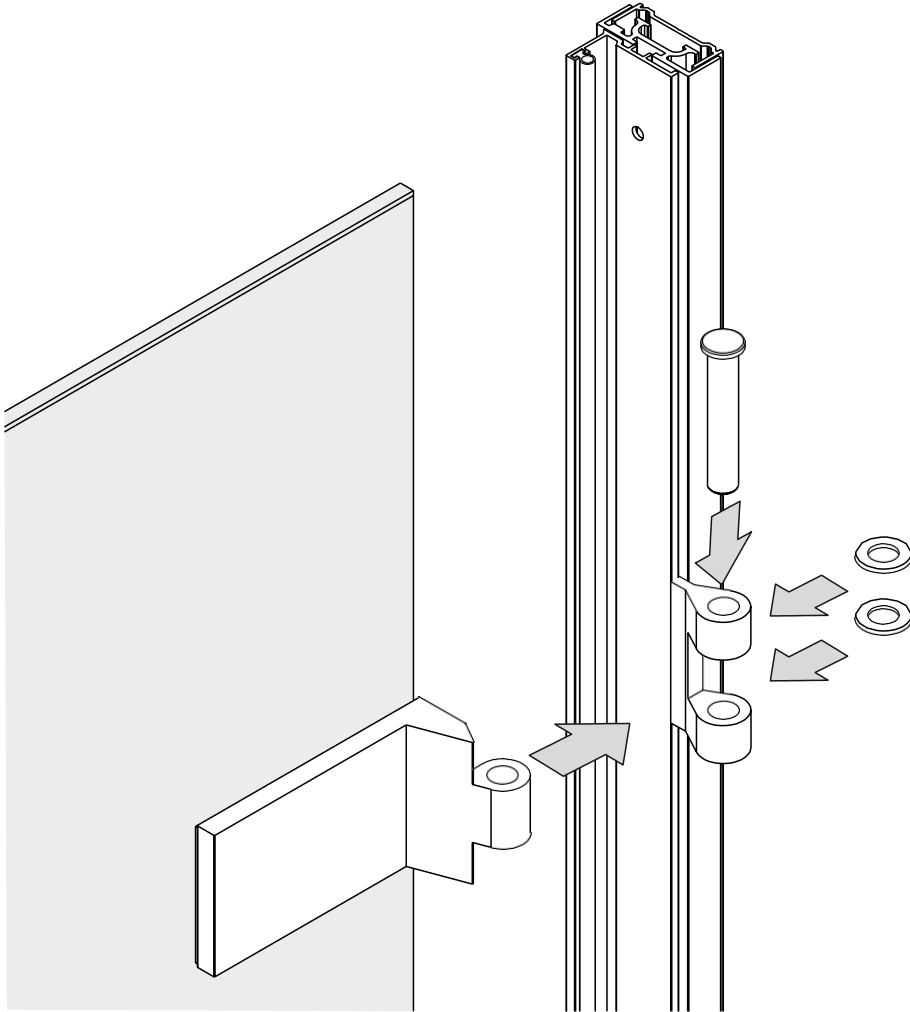
Attach the wall profiles to the wall. Run a bead of silicone down the back of the inner wall profile as shown to ensure a waterproof seal against the wall.

The wall screws should pass through both profiles. Use the self adhesive packers between the profiles if required to achieve adjustment and compensate for any lean in or lean out of the wall relative to the rim of the bath.



7

Once you are satisfied that the face of the wall profile is at 90 degrees to the rim of the bath, fully tighten the wall screws and replace the cover plate as shown.



8

Offer up the assembled glass leaf. Place the plastic washers in between the moving parts of the hinge as shown and drop the retaining pins into place from above.

Apply a light smear of grease to the hinge pins before inserting them.