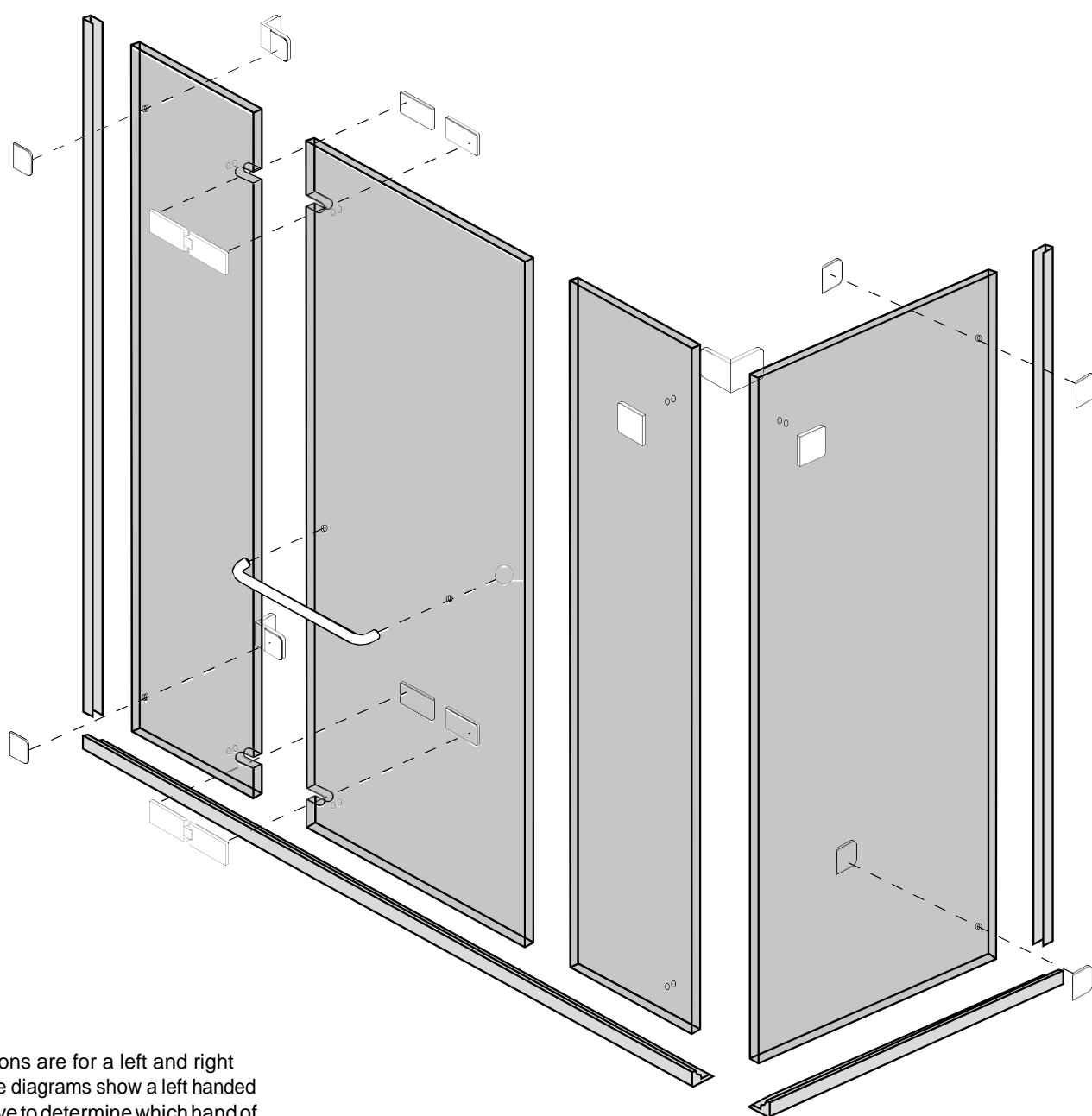


**MAJESTIC
INSTALLATION GUIDE**

—
**DEAUVILLE CORNER ENCLOSURE
24MM SURFACE CHANNELS TO
WALL AND UNDERFRAME BASE**

MAJESTIC









LONDON 1968



These Instructions are for a left and right handed unit. The diagrams show a left handed unit. You will have to determine which hand of unit you have before work commences.

Deaville Corner Enclosure

THIS BOX SHOULD CONTAIN THE FOLLOWING:

Vertical wall profile	x2	
Underframe sections + fixed underframe seal	x2 x1	
Black rubber strips	x2	
Glass door panel	x1	
Glass in-line panel	x2	
Glass return panel	x1	
Glass-to-glass hinges	x2	
Glass-to-wall brackets (inc. Rawl plugs, screws, screw covers)	x4	
2mm Allen key	x1	
4mm Allen key	x1	
Door mounting blocks	x2	
1936 door-to-glass seal	x2	
Under-door seal	x1	
Door handle set	x1	
10mm spacer	x1	
45° support bar (provided with larger panels only)	x1	

TOOLS REQUIRED:

2x suction glass lifters	Sealant gun
Spirit Level	High-quality silicone
Setsquare	Pencil
Power drill/driver	Metal Scriber
Hacksaw	Masking tape
Junior Hacksaw	Measuring tape
Fine tooth file	

IMPORTANT:

This unit must be fitted on a level surface, unless the glass has been cut to suit any slope in the floor.

Certain sections of the Installation of this shower enclosure requires two people.

Do not place the glass panels on hard surfaces! Cover any hard surfaces you are working on with a cushioned material, to help prevent the glass from shattering on contact.

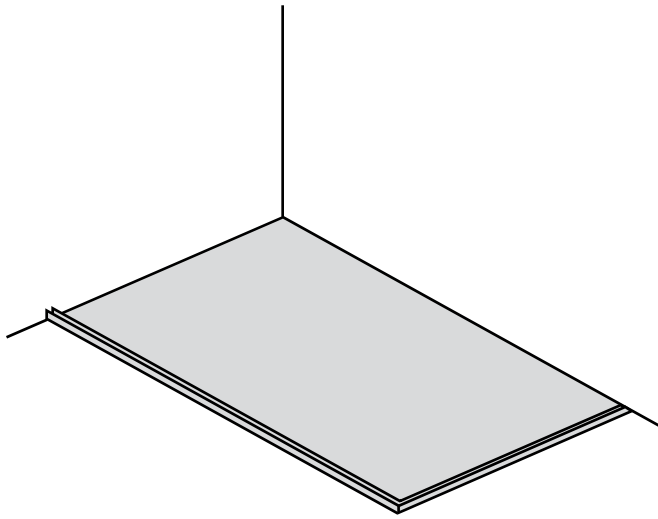
Before beginning, please familiarise yourself with the glass-handling guide attached to the glass panels. Where appropriate the top end of the glass panels will be indicated.

If anti-calcium glass has been purchased, the treated side of the glass will be indicated and should always face inwards towards the inside (wet side) of the shower enclosure.

Unwrap all parts carefully to avoid damaging the chrome fittings!

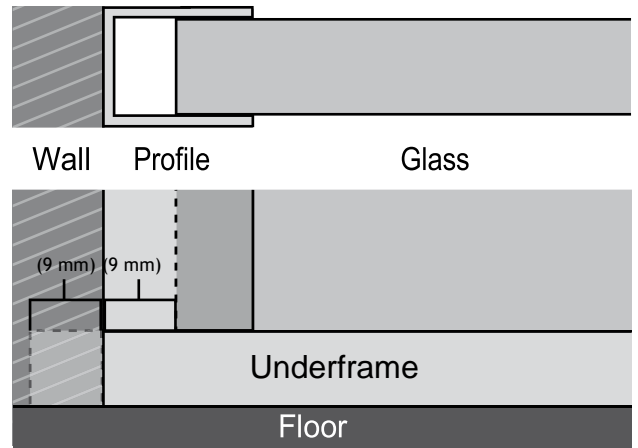
Please check the glass and all components thoroughly before installation; if any of the parts have been supplied damaged or incorrect, contact Majestic immediately. Any faults with the product found after installation cannot be rectified and Majestic will not be held responsible for re-installation of faulty or marked goods.

Whether fitting to a tiled floor or tray, ensure the area is degreased, dust-free and level.



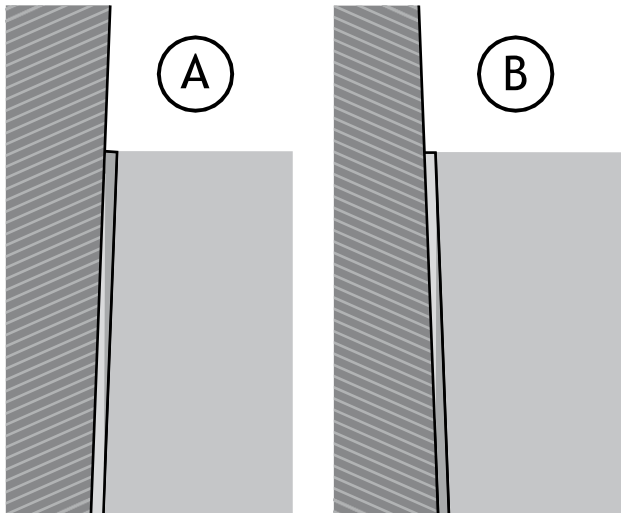
1 Assemble the underframe and gently tighten the grub screw at the joint underneath the profile.

Shows the position of glass in a wall profile after 9mm has been removed from the end of the underframe.



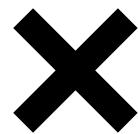
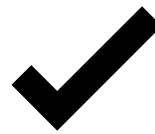
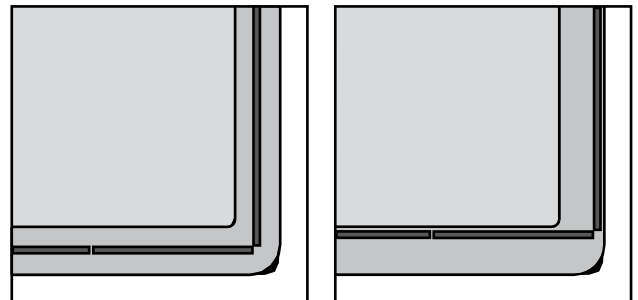
2 **!** The underframe sections are sent out at maximum length; it is highly likely you will have to cut off an amount from each side. A maximum of 18mm can be cut off the square end of each of the underframe sections. Do not cut off more than 18mm.

If you cut 9mm off the underframes, then the glass in-line and return panels will sit in the centre of their vertical wall profile adjustment where it meets the underframe.

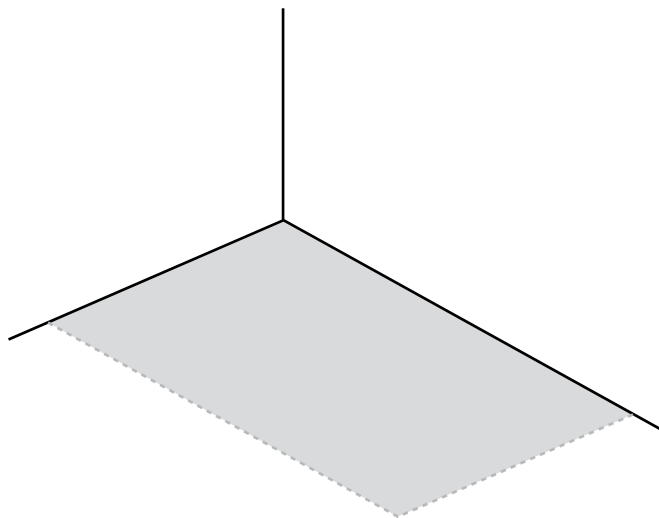


2. A: If wall leans in at the top: leave extra length on the underframe; cut off less than 9mm.

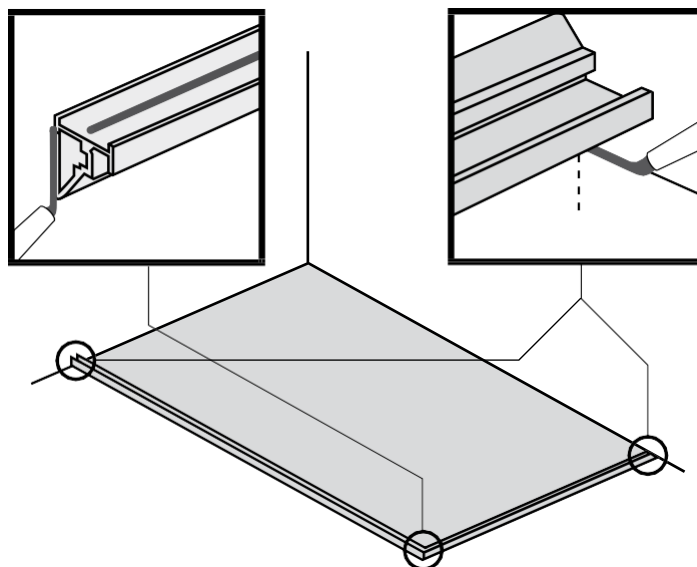
B: If wall leans out at the top: the underframe needs to be shorter; cut off more than 9mm.



2. Note: If the underframe is being installed on a tray, the position of the underframe in relation to the lip of the tray must also be considered. Ideally the outer edge of the underframe should sit 10mm back from the front edge of the tray.

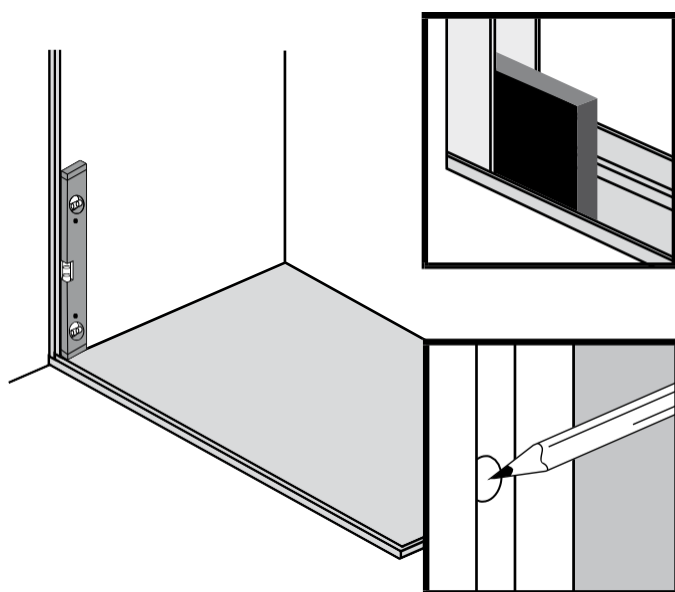


3 After cutting the required amount off, mark the position of the underframe; remove and disassemble the underframe.



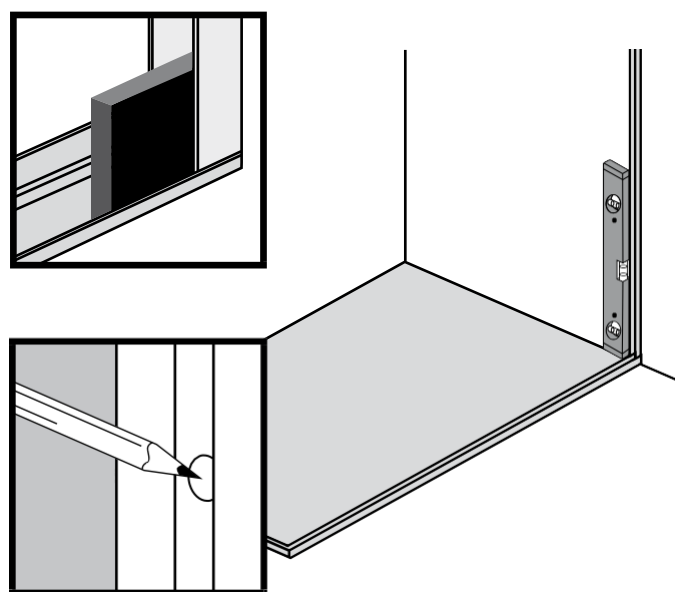
4 Apply silicone to the outer vertical where the two sections of underframe meet, as shown; reassemble the underframe and fully tighten the grubscrew at the joint. Run a substantial bead of silicone along the centre of the underside of the underframe, and apply a small amount of silicone into the corners where the underframe will sit against the wall.

Reposition the underframe where marked; tape into place.

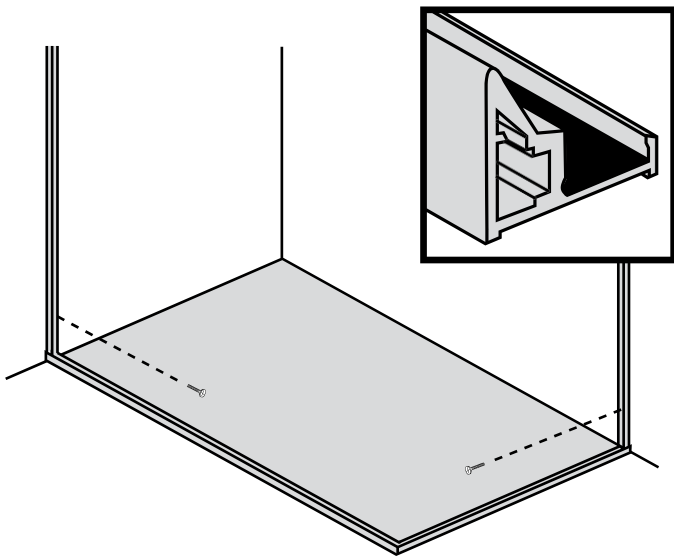


5 Insert the 10mm spacer into the underframe channel, and use it to align one of the vertical wall profiles.

Push the vertical wall profile down as far as it will go, and use a spirit level to ensure it is plumb vertical. Mark the screw holes; remove the vertical wall profile.



6 Repeat step 5 with the other vertical wall profile against the other wall.

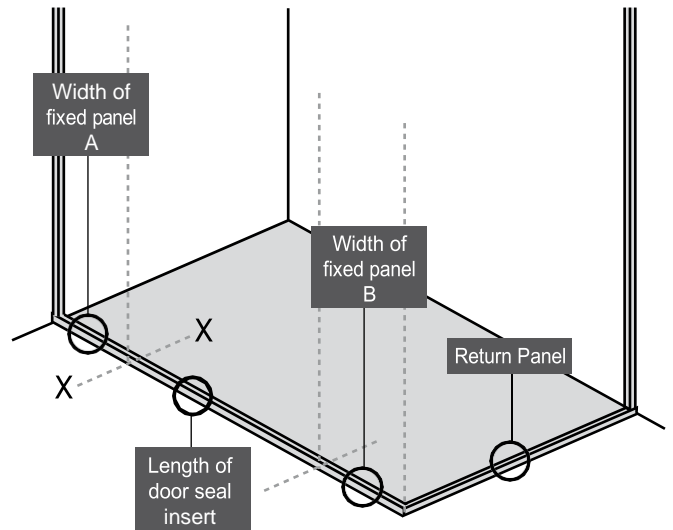


7

Drill 4.5mm holes where marked; insert Rawl plugs.

Reposition the vertical wall profiles, and insert the top and bottom screws to hold them in place. Insert a rubber strip into the underframe channels.

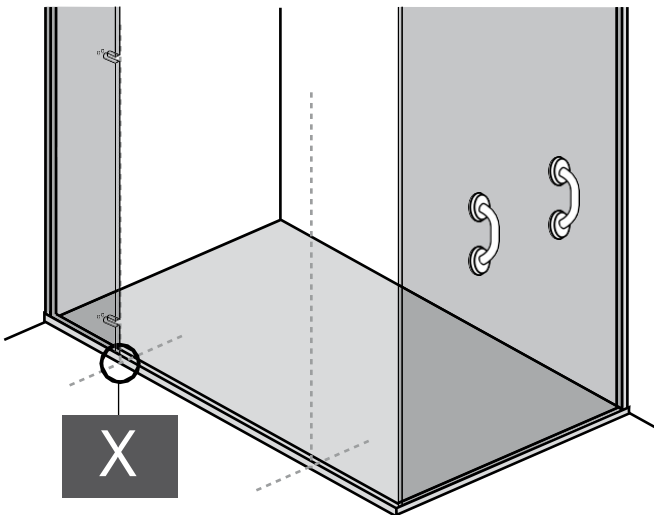
Use the 10mm spacer as a guide again to align the slots in the vertical and underframe channels.



8

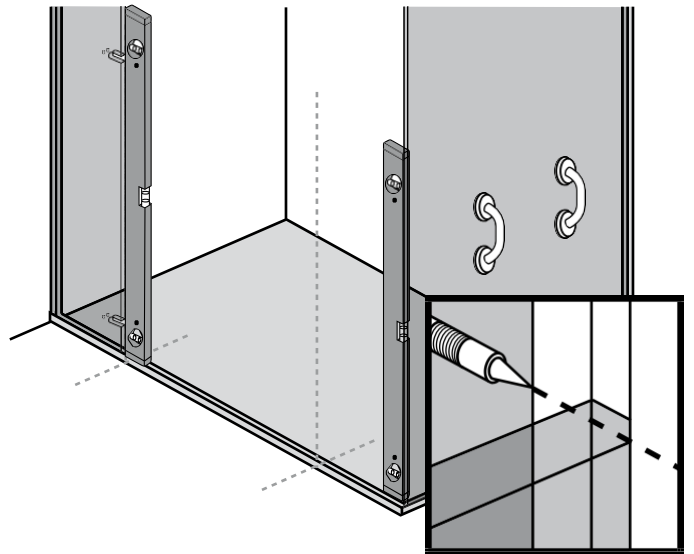
Measure the width of the second front panel 'B' and add this to the length of the underframe insert seal - this will give you a total measurement where the front in-line fixed panel A should sit 'X'

Mark this point on the underframe with masking tape.



9

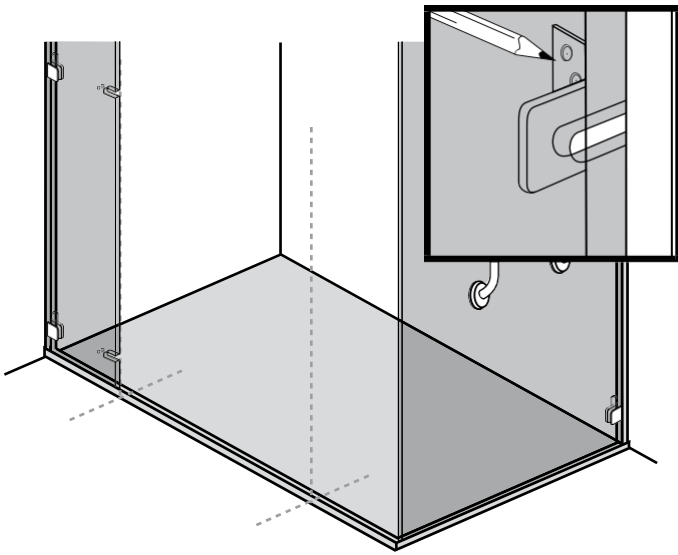
With black rubber strips in position and using the glass lifters, lift the glass in line panel into the front of the underframe; also lift the return panel into the short side of the underframe. Position the front in-line panel in the underframe after allowing enough space in the insert for the door insert seal and the second in-line panel. This point is 'x' on the underframe.



10

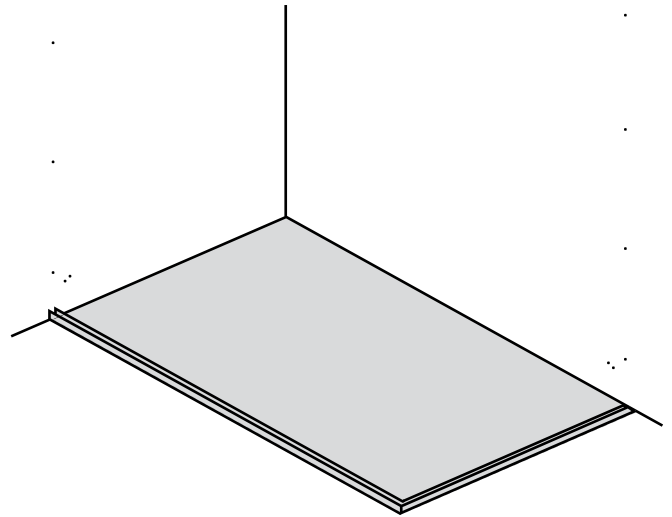
When the front in-line panel and the return panels are inserted, check they are plumb vertical and level with each other; pack them up with rubber strips if necessary, taking note of their positions. Use no more than three layers under each piece of glass and make sure the glass is fully supported where it sits in the underframe on the rubber.

Mark the vertical wall profiles at the height of the glass.



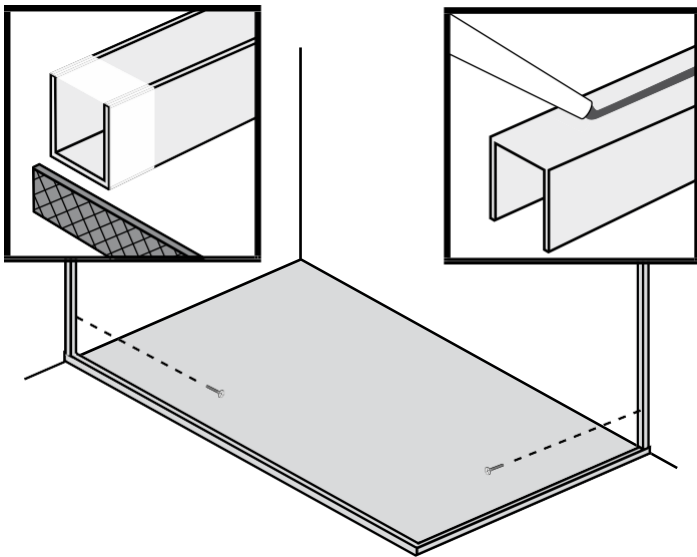
11

Dissassemble the glass-to-wall brackets, being careful not to damage the faceplates. With the clear plastic gaskets inserted between the brackets and the glass, and the wall screw plates facing inwards, align the brackets centrally to the slots in the glass panes; hold them in place and mark the screw holes on the wall.



12

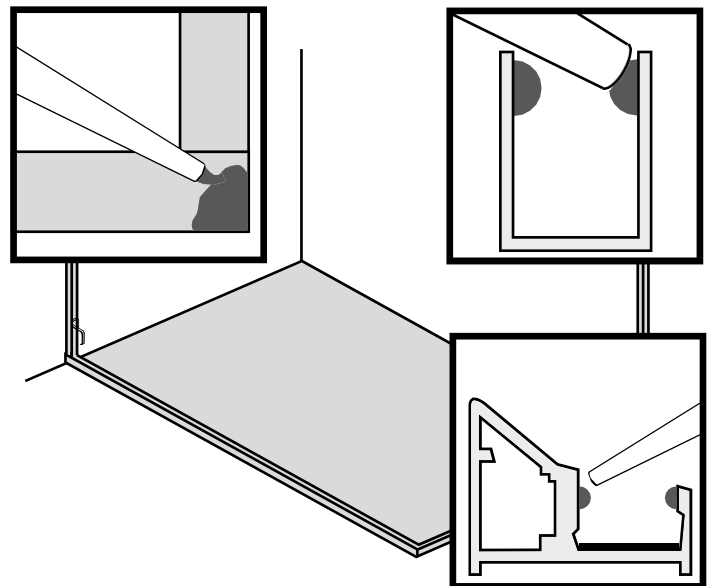
Put the brackets to one side and use the suction glass lifters to remove the glass return panels. Unscrew and remove the vertical wall profiles. Make note of where and how many rubber strips you have under the glass panels. Drill 7mm wall holes for the brackets, as marked; insert Rawl plugs.



13

Cut the vertical profiles to length, then file smooth.

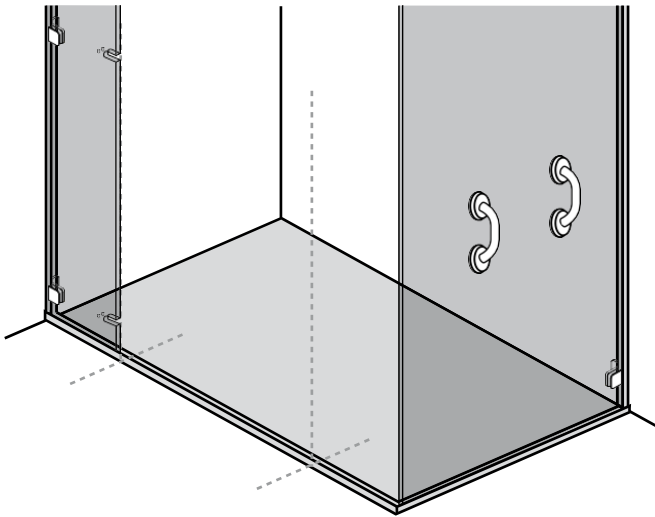
Run a bead of silicone along the wall side of the vertical wall profiles, and screw them tightly into place. Position the rubber strips in the return panel underframe channels.



14

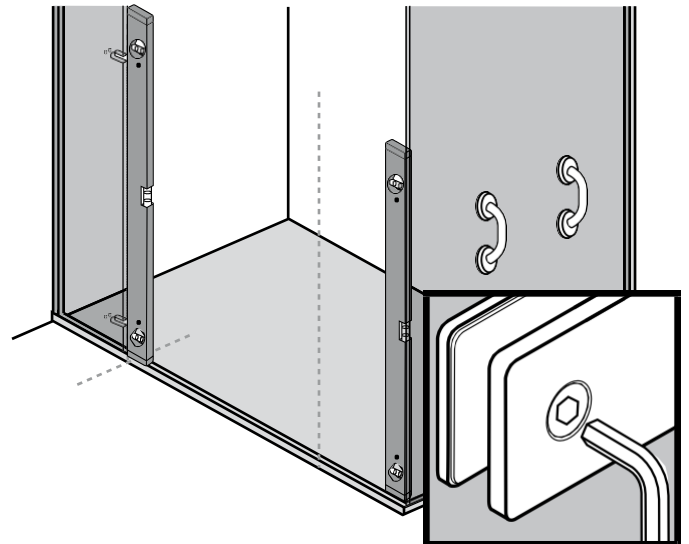
Loosely screw the 90° glass-to-wall brackets to the wall. Run beads of silicone along the inside of the vertical wall profiles and the underframe channel, as shown where the fixed panels sit.

Also apply some silicone into the internal corners so the glass pushes into it on installation.



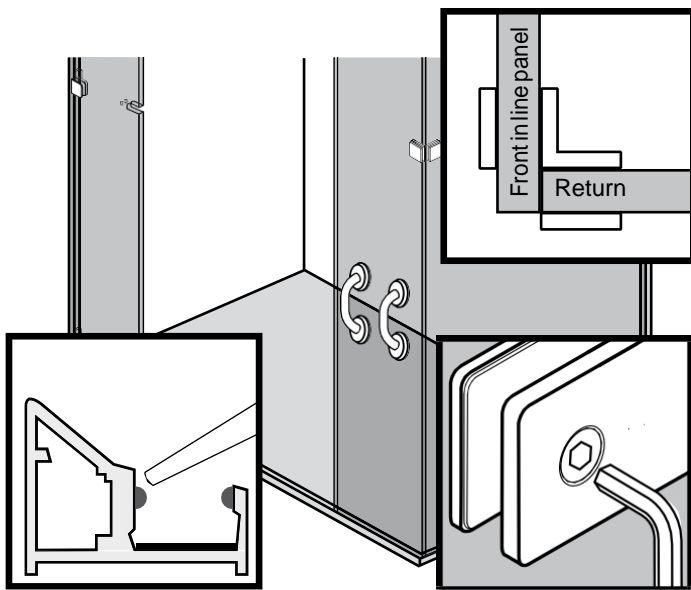
15 Using the suction glass lifters, lift the glass in-line panels into the vertical wall profiles and carefully lower into the underframe channel.

Pull the glasswork into position in the underframe.

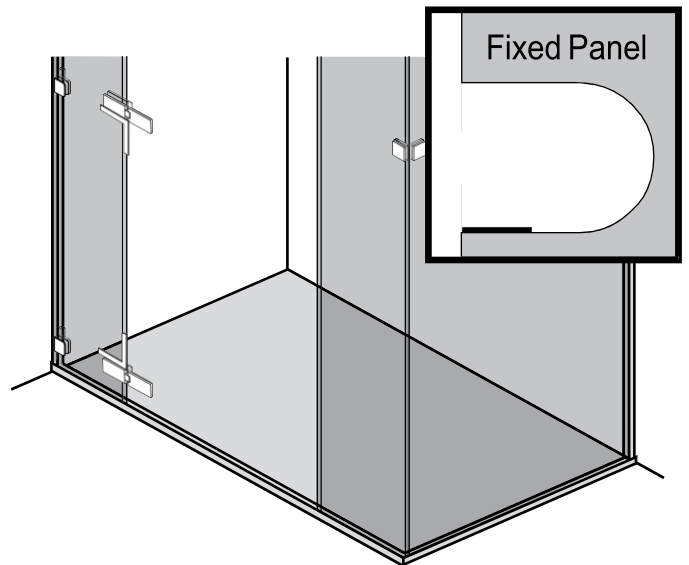


16 Loosely fix the faceplates to the glass-to-wall brackets through the slots in the glass; fully tighten the wall screws.

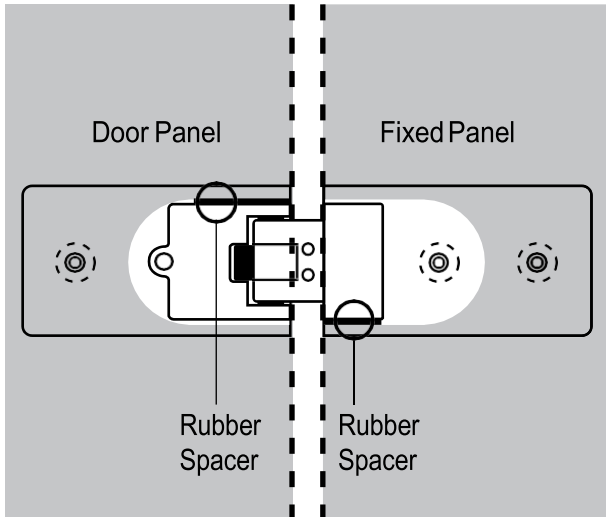
Ensure the glass return panels are plumb vertical and pulled forward, then fully tighten the glass-to-wall bracket faceplates, making sure the clear gaskets are inserted between the bracket and glass.



17 Attach the 90° glass to glass bracket to the return panel as shown. Place black rubber strips in the underframe so the second in-line panel sits at the same height as the return panel. Once you have the correct height, place silicone into the underframe and re-insert the glass panel and clamp the 90° wall bracket into place. Make sure the glass sits flush on its joint where the two pieces of glass meet. Once you are happy they are in-line clamp up the bracket.

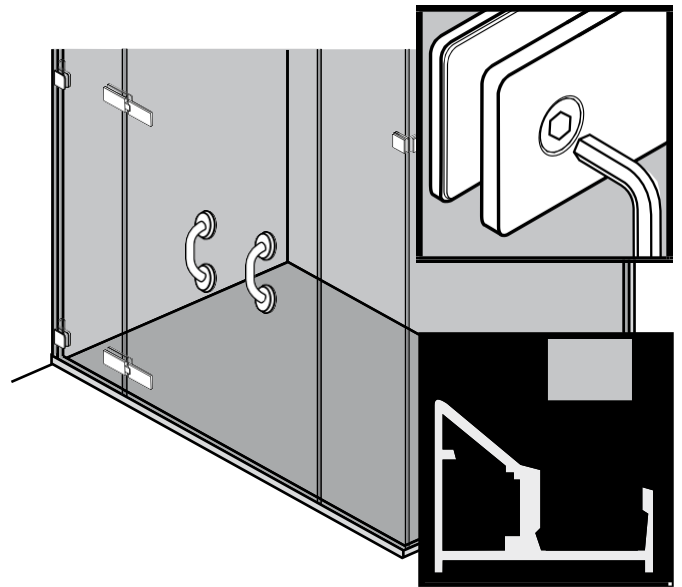


18 Insert a short length of black rubber strip into the hinge slot as shown. Disassemble the hinges, being careful not to damage the polished surfaces. Place the hinges and faceplates either side of the hinge slots in the glass return panel, with gaskets inserted and Allen bolts facing inwards; loosely screw the hinges and faceplates together. Use a set square to ensure the hinges are set at 90° to the vertical edge of the glass then tighten up the two 4mm Allen bolts, securing the back plates.



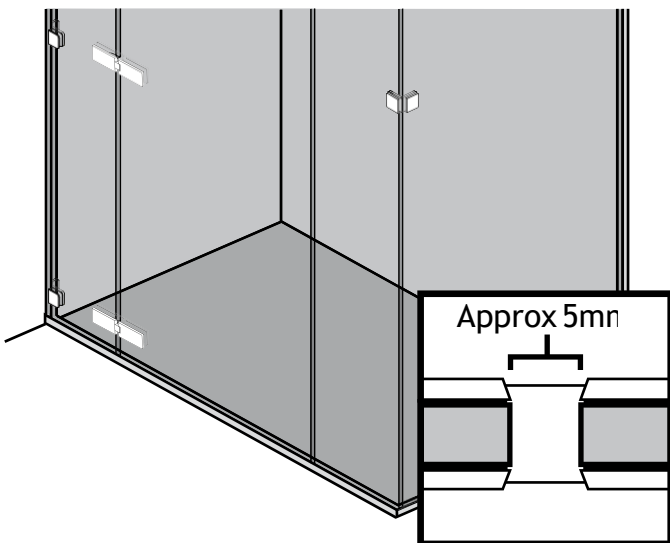
19

Insert a short length of black rubber strip into the door panel hinge slot as shown. The gaskets should be neat and flush, and the end of the glass door should not protrude beyond the hinges.



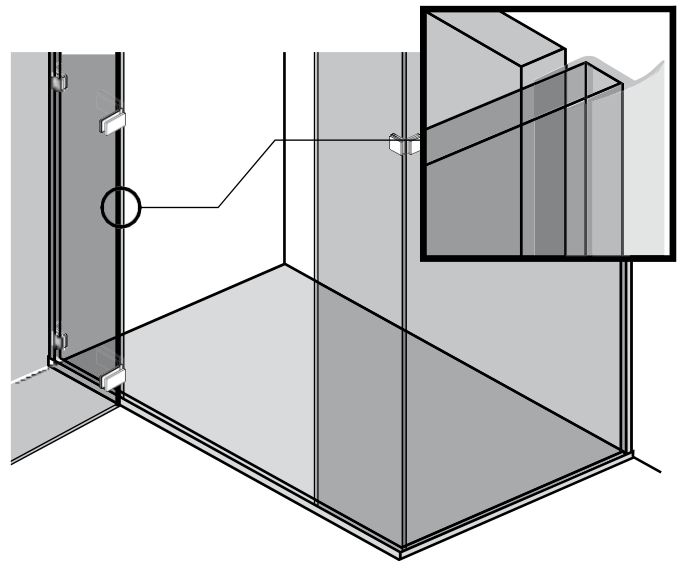
20

One person must always support the glass. Position the door mounting blocks in the underframe. Using the suction glass lifters, lift the glass door panel onto the mounting blocks. Be careful not to chip the edges of the glass against one another.



21

With gaskets inserted, loosely screw the hinges and faceplates together through the glass door panel slots. Adjust the door so it is level with the inside edge of the hinges, and there is a gap between the two glass panels. Tighten the Allen bolts.

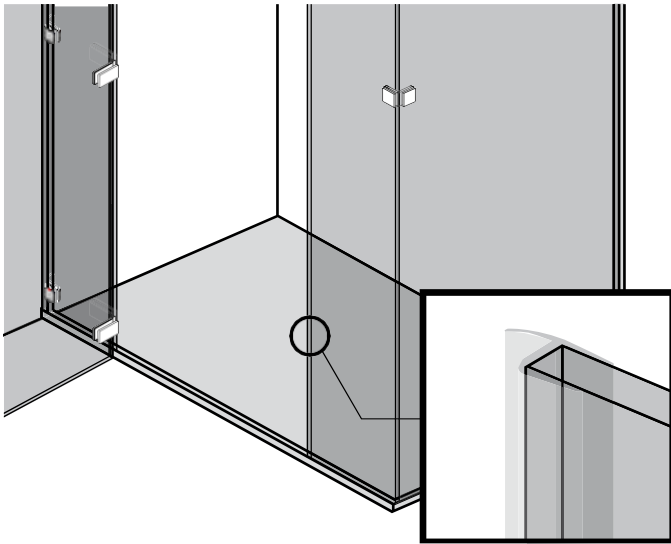


22

One of the 1936 door-to-glass seals (1) should be cut into three pieces to fit vertically above, between and below the hinges on the end of the door.

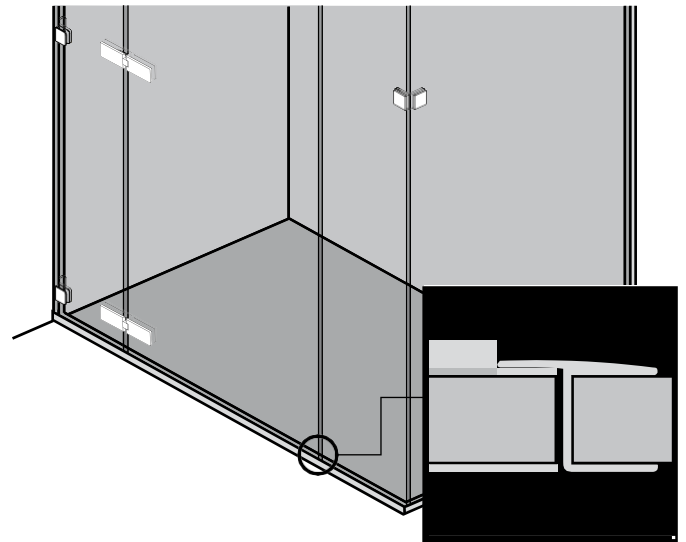
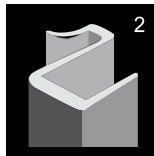
Open the door outwards and slide the sections into place on the door.





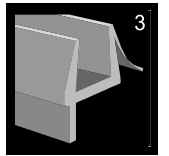
23

Mark the height of the glass in-line panel on the other 1936 seal (2); cut the seal to length and slide it onto the end of the glass in-line panel. If necessary, adjust the door on its hinges so that it closes correctly onto the return panel seal. Be careful not to push the glass too far into the hinge as this may chip it.

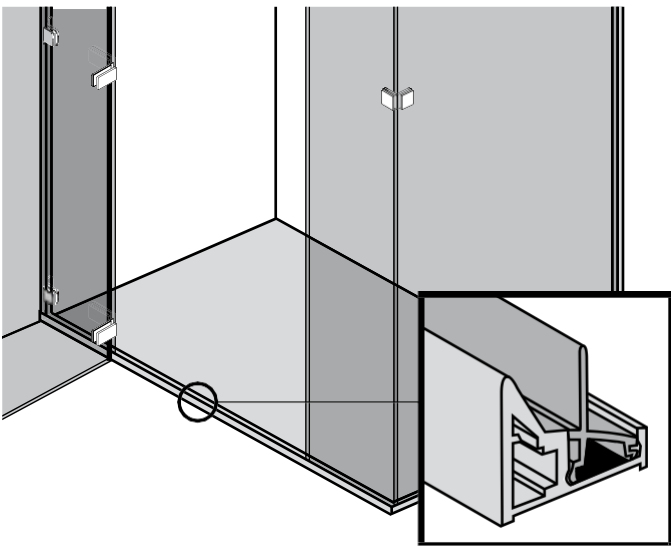


24

Mark the width of the glass door panel on the under-door seal (3); cut the seal to length and slide it onto the bottom of the door.

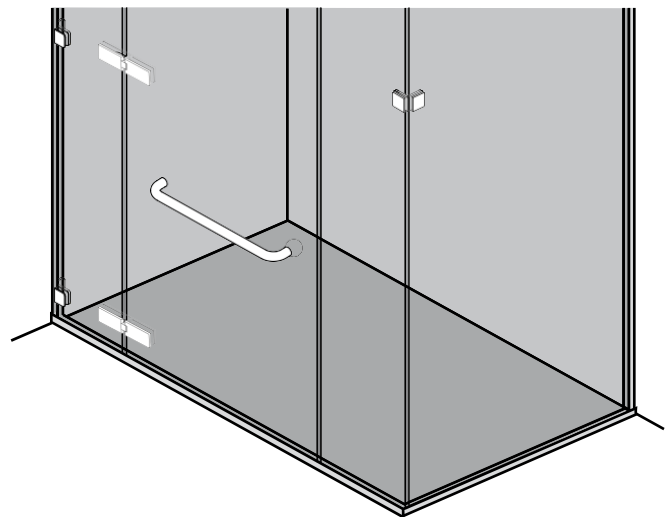


Trim the 45° blade off so it misses the vertical 1936 seal.



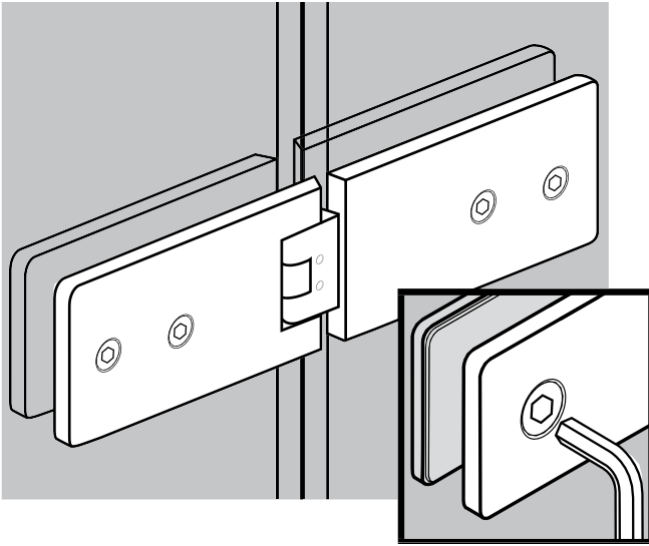
25

Remove the door mounting blocks, and insert the plastic underframe seal. Tap into position.



26

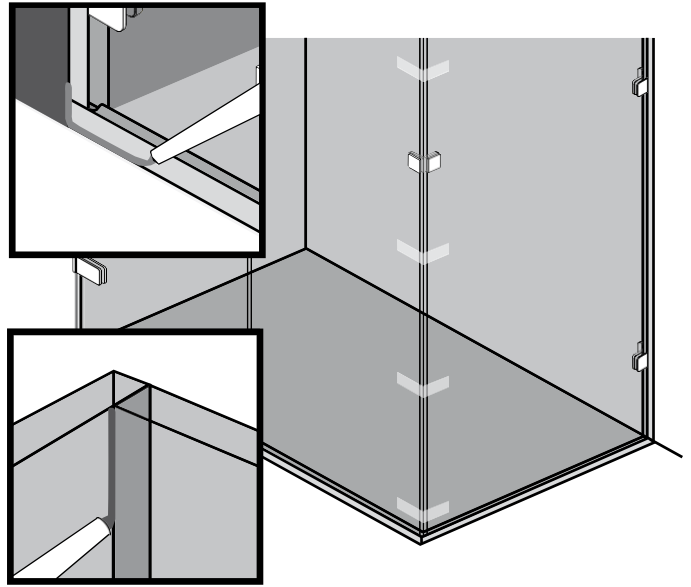
Disassemble the handle, being careful not to damage the chrome surfaces; fit the handle to the door.



27

Make sure all screws and fittings are tight (especially the 4mm Allen bolts on the hinges). Apply a dab of silicone to the screw covers and fit them over the exposed screws.

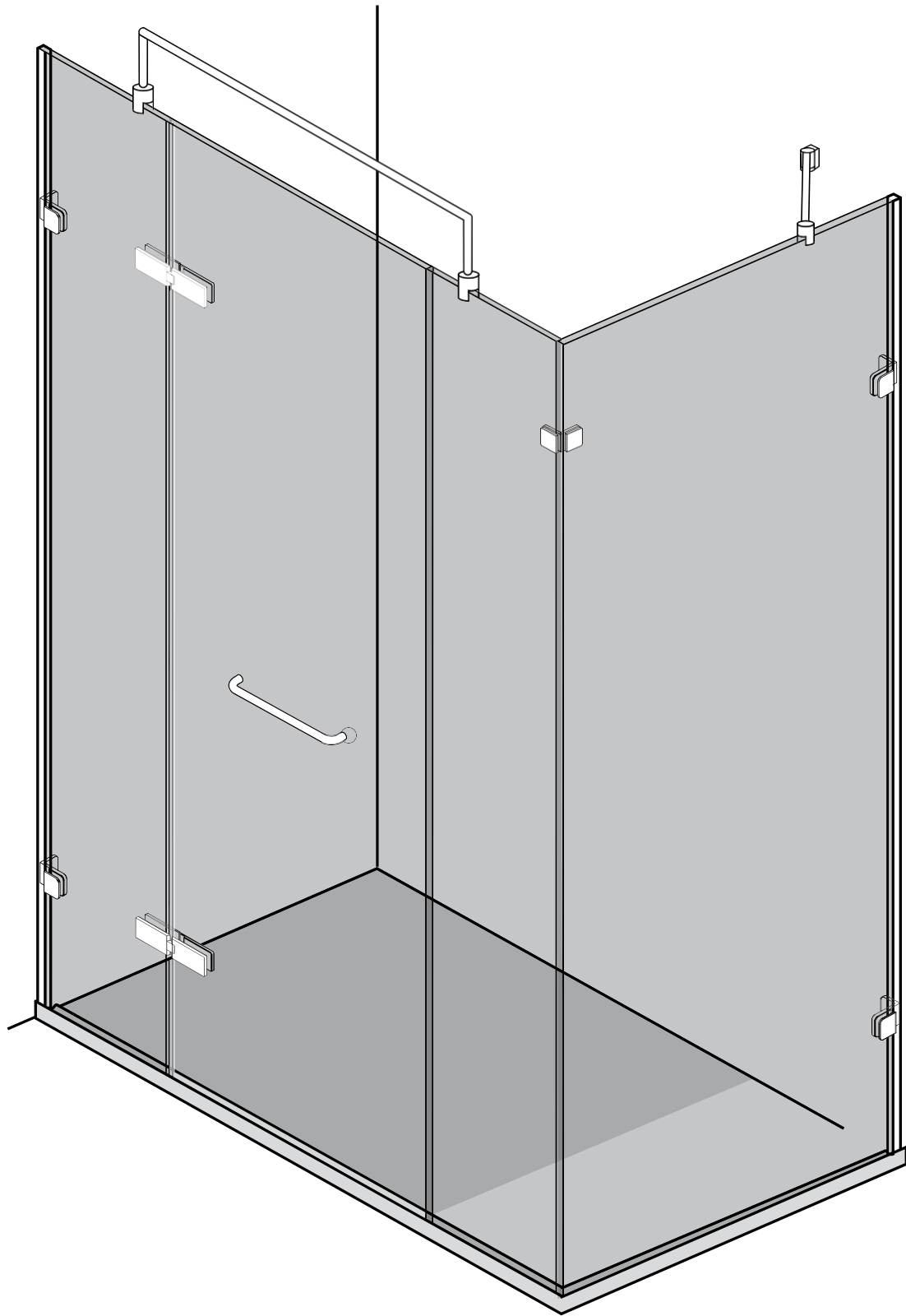
Caps are not provided for the polished hex Allen bolts on the hinges. Tighten the Allen bolts to 12 N·m.



28

Tape the glass return and in-line panels together as shown, and run a bead of silicone down the length of the joint on the inside of the enclosure; leave silicone to cure fully for 24 hours before un-taping.





MAJESTIC

The Majestic Shower Company Limited
17 Flitch Industrial Estate, Chelmsford Road,
Dunmow, CM6 1XJ

Telephone +44 (0) 8448 001 500
Facsimile +44 (0) 1279 635 074
info@majesticshowers.com www.majesticshowers.com