

MAJESTIC  
INSTALLATION GUIDE

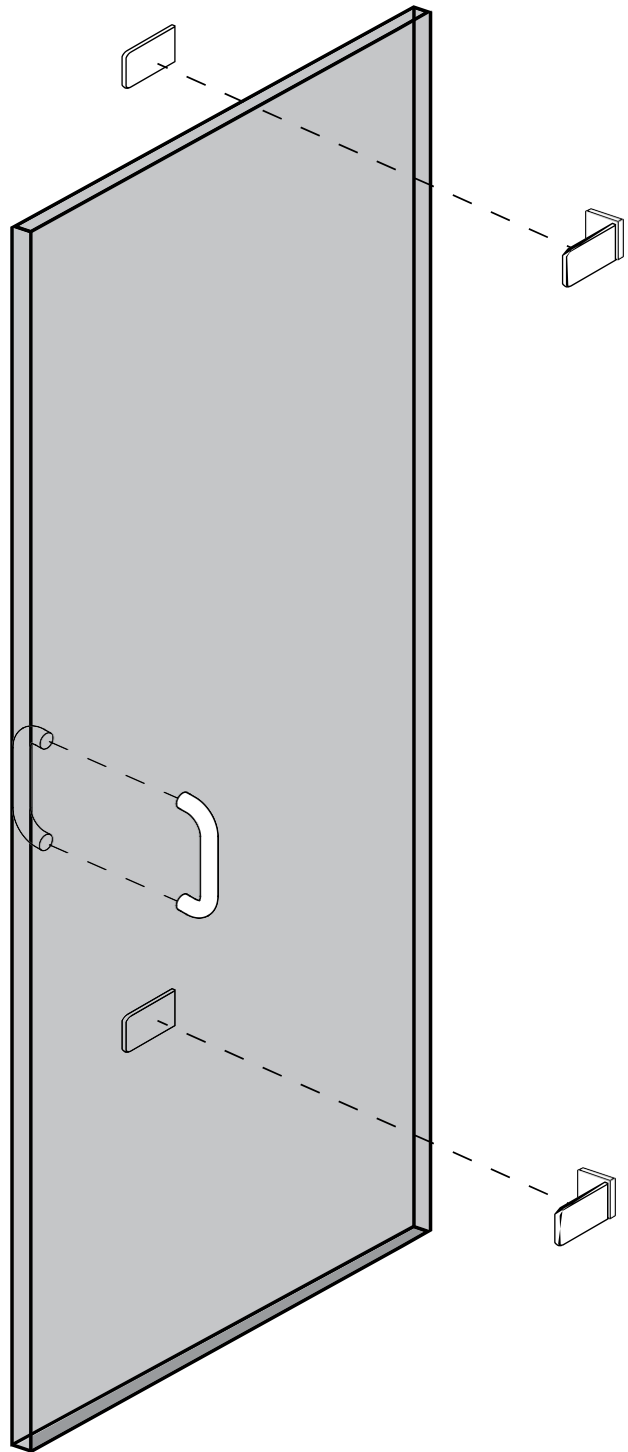
-  
MAINE ALCOVE  
FOR UNITS WITHOUT AN UNDERFRAME

01279 443644  
INFO@MAJESTICSHOWERS.COM

-  
MAJESTICSHOWERS.COM

MAJESTIC





LONDON 1968



These Instructions are for a left and right handed unit. The diagrams show a left handed unit. You will have to determine which hand of unit you have before work commences.

## Maine Alcove

### YOUR KIT SHOULD CONTAIN THE FOLLOWING:

Glass door panel	x1	
Glass-to-wall hinge (inc. Rawl plugs, screws, screw covers)	x2	
4mm Allen key	x1	
Door mounting blocks	x2	
1929 door-to-wall seal	x2	
1915 Under-door seal	x1	
Door handel set	x1	

### TOOLS REQUIRED:

2x suction glass lifters	Junior Hacksaw
Spirit Level	Fine tooth file
Setsquare	Pencil
Power drill/driver	Masking tape
Hacksaw	Measuring tape

### IMPORTANT:

Please check the glass and all components thoroughly before installation; if any of the parts have been supplied incorrectly or are damaged, contact Majestic immediately. Any faults with the product found after installation cannot be rectified and Majestic will not be held responsible for re-installation of faulty or marked goods.

When hanging the glass door from a wall, it is essential that the hinge wall screws are secured into a suitable sub-wall (i.e. timber stud work or solid masonry) as the door weighs in excess of 36kg. Most of the load is taken by the top hinge.

Unwrap all parts carefully to avoid damaging the chrome fittings!

This unit must be fitted on a level surface, unless the glass has been cut to suit any slope in the floor.

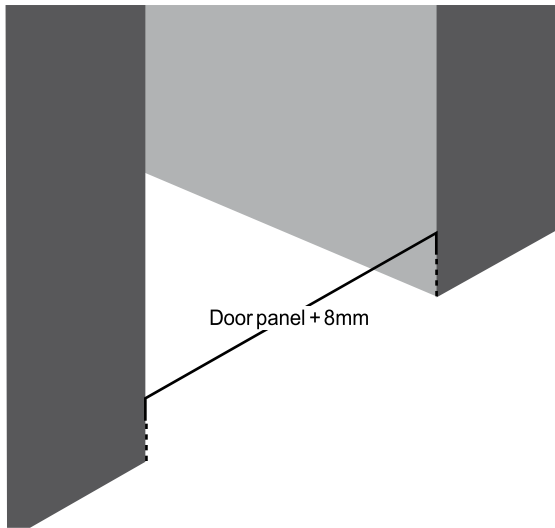
Whether fitting to a tiled floor or tray, ensure the area is degreased, dust free and level.

Do not place the glass panels on hard surfaces! Cover any hard surfaces you are working on with a cushioned material, to help prevent the glass from shattering on contact.

Before commencing the installation, please familiarise yourself with the glass-handling guide attached to the glass panels. Where appropriate, the top end of the glass panels will be indicated.

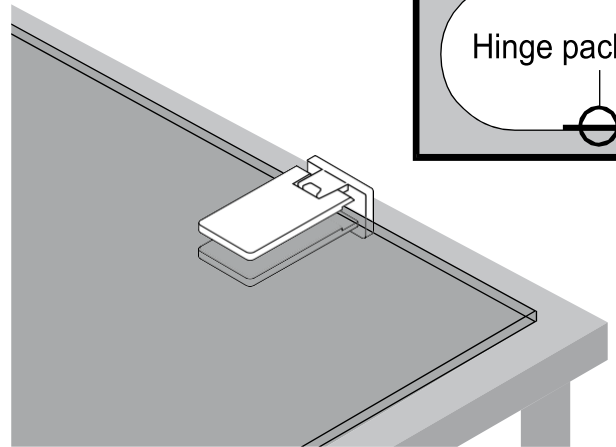
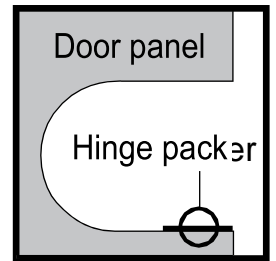
If you have purchased anti-calcium glass, the treated side of the glass will be indicated and should always face towards the inside (wet side) of the shower enclosure.

Certain sections of the installation of this shower enclosure require two people.



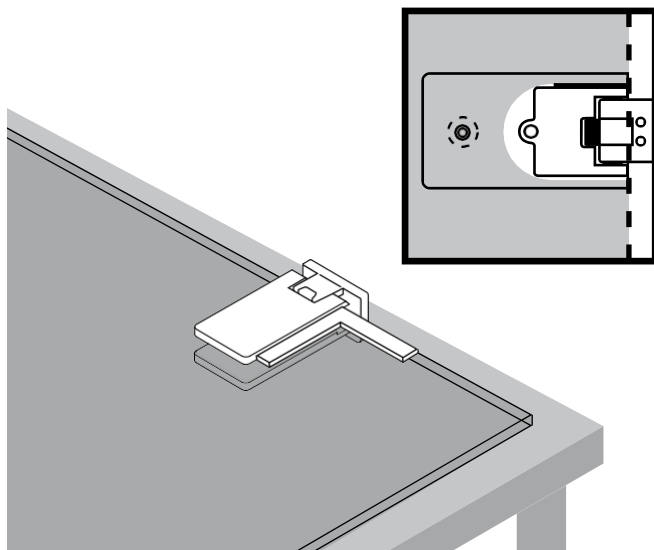
1

Measure the glass door panel in mm and add 8mm (Xmm); check that this is equal to the width of the aperture that the door is to be fitted into.



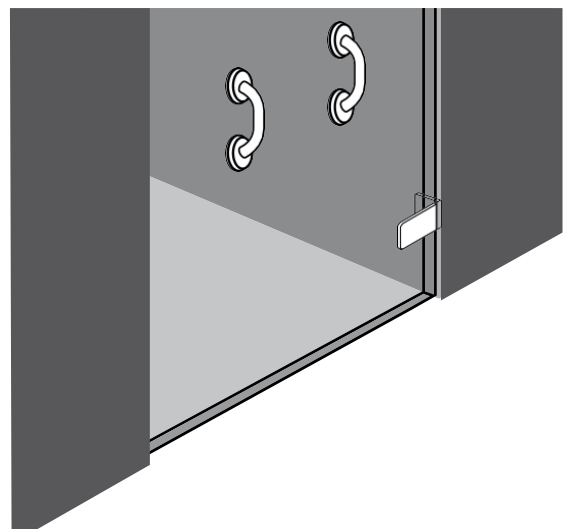
2

Insert a black rubber hinge packer into the hinge cut outs, as shown. Disassemble the hinges, being careful not to damage the polished surfaces. Place the hinges and faceplates either side of the hinge slots in the door, with gaskets inserted and Allen bolts facing inwards; loosely screw the hinges and faceplates together.



3

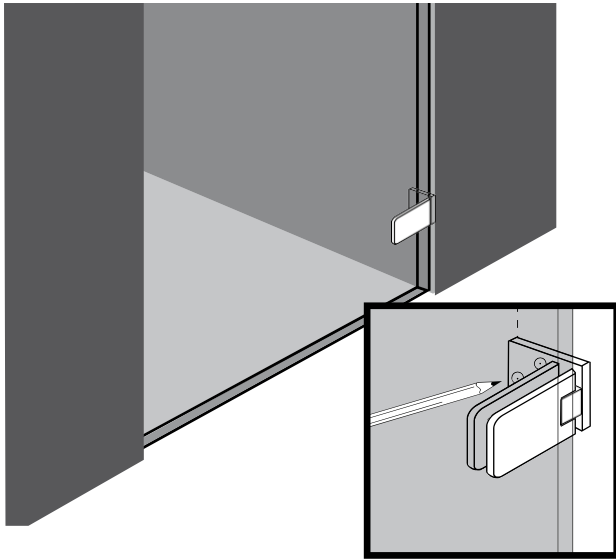
Position the hinges at the top of their slots and use a set square to the edge of the glass. The gaskets should be neat and flush and the end of the glass should not protrude beyond the hinges. Tighten the Allen screws.



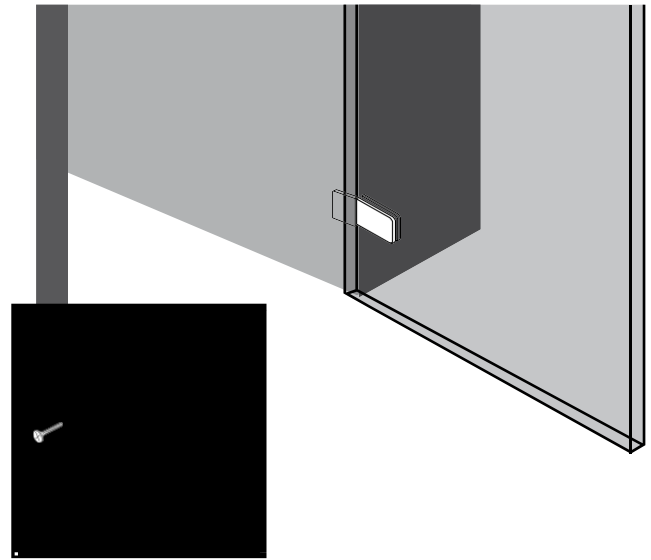
4

**!** Steps 4-6 require one person to support the glass door panel at all times, while another person must be inside the enclosure with hinge faceplates gaskets and screws.

Position the door mounting blocks on the tray or floor. Using the suction glass lifters, lift the glass door panel onto the mounting blocks. Be careful not to chip the edges of the glass against the walls.

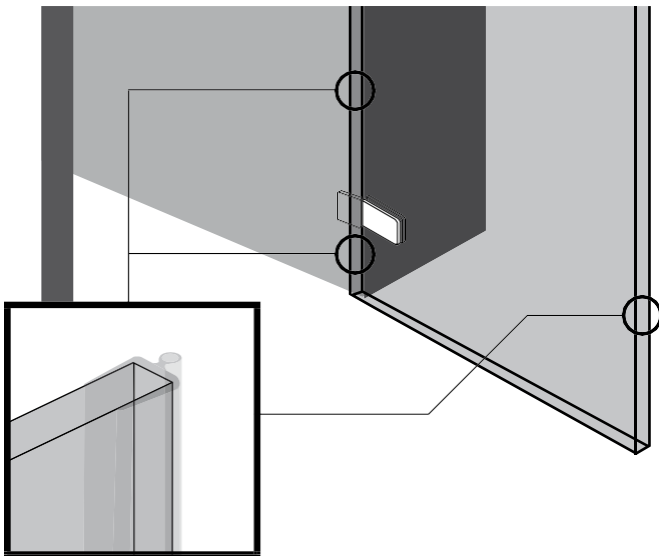


5 Mark the screw holes for the hinges; remove the door.

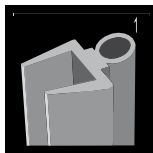


6 Drill 7mm holes where marked on the wall; insert Rawl plugs. Using the suction glass lifters, place the glass door complete with hinges onto the mounting blocks.

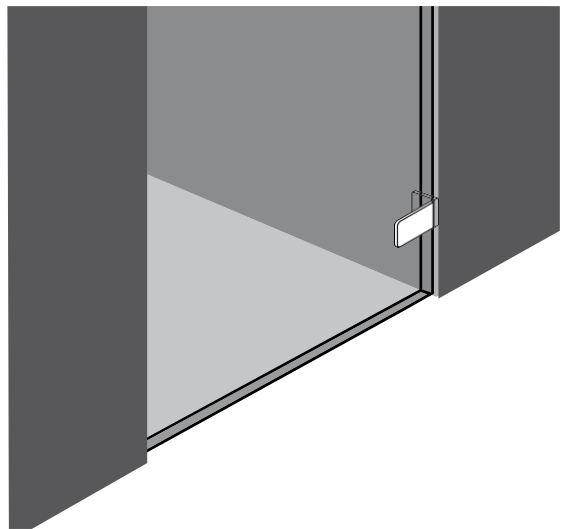
Using only the four outer screw holes, tightly screw the hinges to the wall. To prevent damage to the hinge plates, open the door outwards to gain access to the inner screw holes; insert screws and tighten fully.



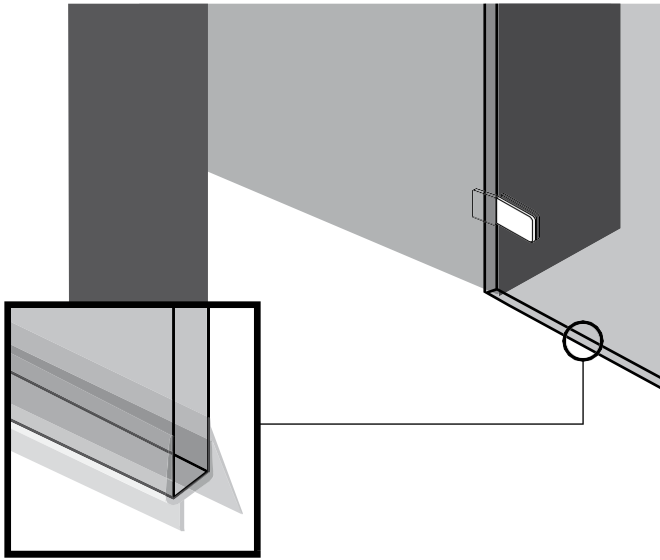
7 One 1929 door-to-wall seal (1) should be cut into three pieces to fit vertically above, between and below the hinges on the end of the door. With the door still open outwards, slide the sections into place on the door.



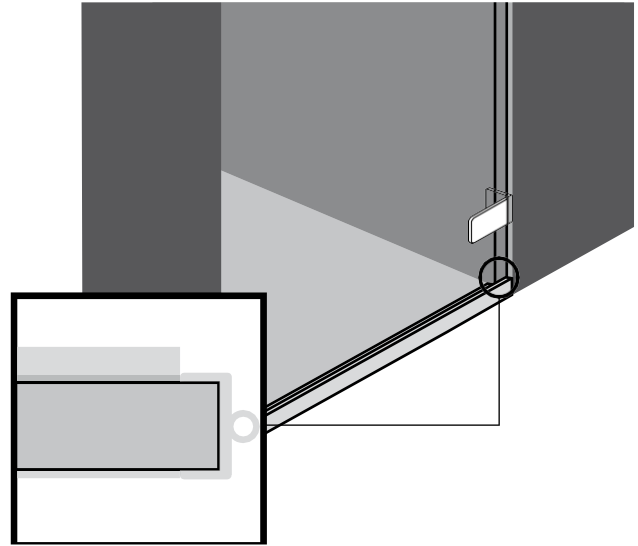
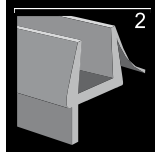
The other 1929 door-to-wall seal should be cut to fit on the exposed vertical edge of the glass door.



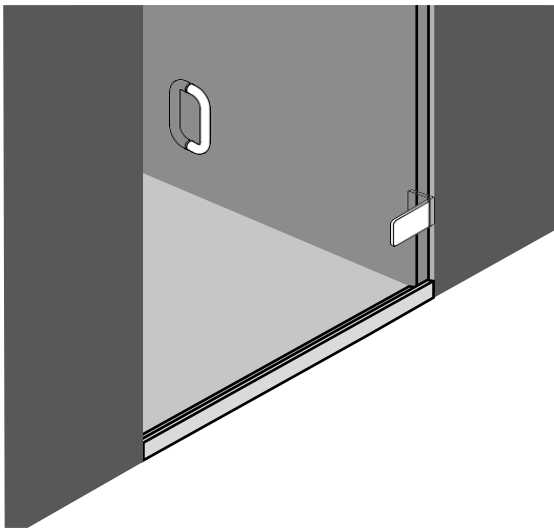
8 Close the door carefully and check the seal closes onto the wall correctly. If necessary, the door can be adjusted on its hinges; make sure the glass does not protrude past the hinge plates into the hinge.



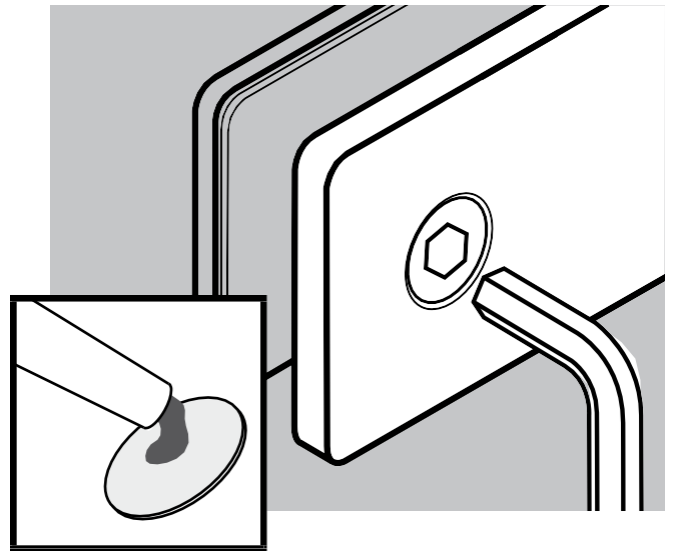
**9** Mark the width of the glass door panel on the 1915 under-door seal (2); cut the seal to length, and slide it onto the bottom of the door.



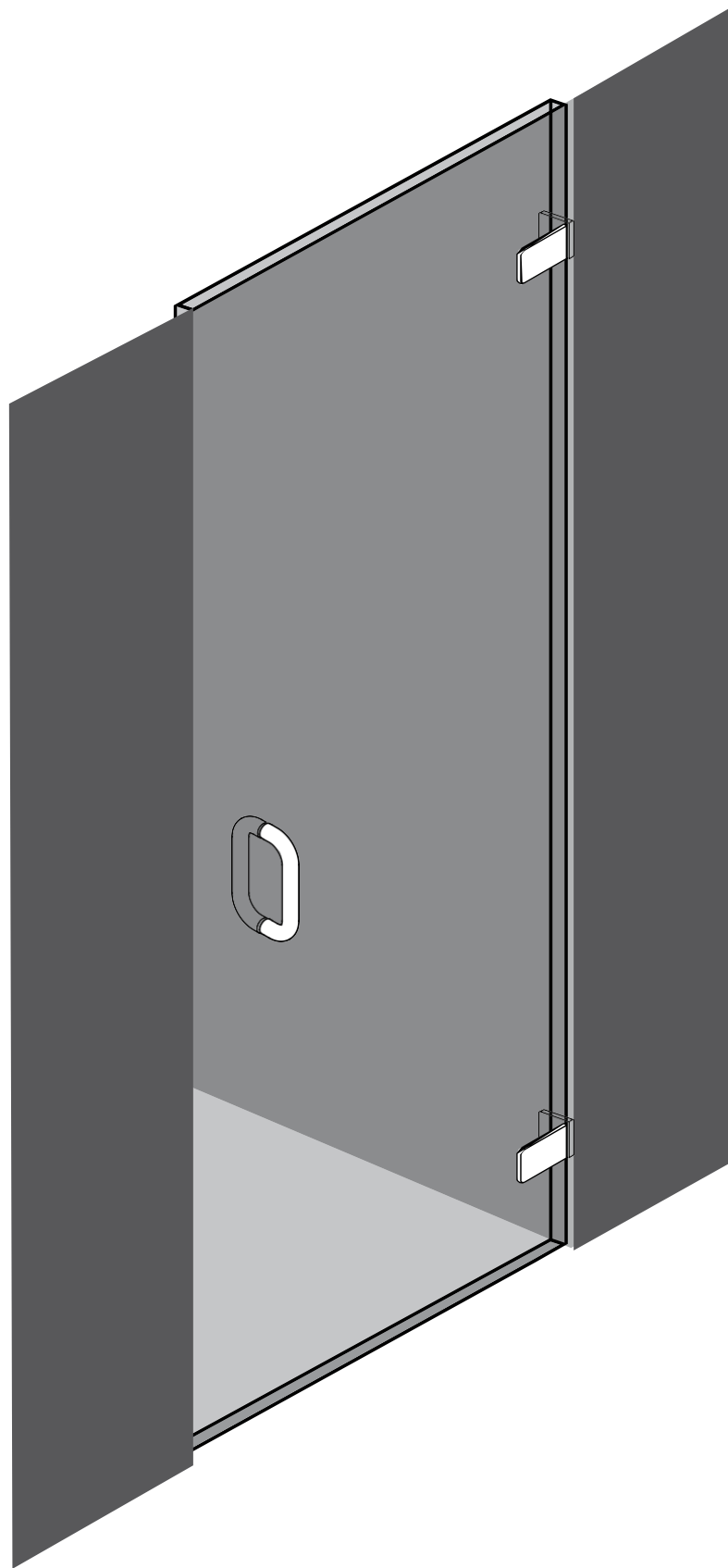
**10** Cut the 1915 under-door seal so it fits snugly between the two 1929 seals.



**11** Disassemble the handle, being careful not to damage the chrome surfaces; fit the handle to the door.



**12** Make sure the 4mm Allen bolts on the hinges are tightened to 12 N·m. Caps are not provided for the polished hex Allen bolts on the hinges.



**MAJESTIC**

The Majestic Shower Company Limited  
17 Fritch Industrial Estate, Chelmsford Road,  
Dunmow, CM6 1XJ

Telephone +44 (0) 8448 001 500  
Facsimile +44 (0) 1279 635 074  
[info@majesticshowers.com](mailto:info@majesticshowers.com) [www.majesticshowers.com](http://www.majesticshowers.com)