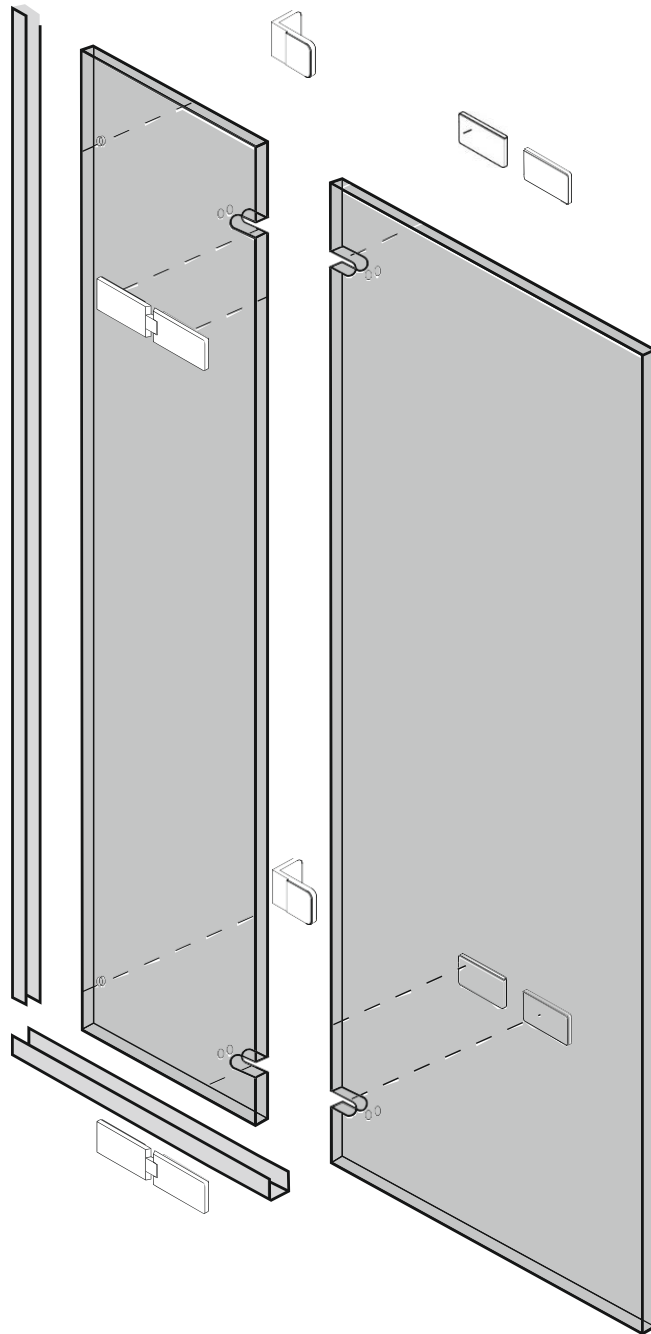


MAJESTIC
INSTALLATION GUIDE
—
VALLETTA BATH SCREEN

MAJESTIC

LONDON 1968



These Instructions are for a left and right handed unit. The diagrams show a left handed unit. You will have to determine which hand of unit you have before work commences.

Valetta Bath Screen

THIS BOX SHOULD CONTAIN THE FOLLOWING:

Vertical wall profile	x1	
Horizontal profile	x1	
Black rubber strip	x1	
Glass door panel	x1	
Glass fixed panel	x1	
Glass-to-glass hinges	x2	
Glass-to-wall brackets (inc. Rawl plugs, screws, screw covers)	x2	
2mm Allen key	x1	
4mm Allen key	x1	
Door mounting blocks	x2	
Seal 0 under-door seal	x1	
Seal 2 door-to-glass seal	x1	
10mm spacer	x1	

TOOLS REQUIRED:

2x suction glass lifters	Sealant gun
Spirit Level	High-quality silicone
Setsquare	Pencil
Power drill/driver	Metal Scriber
Hacksaw	Masking tape
Junior Hacksaw	Measuring tape
Fine tooth file	

IMPORTANT:

Installation of this bath screen is a two-person job.

Do not place the glass panels on hard surfaces! Cover any hard surfaces you are working on with a cushioned material, to help prevent the glass from shattering on contact.

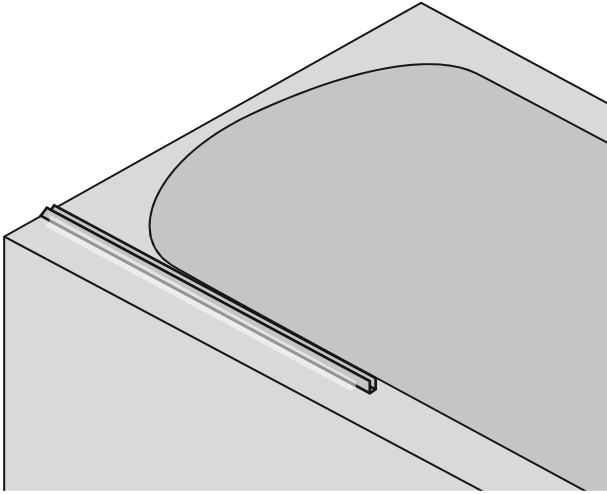
Before beginning, please familiarise yourself with the glass-handling guide attached to the glass panels. Where appropriate the top end of the glass panels will be indicated.

If anti-calcium glass has been purchased, the treated side of the glass will be indicated and should always face inwards towards the bath.

Unwrap all parts carefully to avoid damaging the chrome fittings!

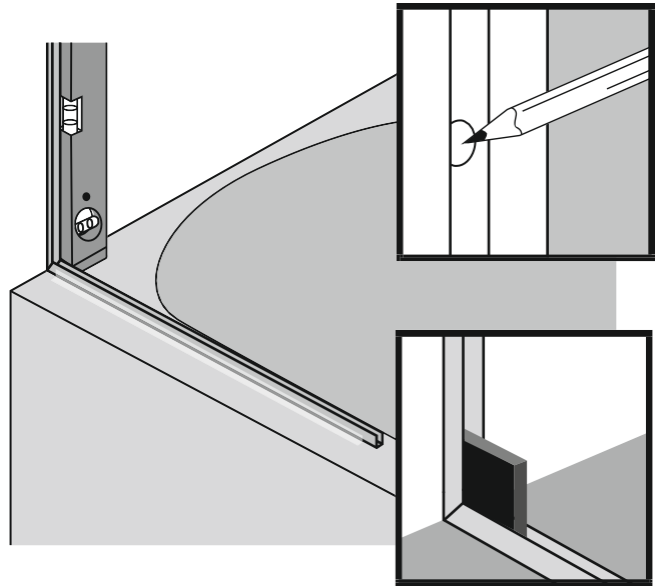
Please check the glass and all components thoroughly before installation; if any of the parts have been supplied damaged or incorrect, contact Majestic immediately. Any faults with the product found after installation cannot be rectified and Majestic will not be held responsible for re-installation of faulty or marked goods.

When fitting, ensure the area is degreased, dust-free and level.



1

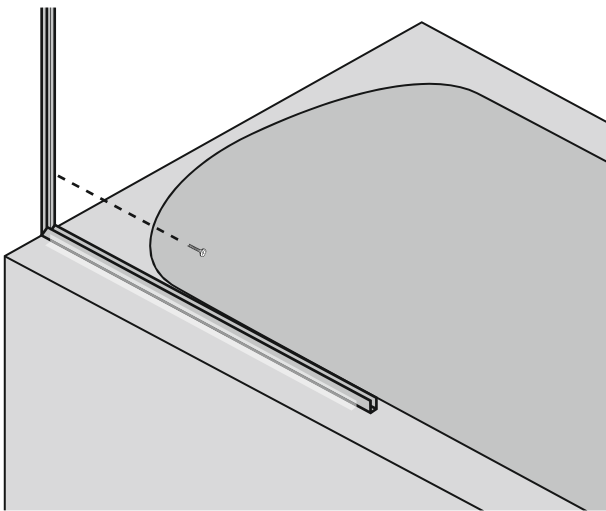
Place the horizontal profile as near to the inside of the bath rim as possible, ensuring the mitre is pushed up against the wall; tape the profile into place.



2

Insert the 10mm spacer into the horizontal profile, and use it to align the vertical wall profile. Push the mitred ends together, and use a spirit level to ensure the wall profile is plumb vertical.

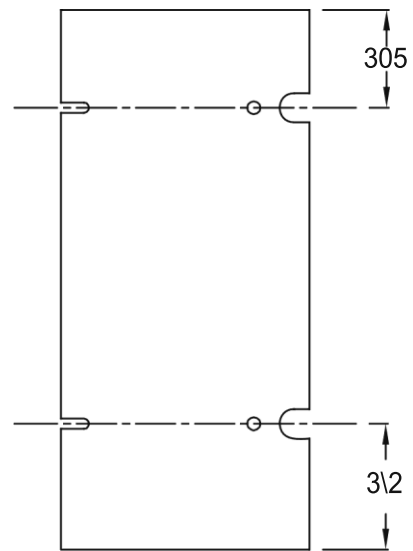
Mark the screw holes; remove the vertical wall profile. Drill 4.5mm holes; insert Rawl plugs.



3

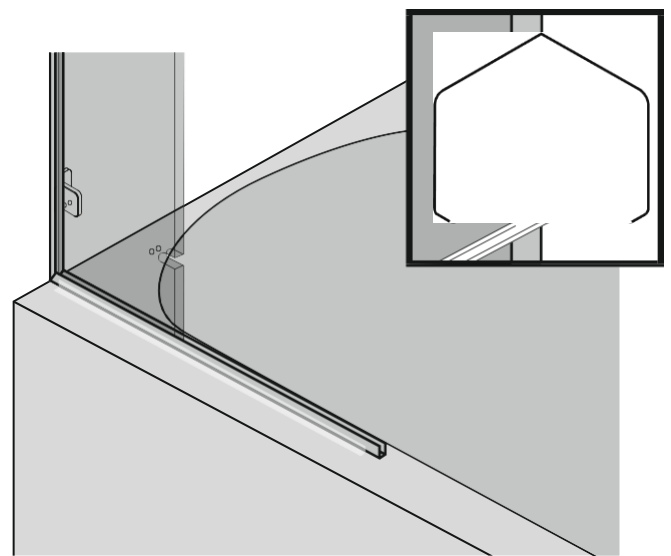
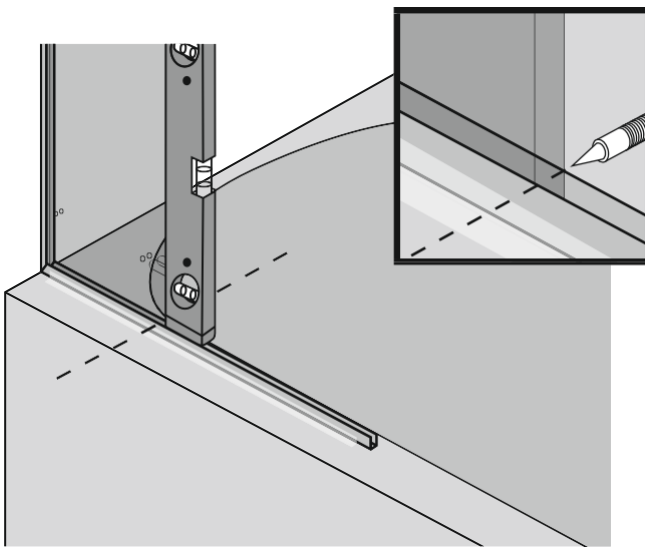
Reposition the vertical wall profile and insert the top and bottom screws to hold it in place; remove the 10mm spacer.

Insert a rubber strip into the horizontal profile. Using the suction glass lifters, lift the glass fixed panel into the profiles.



4

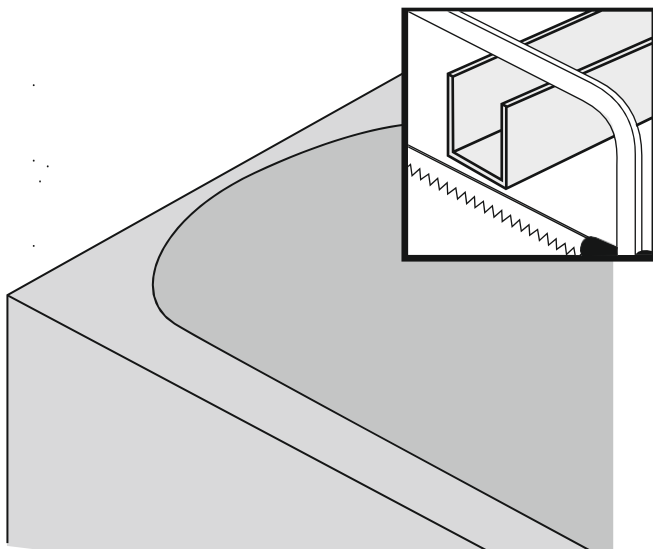
The panel can only be fitted one way. Measure from the edge of the glass to the bracket hole to determine which way up to fit.



- 5** Push the panel as far as it will go into the wall profile making sure it is plumb vertical. Pack it up with rubber strips under the glass if necessary, taking note of their positions. Make sure the glass is supported fully on the bare edge.

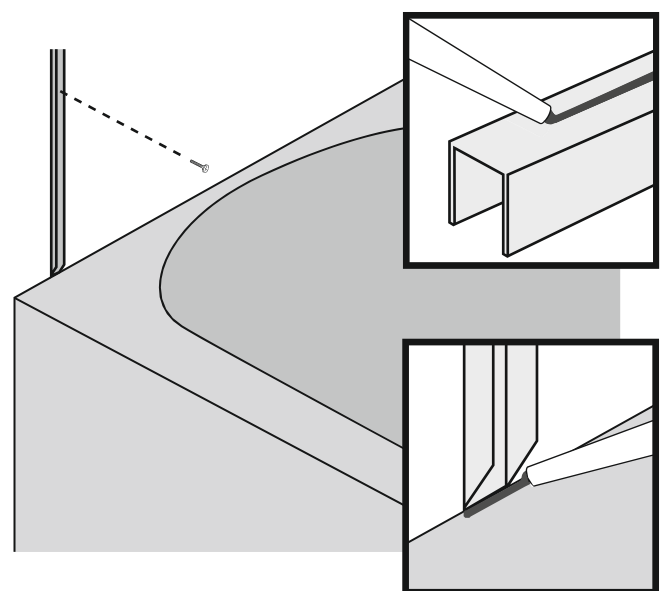
Using a metal scriber, mark the horizontal profile at the end of the glass and the vertical profile at the top of the glass, if necessary.

- 6** Disassemble the glass-to-wall brackets, being careful not to damage the faceplates. With the clear plastic gasket inserted between the glass and the bracket and wall screw plates facing inwards, align the brackets centrally to the holes in the glass return panel; hold them in place and mark the screw holes.



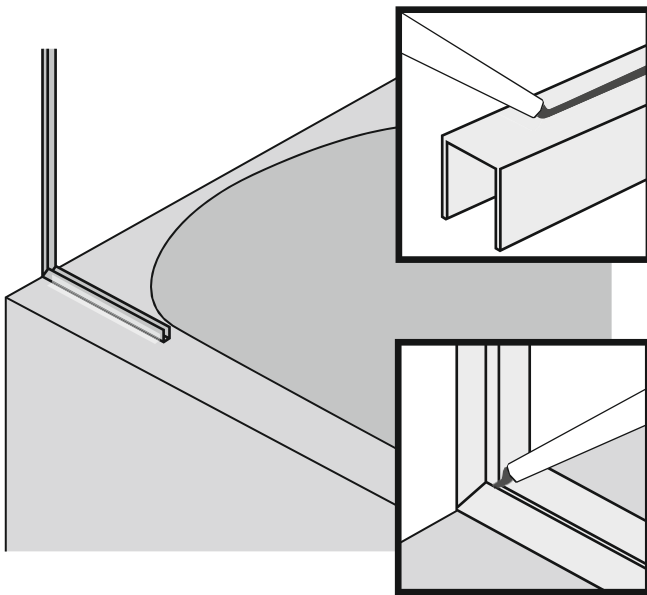
- 7** Put the brackets to one side and use the suction glass lifters to remove the glass fixed panel. Remove the horizontal profile; unscrew and remove the vertical wall profile.

Drill 7mm holes where marked on the wall; insert Rawl plugs. Cut horizontal and vertical profiles to length, then file smooth.



- 8** Run a bead of silicone along the wall side of the vertical wall profile, and screw it *fig* into place.

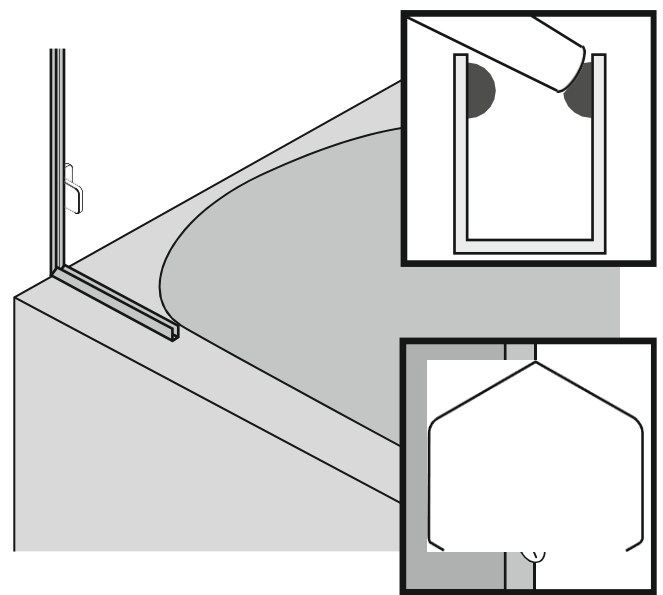
Run a fine bead of silicone along the corner joint between the lip of the bath and the wall.



9

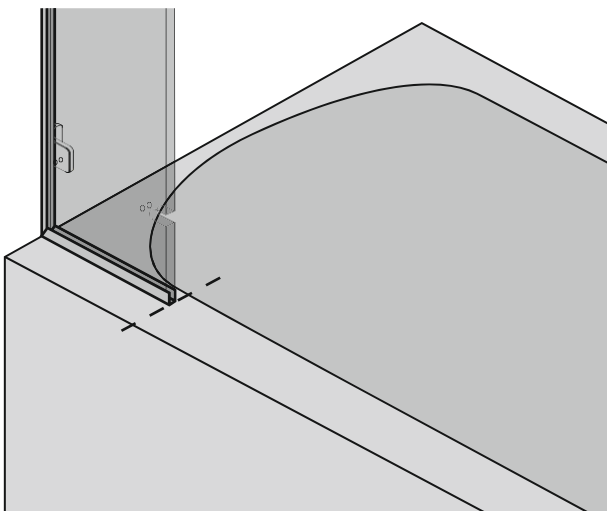
Run a bead of silicone along the base of the horizontal profile and reposition it on the bath; use the 10mm spacer to ensure it is aligned with the vertical wall profile and push the mitered ends together. Tape the horizontal profile into place.

Remove the 10mm spacer and apply a small amount of silicone to seal the corner joint. Cut the rubber strip to the length of the horizontal profile and insert it.



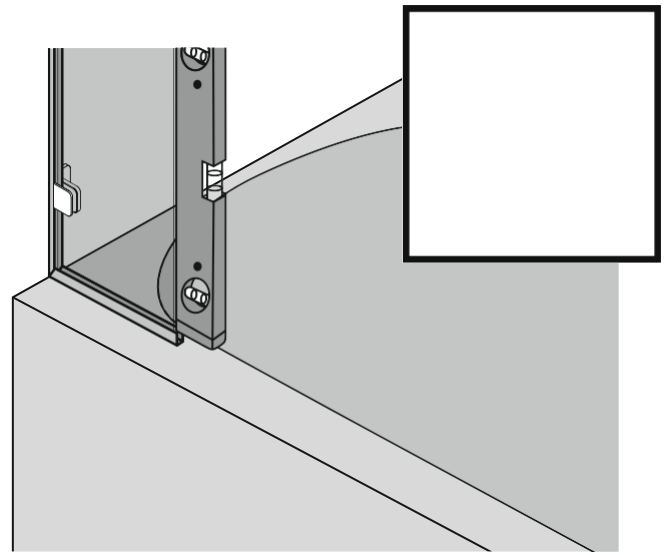
10

Loosely screw the 90° glass-to-wall brackets to the wall. Run beads of silicone along the inside of the vertical wall profile and the horizontal profile, as shown.



11

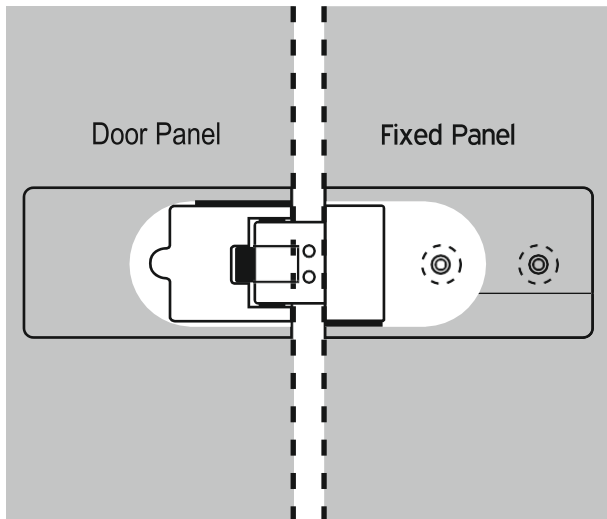
Using the suction glass lifters, replace the glass fixed panel into the silicone-lined profiles and bring it level with the end of the horizontal profile.



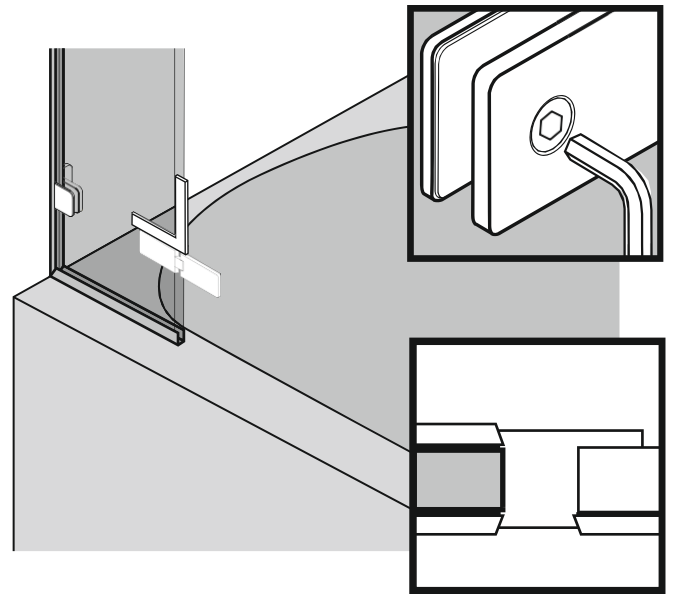
12

Loosely fix the faceplates to the glass-to-wall brackets through the holes in the glass, with the clear plastic gaskets inserted either side of the glass; fully tighten the wall screws.

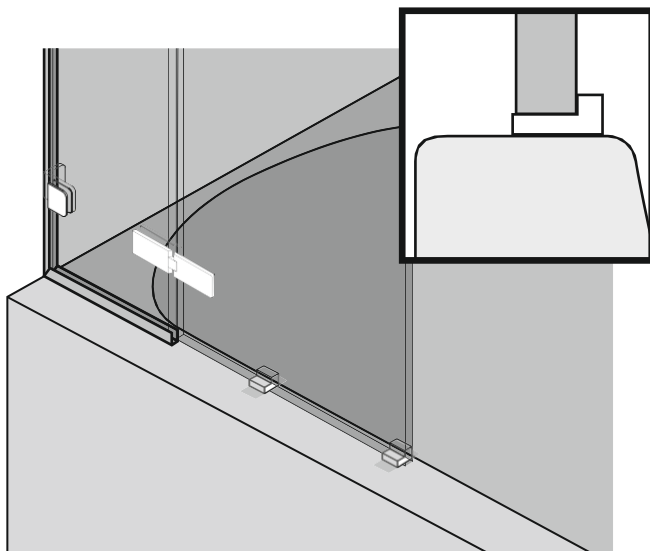
Ensure the glass fixed panel is plumb vertical, then fully tighten the glass-to-wall bracket faceplates.



13 Disassemble the hinges, being careful not to damage the faceplates. Place the hinges and faceplates either side of the hinge slots in the glass fixed panel, with gaskets inserted and Allen bolts facing inwards; loosely screw the hinges and faceplates together on the fixed panel.

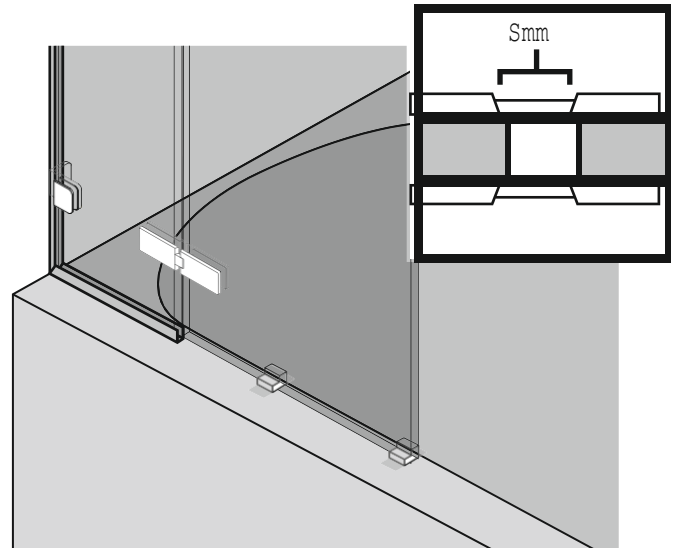


14 Use a setsquare to ensure the hinges are square to the edge of the glass; the gaskets should be neat and flush, and the end of the glass door should not protrude beyond the hinges. Tighten the Allen bolt to 12 Nm.

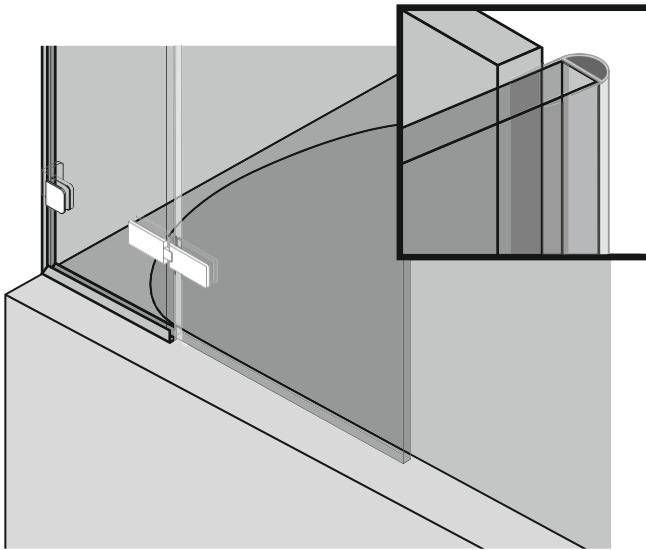


15 **!** Steps 13-14 require one person to support the glass door panel at all times.

Position the door mounting blocks on the lip of the bath; tape into place. Using the suction glass lifters, lift the glass door panel onto the mounting block and the hinges.

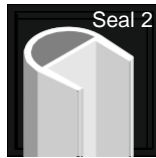


16 With the blocks inserted, loosely screw the hinges and faceplates together through the glass door panel slots. Adjust the door so it is level with the inside edge of the hinges, and there is a 5mm gap between the three glass panels. Tighten the Allen bolt to 12 Nm.

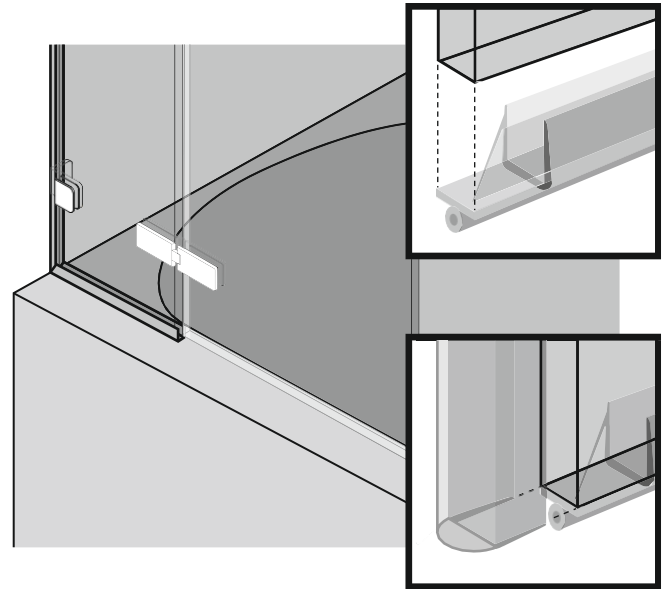


17

Seal 2 door-to-glass seal should be cut into three pieces to fit vertically above, between and below the hinges on the end of the door. Note: the seal should extend down below the bottom of the door to touch the lip of the bath.

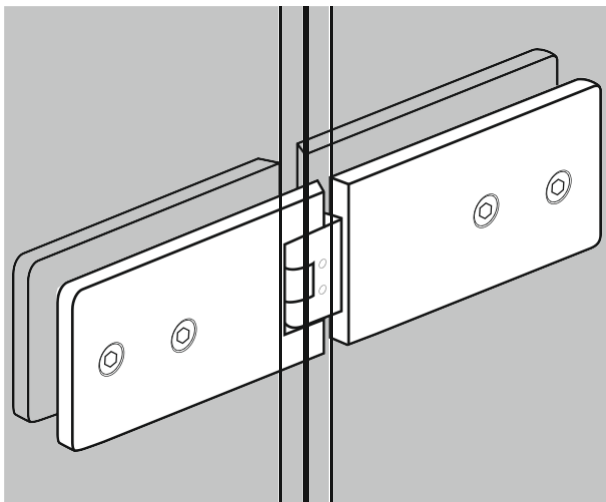


Open the door outwards and slide the sections into place on the door.



18

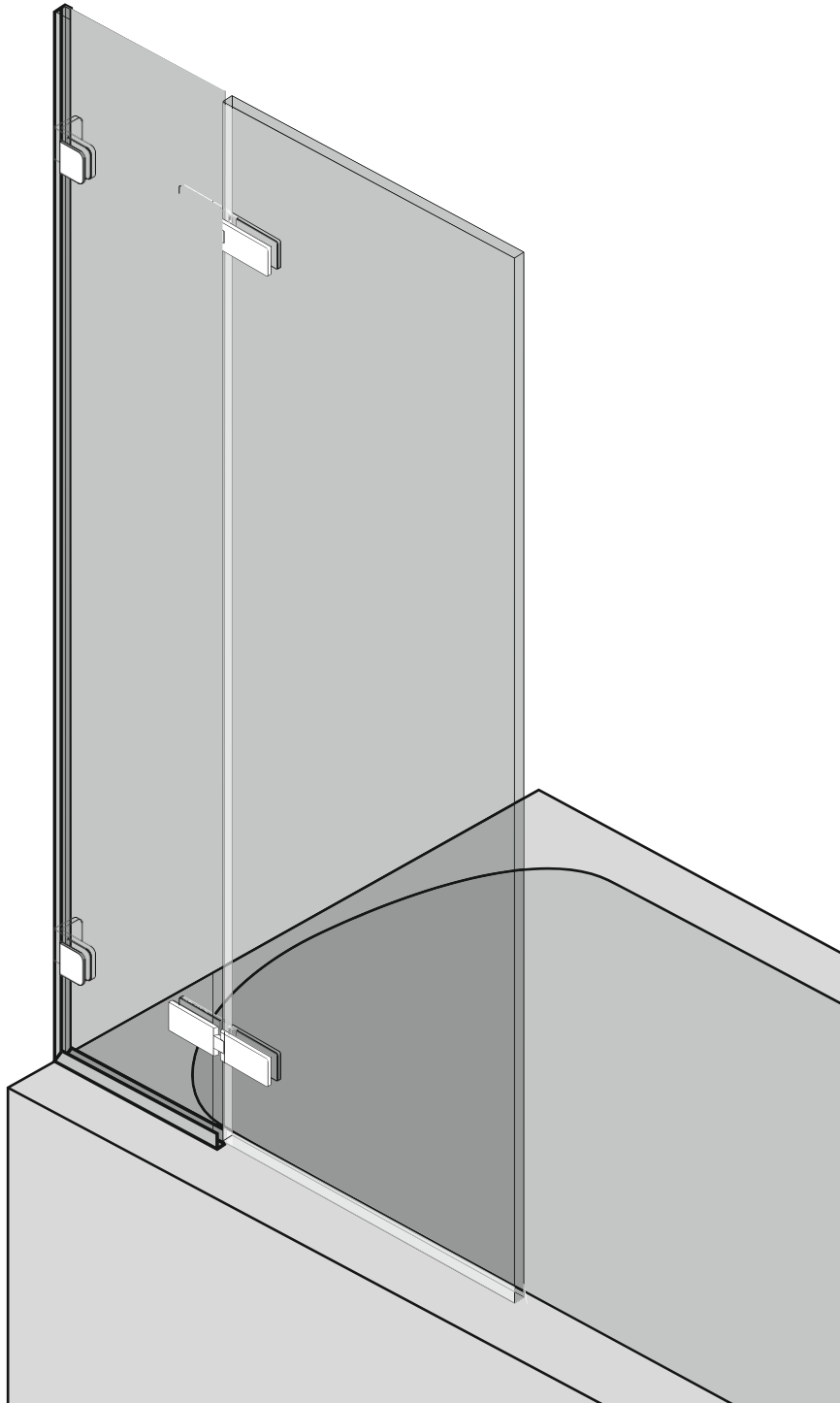
Mark the width of the glass door panel on Seal 0 under-door seal; cut the seal to length. Prepare the seal as shown to allow it to intersect with Seal 2 door-to-glass seal and slide it onto the bottom of the door and insert the extended Seal 2.



19

Make sure all screws and fittings are tightened to 12 Nm (especially the 4mm Allen bolts on the hinges).

Apply a dab of silicone to the screw covers and fit them over the exposed Allen bolts on the wall brackets. No caps are provided for the polished hinge Allen bolts.



MAJESTIC

The Majestic Shower Company Limited
17 Flitch Industrial Estate, Chelmsford Road,
Dunmow, CM6 1XJ

Telephone +44 (0) 8448 001 500
Facsimile +44 (0) 1279 635 074
info@majesticshowers.com www.majesticshowers.com